

Pos.	Description	Year	I_M	Country	Version	Code	Q.ty	P.Cod.
1	Drive shaft	-	-	-	-	GU19064161	1	
2	Plug	-	-	-	-	GU19065400	1	
3	Connecting rod	-	-	-	-	GU19061561	2	
4	Screw	-	-	-	-	GU19062261	4	
6	Bearing half-shell	-	-	-	-	GU27062060	4	
7	Front main half-bearing	-	-	-	-	GU27065660	2	
8	Rear main half-bearing	-	-	-	-	GU27066560	2	
9	Half-clamp	-	-	-	-	GU27066460	2	
10	Piston assy	-	-	-	-	GU23060271	2	
11	Slot piston ring	-	-	-	-	GU19060763	4	
12	Scraper ring	-	-	-	-	GU19061063	2	
13	Piston pin	-	-	-	-	GU19061263	2	
14	Stop ring	-	-	-	-	GU19061363	4	
16	Pistonring set	-	-	-	-	GU19060663	2	
17	Bushing	-	-	-	-	GU19061860	2	
18	Screw	-	-	-	-	GU19067700	6	
19	Washer 8,4X13X0,8	-	-	-	-	GU14615901	6	



65 GT 650 1987-1989

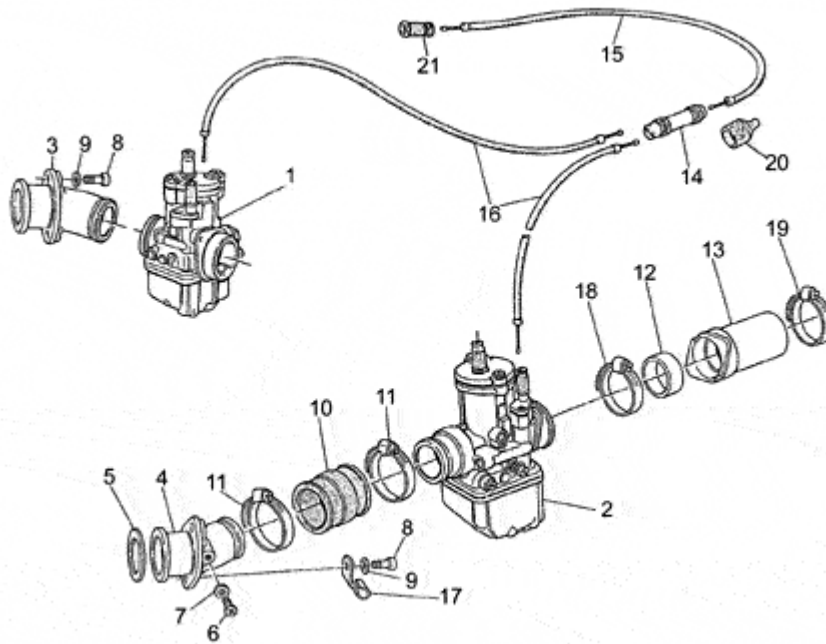
GU057

00

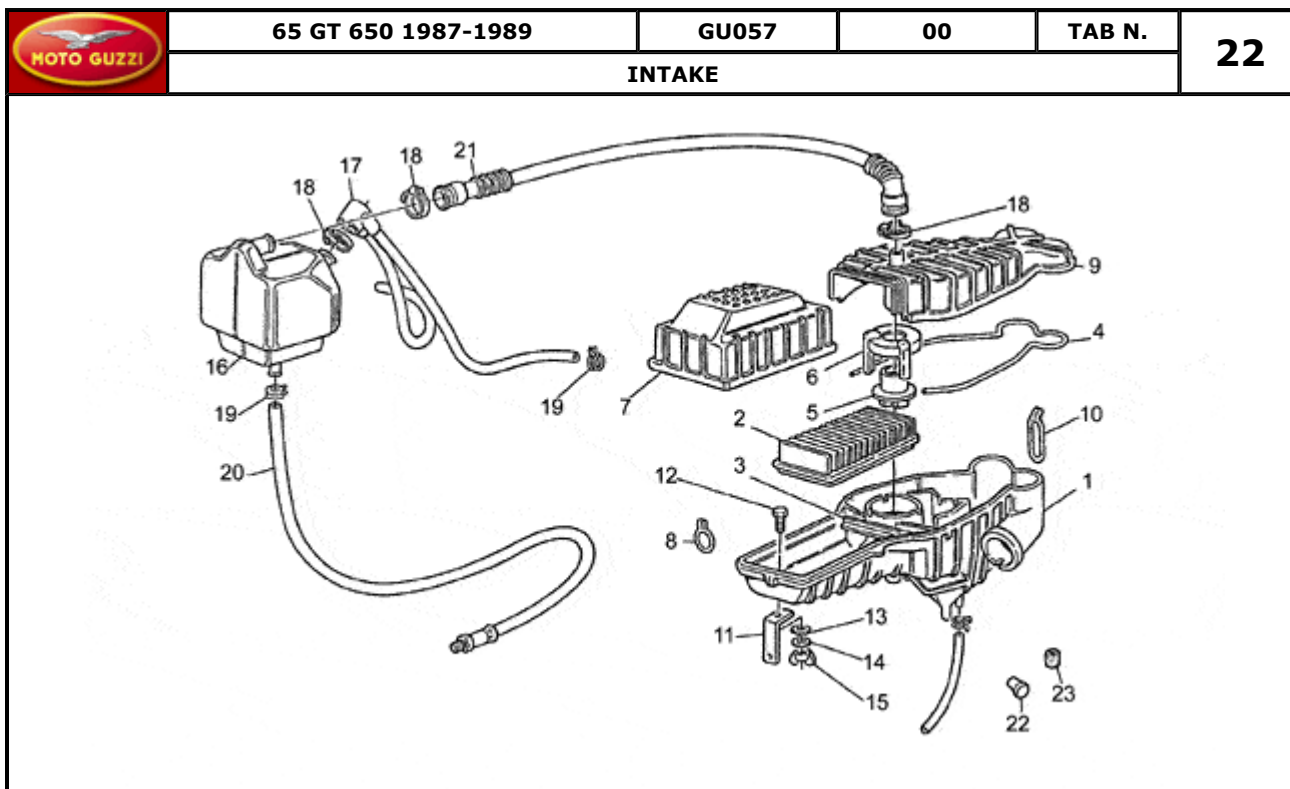
TAB N.

21

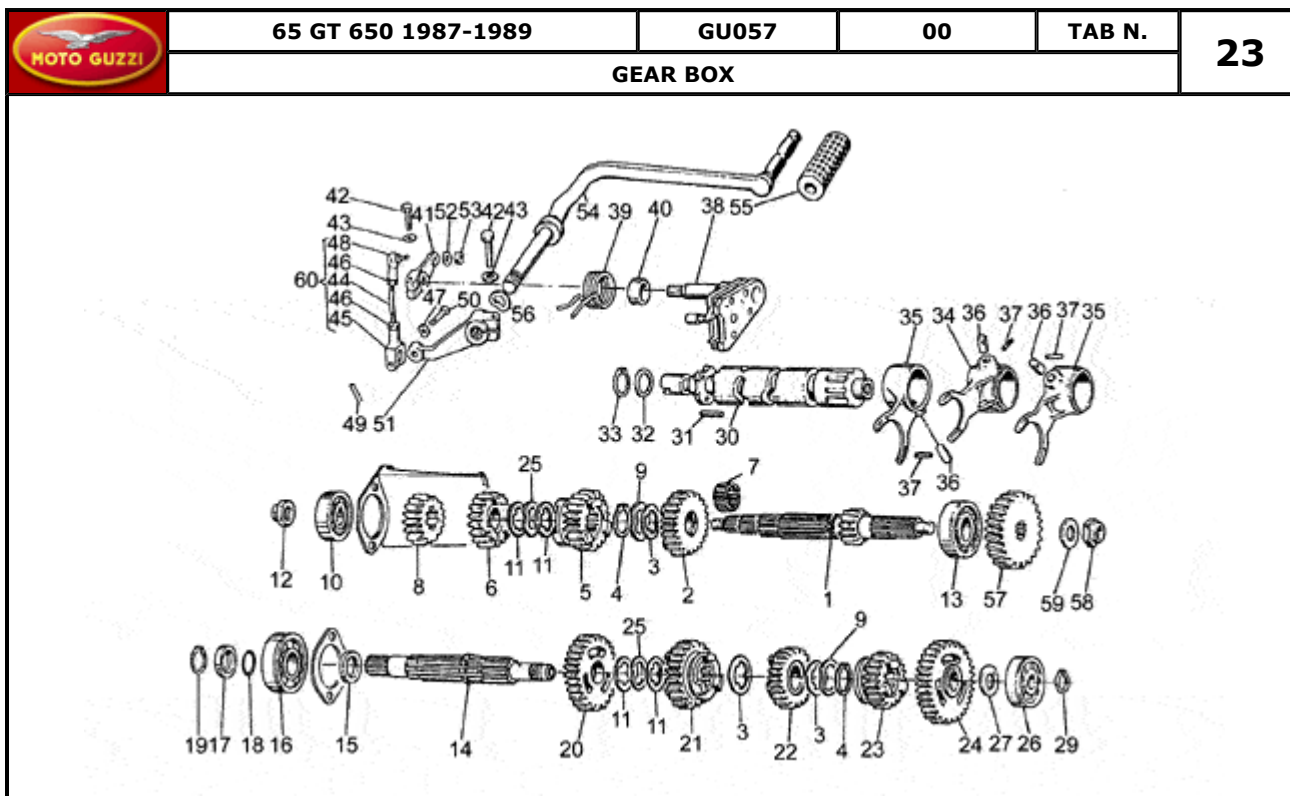
FUEL SUPPLY



Pos.	Description	Year	I_M	Country	Version	Code	Q.ty	P.Cod.
1	Carburettor RH PHBH 30BD	-	-	-	-	GU23112674	1	
2	Carburettor LH PHBH 30BS	-	-	-	-	GU23112675	1	
3	RH manifold	-	-	-	-	GU19115060	1	
4	LH manifold	-	-	-	-	GU19115061	1	
5	Gasket	-	-	-	-	GU19115580	2	
6	Screw	-	-	-	-	GU98310610	2	
7	Washer 6,25x10x1,5	-	-	-	-	GU95100116	2	
8	Screw	-	-	-	-	GU98822325	4	
9	Special washer	-	-	-	-	GU61013800	4	
10	Hose	-	-	-	-	GU19114360	2	
11	Hose clamp 32X52X8	-	-	-	-	GU93305032	4	
12	Gasket ring	-	-	-	-	GU19114680	2	
13	Air intake hose	-	-	-	-	GU19114460	2	
14	Splitter	-	-	-	-	GU30607910	1	
15	Choke cable	-	-	-	-	GU23132810	1	
16	Choke cable	-	-	-	-	GU27133515	2	
17	Hose clamp	-	-	-	-	GU19718000	2	
18	Hose clamp	-	-	-	-	GU93305045	2	
19	Hose clamp	-	-	-	-	GU93305052	2	
20	Cap	-	-	-	-	GU12717600	1	
21	Rubber spacer	-	-	-	-	GU29132750	1	

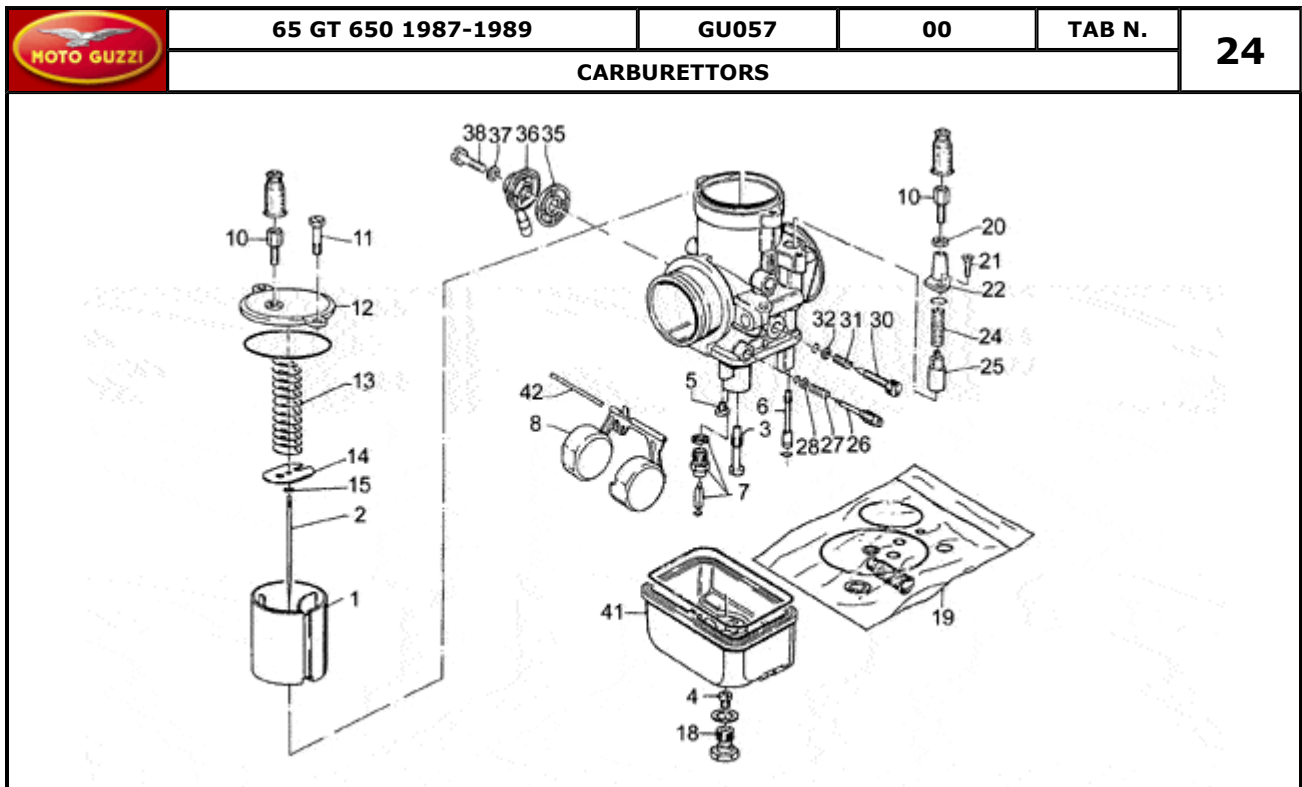


Pos.	Description	Year	I_M_	Country	Version	Code	Q.ty	P.Cod.
1	Lower side filter case	-	-	-	-	GU19114060	1	
2	Air filter	-	-	-	-	GU28113650	1	
3	Bracket	-	-	-	-	GU19112960	1	
4	Gasket	-	-	-	-	GU19113960	1	
5	Protection	-	-	-	-	GU19111060	1	
6	Cover	-	-	-	-	GU19111160	1	
7	Filter cover	-	-	-	-	GU19113760	1	
8	Short spring	-	-	-	-	GU31110715	3	
9	Upper side filter case	-	-	-	-	GU19113460	1	
10	Lenght spring	-	-	-	-	GU31110815	1	
11	Air filter support	-	-	-	-	GU31114165	1	
12	Screw	-	-	-	-	GU98054214	1	
13	Notched washer	-	-	-	-	GU95021105	1	
14	Washer	-	-	-	-	GU95000205	1	
15	Nut	-	-	-	-	GU92670305	1	
16	Housing	-	-	-	-	GU31153481	1	
17	Breather	-	-	-	-	GU27159661	1	
18	Hose clamp	-	-	-	-	GU93305018	3	
19	Hose clamp	-	-	-	-	GU61108400	3	
20	Breather	-	-	-	-	GU27159360	1	
21	Pipe	-	-	-	-	GU27157420	1	
22	Lockup rubber	-	-	-	-	GU19433000	1	
23	Rubber spacer	-	-	-	-	GU14423800	1	

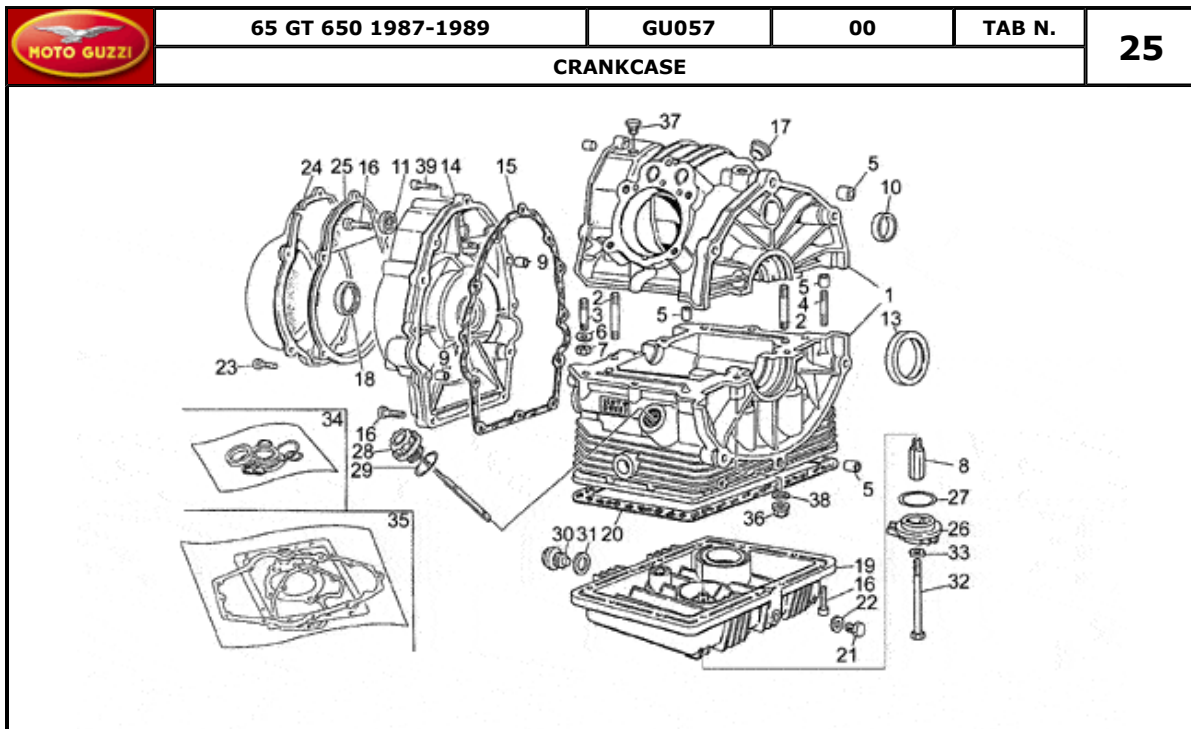


Pos.	Description	Year	I_M	Country	Version	Code	Q.ty	P.Cod.
1	Primary gear shaft Z=11	-	-	-	-	GU19210561	1	
2	Gear 5a AP Z=20	-	-	-	-	GU19212061	1	
3	Thrust washer	-	-	-	-	GU19215460	3	
4	Circlip	-	-	-	-	GU90271127	2	
5	Gear 4a AP Z=18	-	-	-	-	GU19211861	1	
6	Gear 3a AP Z=18	-	-	-	-	GU19211460	1	
7	Roller cage	-	-	-	-	GU92251023	1	
8	Gear 2a AP Z=14	-	-	-	-	GU19211361	1	
9	Washer	-	-	-	-	GU19218062	2	
10	Bearing AP 17x40x17,5	-	-	-	-	GU92218417	1	
11	Clearance washer	-	-	-	-	GU19214660	4	
12	Nut	-	-	-	-	GU10054100	1	
13	Bearing AP 20x37x17	-	-	-	-	GU92230320	1	
14	Driven shaft	-	-	-	-	GU19213661	1	
15	Spacer	-	-	-	-	GU19212900	1	
16	Bearing 20X47X14	-	-	-	-	GU92201220	1	
17	Spacer	-	-	-	-	GU19213720	1	
18	Gasket ring 18,77X1,78	-	-	-	-	GU90706188	1	
19	Circlip	-	-	-	-	GU90271121	1	
20	Gear 2a AS Z=23	-	-	-	-	GU23214571	1	
21	Gear 3a AS Z=23	-	-	-	-	GU19214860	1	
22	Gear 4a AS Z=19	-	-	-	-	GU19215161	1	
23	Gear 5a AS Z=18	-	-	-	-	GU19215261	1	
24	Gear 1a AS Z=26	-	-	-	-	GU19214063	1	
25	Washer	-	-	-	-	GU19218061	2	
26	Bearing	-	-	-	-	GU92234716	1	
27	Spacer 2,1 mm	-	-	-	-	GU10214305	1	
	Washer 2 mm	-	-	-	-	GU10214304	1	
	Spacer 1,7 mm	-	-	-	-	GU10214301	1	
	Spacer 1,8 mm	-	-	-	-	GU10214302	1	
	Spacer 1,9 mm	-	-	-	-	GU10214303	1	
29	Circlip	-	-	-	-	GU90271117	1	
30	Shift cam	-	-	-	-	GU19234420	1	

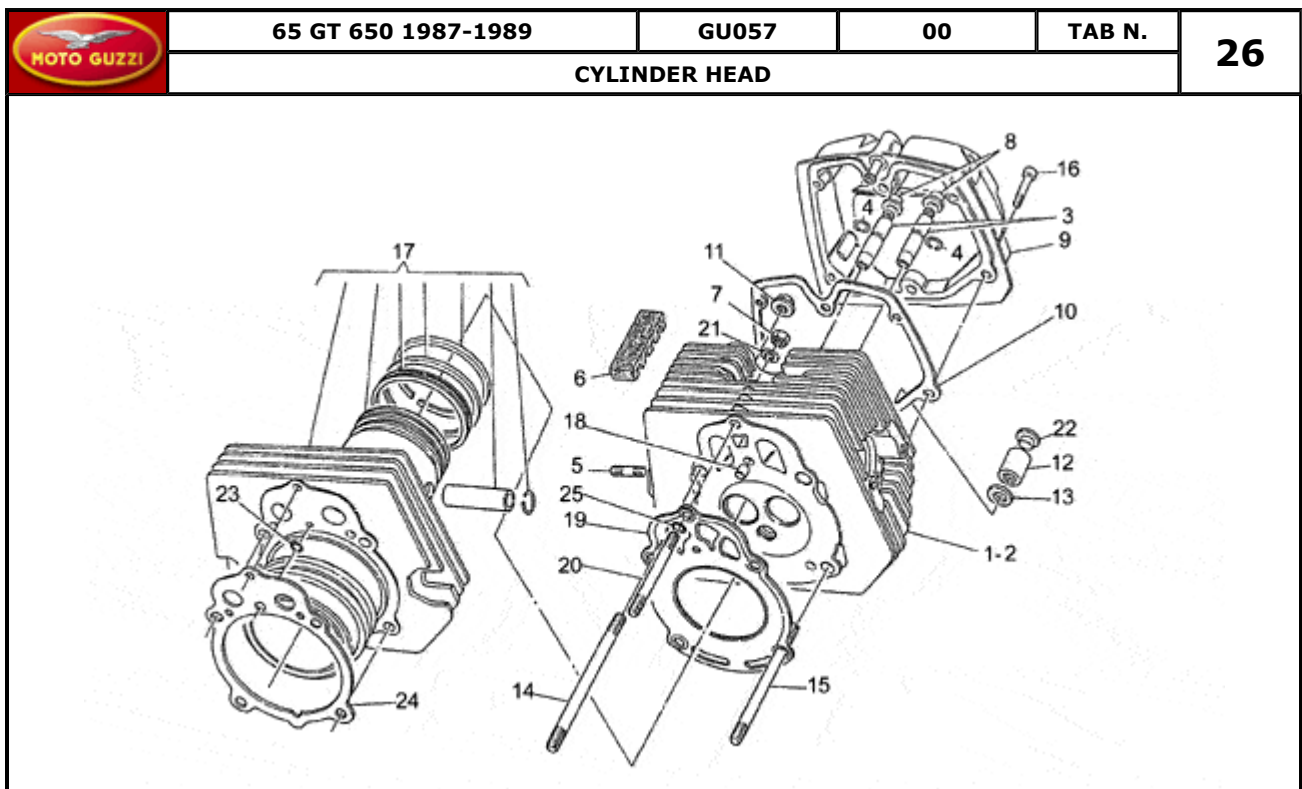
31	Pin	-	-	-	-	-	GU19234600	4
32	Washer	-	-	-	-	-	GU19355360	1
33	Snap ring	-	-	-	-	-	GU90271020	1
34	Fork AP	-	-	-	-	-	GU19231220	1
35	Fork AS	-	-	-	-	-	GU19231020	2
36	Roller	-	-	-	-	-	GU92297909	3
37	Pin	-	-	-	-	-	GU95520316	3
38	Pre-selector kit	-	-	-	01397N	-	GU20999520	1
39	Spring	-	-	-	-	-	GU61238200	1
40	Bush	-	-	-	-	-	GU91182010	1
41	Shift lever	-	-	-	-	-	GU19258220	1
42	Screw	-	-	-	-	-	GU98052325	2
43	Notched washer	-	-	-	-	-	GU95021106	2
44	Tie rod	-	-	-	-	-	GU18257950	1
45	Fork	-	-	-	-	-	GU12626800	1
46	Nut	-	-	-	-	-	GU92602206	2
47	Washer	-	-	-	-	-	GU95129110	1
48	Ball joint	-	-	-	-	-	GU18258101	1
49	Split pin	-	-	-	-	-	GU95500222	1
50	Pin	-	-	-	-	-	GU95770265	1
51	Lever	-	-	-	-	-	GU19256920	1
52	Special washer	-	-	-	-	-	GU61013800	1
53	Nut M6x1	-	-	-	-	-	GU92630106	1
54	Complete gearchange lever	-	-	-	-	-	GU19250900	1
55	Rubber spacer	-	-	-	-	-	GU14251001	1
56	Spring washer	-	-	-	-	-	GU95129260	1
57	Gear Z=22	-	-	-	-	-	GU19211160	1
58	Nut	-	-	-	-	-	GU10054100	1
59	Clearance washer	-	-	-	-	-	GU39238100	1
60	Change gear tie rod compl.	-	-	-	-	-	GU19257701	1




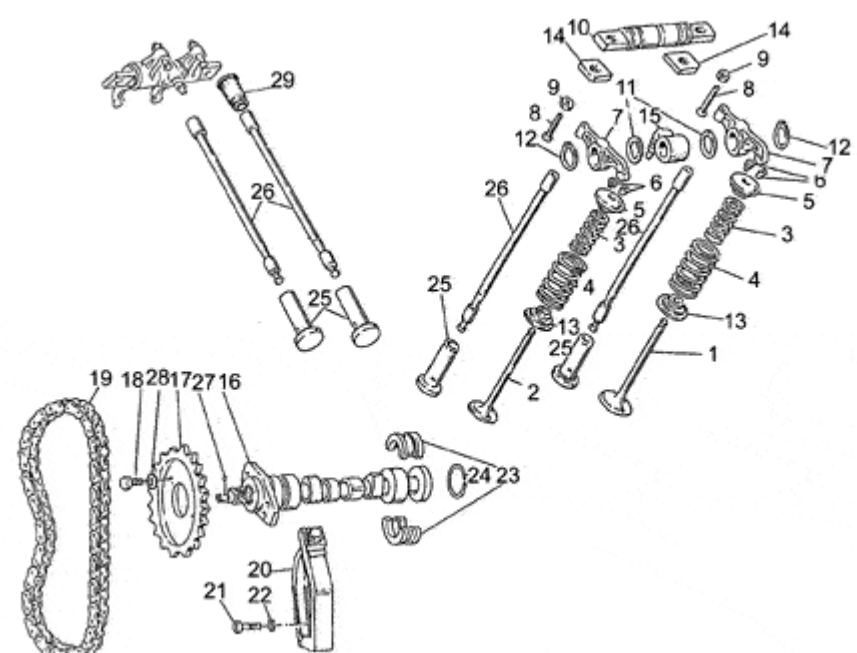
Pos.	Description	Year	I_M_	Country	Version	Code	Q.ty	P.Cod.
1	Gas valve 45	-	-	-	-	GU23934870	2	
2	Conical pin 8	-	-	-	-	GU19934960	2	
3	Needle valve 268T	-	-	-	-	GU19935580	2	
4	Main jet 105	-	-	-	-	GU19935750	2	
5	Idle jet 38	-	-	-	-	GU27935960	2	
6	Starter jet 60	-	-	-	-	GU19936000	2	
7	Needle valve	-	-	-	-	GU19934600	2	
8	Float gr.9,5	-	-	-	-	GU27934315	2	
10	Wire tensioner screw	-	-	-	-	GU12937200	4	
11	Screw	-	-	-	-	GU14934650	2	
12	Cover	-	-	-	-	GU19935080	2	
13	Gas valve return spring	-	-	-	-	GU19937180	2	
14	Plate	-	-	-	-	GU19938580	2	
15	Conical pin clip	-	-	-	-	GU65933600	2	
18	Plug with OR	-	-	-	-	GU10933700	2	
19	Gaskets set	-	-	-	-	GU19939980	1	
20	Nut	-	-	-	-	GU19938880	4	
21	Screw	-	-	-	-	GU13937900	2	
22	Starter device cover	-	-	-	-	GU17937450	2	
24	Valve spring	-	-	-	-	GU39937600	2	
25	Starter valve	-	-	-	-	GU13937800	2	
26	Adj.min.eng.speed screw	-	-	-	-	GU13936200	2	
27	Spring	-	-	-	-	GU13936300	2	
28	Flat washer	-	-	-	-	GU65933700	2	
30	Gas valve adjuster screw	-	-	-	-	GU13936600	2	
31	Spring	-	-	-	-	GU13936700	2	
32	Flat washer	-	-	-	-	GU14931650	2	
35	Fuel filter	-	-	-	-	GU43934000	2	
36	Fuel pipe union cap	-	-	-	-	GU13934600	2	
37	Gasket	-	-	-	-	GU13934700	2	
38	Cap fixing screw	-	-	-	-	GU10934900	2	
41	Aluminium float chamber	-	-	-	-	GU19934480	2	
42	Float pin	-	-	-	-	GU13933100	2	


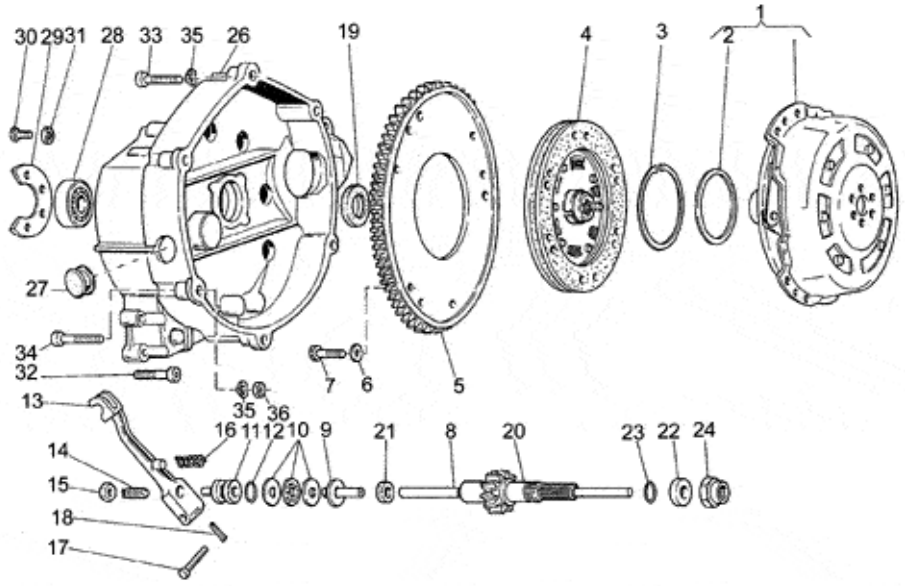


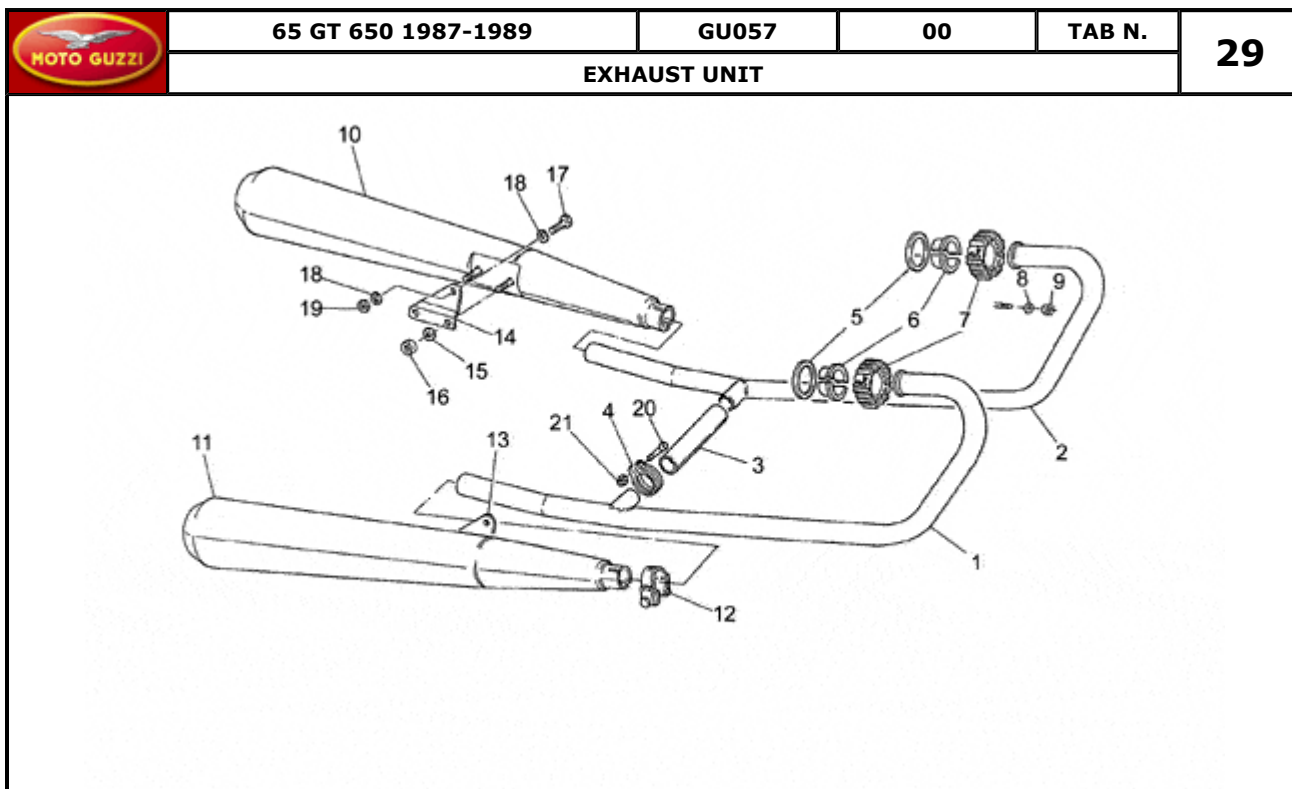
Pos.	Description	Year	I_M	Country	Version	Code	Q.ty	P.Cod.
1	Crankcase, grey	-	-	-	-	GU20000320	1	
2	Stud bolt	-	-	-	-	GU96451560	4	
3	Stud bolt	-	-	-	-	GU96451430	4	
4	Stud bolt	-	-	-	-	GU96508055	2	
5	Bush	-	-	-	-	GU19015020	4	
6	Spring washer 8x15x0,3	-	-	-	-	GU61270300	6	
7	Nut	-	-	-	-	GU92601208	6	
8	Union	-	-	-	-	GU19003800	1	
9	Bush 6,6x9x13	-	-	-	-	GU19002020	2	
10	Plug	-	-	-	-	GU19016320	1	
11	Gasket ring	-	-	-	-	GU90401530	1	
13	Gasket ring	-	-	-	-	GU90405367	1	
14	Cover grey	-	-	-	-	GU31001480	1	
15	Gasket	-	-	-	-	GU19001200	1	
16	Hex socket screw M6X25	-	-	-	-	GU98622325	22	
17	Plug	-	-	-	-	GU19017120	1	
18	Gasket ring	-	-	-	-	GU90402038	1	
19	Motor oil cup	-	-	-	-	GU19003502	1	
20	Gasket	-	-	-	-	GU19003602	1	
21	Oil level plug	-	-	-	-	GU95980214	1	
22	Gasket	-	-	-	-	GU10528900	1	
23	Screw M6X35	-	-	-	-	GU98620335	5	
24	Cover	-	-	-	-	GU27001636	1	
25	Flange	-	-	-	-	GU27001136	1	
26	Cover, blank	-	-	-	-	GU19003400	1	
27	O-ring	-	-	-	-	GU90706444	1	
28	Oil filler plug	-	-	-	-	GU19004920	1	
29	Gasket ring	-	-	-	-	GU90706282	1	
30	Oil unload plug	-	-	-	-	GU12003702	1	
31	Gasket 20,1x28x2	-	-	-	-	GU95100709	1	
32	Screw m8x90	-	-	-	-	GU98052490	1	
33	Gasket 8,25x15x1	-	-	-	-	GU12154200	1	
34	Oil seals - set	-	-	-	-	GU31999565	1	
35	Gasket set	-	-	-	-	GU27999060	1	
36	Column nut	-	-	-	-	GU92660010	4	
37	Plug	-	-	-	-	GU19015460	1	
38	Washer 10,5X18X0,8	-	-	-	-	GU95129180	4	
39	Screw M6X30	-	-	-	-	GU98620330	2	



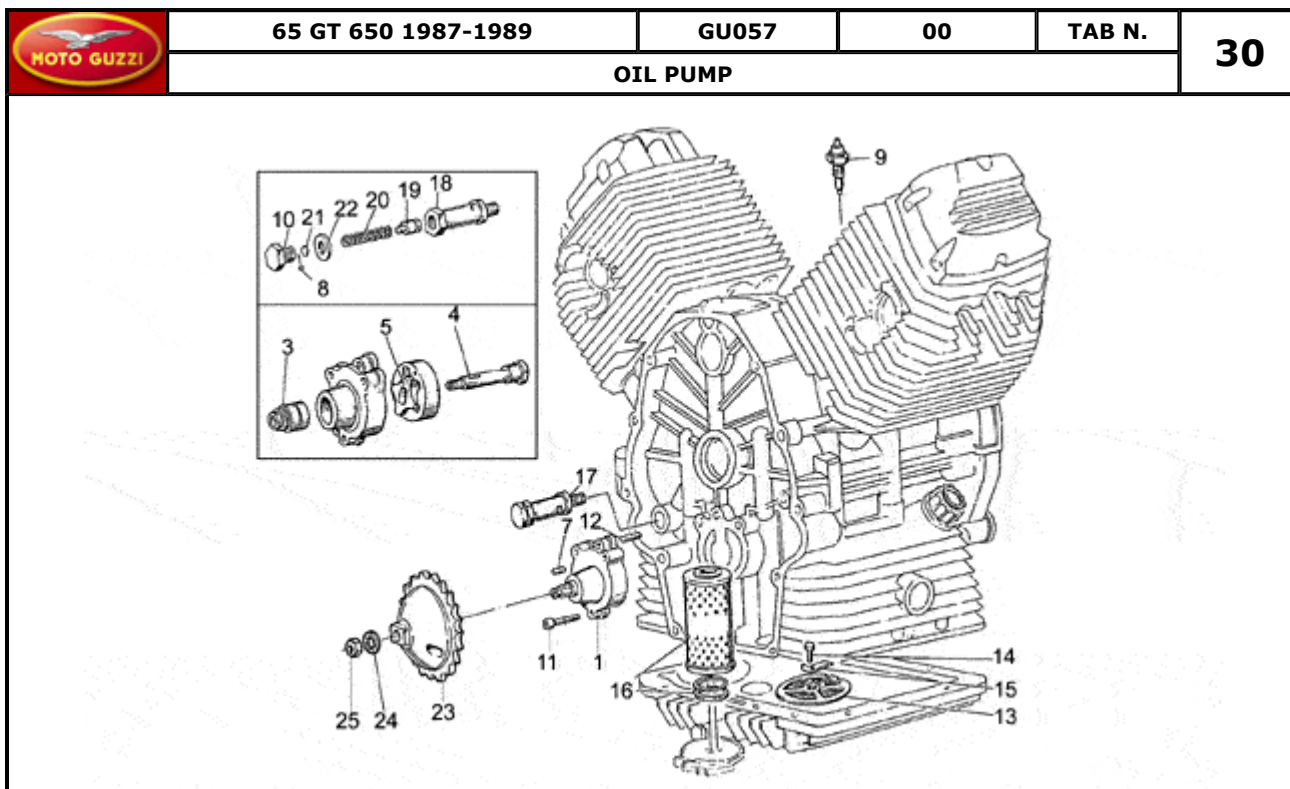
Pos.	Description	Year	I_M	Country	Version	Code	Q.ty	P.Cod.
1	RH head	-	-	-	-	GU19022180	1	
2	LH head	-	-	-	-	GU19022280	1	
3	Valve guide	-	-	-	-	GU61036801	4	
4	Snap ring	-	-	-	-	GU90353009	4	
5	Stud bolt	-	-	-	-	GU96506042	4	
6	Anti-vibration plate	-	-	-	-	GU19025300	4	
7	Nut	-	-	-	-	GU19021920	2	
8	Oil seal	-	-	-	-	GU19037820	4	
9	Valves cover	-	-	-	-	GU19023520	2	
10	Gasket	-	-	-	-	GU19023700	2	
11	Column nut	-	-	-	-	GU92660010	4	
12	Column nut	-	-	-	-	GU13021900	4	
13	Washer 10,5X18X0,8	-	-	-	-	GU95129180	4	
14	Tie rod	-	-	-	-	GU96510200	4	
15	Tie rod 143 mm	-	-	-	-	GU96510143	4	
16	Screw	-	-	-	-	GU98610325	12	
17	Cylinder with piston	-	-	-	-	GU23060190	2	
18	Bush	-	-	-	-	GU19021360	2	
19	Gasket	-	-	-	-	GU27022060	2	
20	Tie rod	-	-	-	-	GU96508125	2	
21	Spring washer 8x15x0,3	-	-	-	-	GU61270300	2	
22	Plug	-	-	-	-	GU93180245	4	
23	O-ring	-	-	-	-	GU61027200	2	
24	Gasket	-	-	-	-	GU27020820	2	
25	O-ring	-	-	-	-	GU90706076	2	

		65 GT 650 1987-1989		GU057	00	TAB N.	27	
		TIMING SYSTEM						
								
Pos.	Description	Year	I_M	Country	Version	Code	Q.ty	P.Cod.
1	Intake valve	-	-	-	-	GU19036082	2	
2	Exhaust valve	-	-	-	-	GU19036183	2	
3	Spring	-	-	-	-	GU61037600	4	
4	Spring	-	-	-	-	GU61037500	4	
5	Upper cup	-	-	-	-	GU61038000	4	
6	Half-cone	-	-	-	-	GU61038100	8	
7	Rocker arm assy.	-	-	-	-	GU19030500	4	
8	Screw	-	-	-	-	GU19034000	4	
9	Nut M6x1	-	-	-	-	GU92602406	4	
10	Rocker shaft	-	-	-	-	GU19032080	2	
11	Thrust washer	-	-	-	-	GU19032380	4	
12	Circlip	-	-	-	-	GU90271018	4	
13	Lower cup	-	-	-	-	GU61037000	4	
14	Spacer	-	-	-	-	GU19032980	4	
15	Hose	-	-	-	-	GU19027500	2	
16	Camshaft	-	-	-	-	GU27053362	1	
17	Timing system gear	-	-	-	-	GU19054521	1	
18	Bolt	-	-	-	-	GU61054900	2	
19	Camshaft chain	-	-	-	-	GU19058021	1	
20	Chain stretching drive	-	-	-	-	GU19058220	1	
21	Screw	-	-	-	-	GU98822316	1	
22	Washer	-	-	-	-	GU95129115	1	
23	Sector	-	-	-	-	GU19055700	2	
24	Snap ring	-	-	-	-	GU90353029	1	
25	Tappet	-	-	-	-	GU19045861	4	
26	Rocker arm rod	-	-	-	-	GU19045060	4	
27	Roller	-	-	-	-	GU95512035	1	
28	Safety washer	-	-	-	-	GU23217800	2	
29	Cap	-	-	-	-	GU27045420	4	

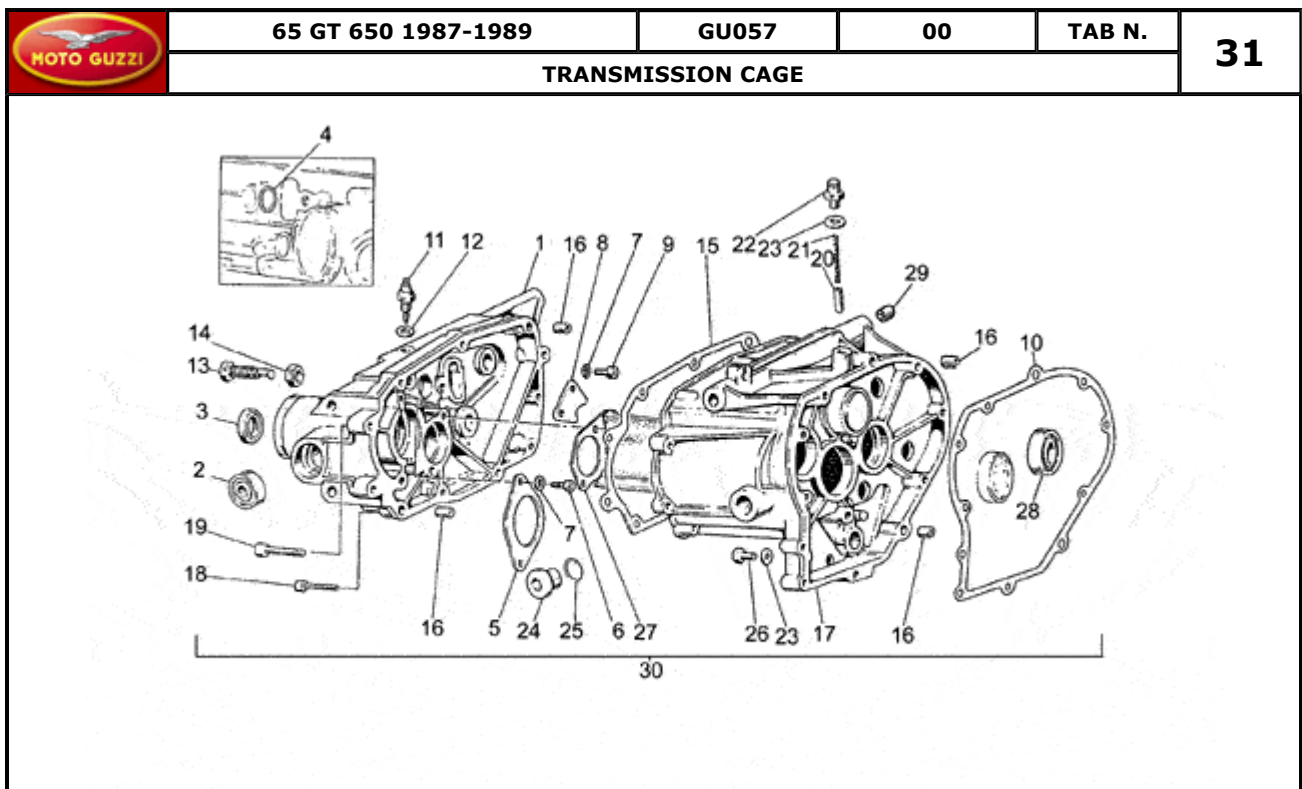
		65 GT 650 1987-1989	GU057	00	TAB N.	28		
CLUTCH								
								
Pos.	Description	Year	I_M_	Country	Version	Code	Q.ty	P.Cod.
1	Clutch AP	-	-	-	-	GU27080160	1	
2	New cup type	-	-	-	-	GU19083462	1	
3	Snap ring	-	-	-	-	GU90272075	1	
4	Driven clutch disc	-	-	-	-	GU27084460	1	
5	Chain ring MOTOPLAT	-	-	-	-	GU19067900	1	
6	Washer 6,4x10x0,7	-	-	-	-	GU14217901	6	
7	Hex screw M6X16	-	-	-	-	GU98054316	6	
8	Rod	-	-	-	-	GU20085720	1	
9	Inner body	-	-	-	-	GU14086000	1	
10	Thrust bearing	-	-	-	-	GU12087001	1	
11	Outer body	-	-	-	-	GU14086100	1	
12	O-ring 17,13x2,62	-	-	-	-	GU90706170	1	
13	Clutch release shaft	-	-	-	-	GU14090201	1	
14	Adjuster screw	-	-	-	-	GU14090400	1	
15	Nut M8X1	-	-	-	-	GU92602508	1	
16	Lever return spring	-	-	-	-	GU94321105	1	
17	Pin 7x39	-	-	-	-	GU95780271	1	
18	Split pin	-	-	-	-	GU95500222	1	
19	Gasket ring	-	-	-	-	GU90403245	1	
20	Transmission shaft Z=15	-	-	-	-	GU19210760	1	
21	Gasket ring 6x16x7	-	-	-	-	GU90400616	1	
22	Spacer	-	-	-	-	GU19213760	1	
23	O-ring 23,52x1,78	-	-	-	-	GU90706235	1	
24	Nut	-	-	-	-	GU19356760	1	
26	Clutch drum	-	-	-	-	GU19200462	1	
27	Plug	-	-	-	-	GU93180220	1	
28	Bearing 25x52x15	-	-	-	-	GU92201225	1	
29	Bearing fixing plate	-	-	-	-	GU19203460	1	
30	Screw	-	-	-	-	GU98054314	3	
31	Washer 6,4x10x0,7	-	-	-	-	GU14217901	3	
32	Screw M6X30	-	-	-	-	GU98620330	11	
33	Screw M8X35	-	-	-	-	GU98620435	5	
34	Screw	-	-	-	-	GU98620450	1	
35	Spring washer 8x15x0,3	-	-	-	-	GU61270300	6	
36	Nut M8X1,25	-	-	-	-	GU92602208	1	



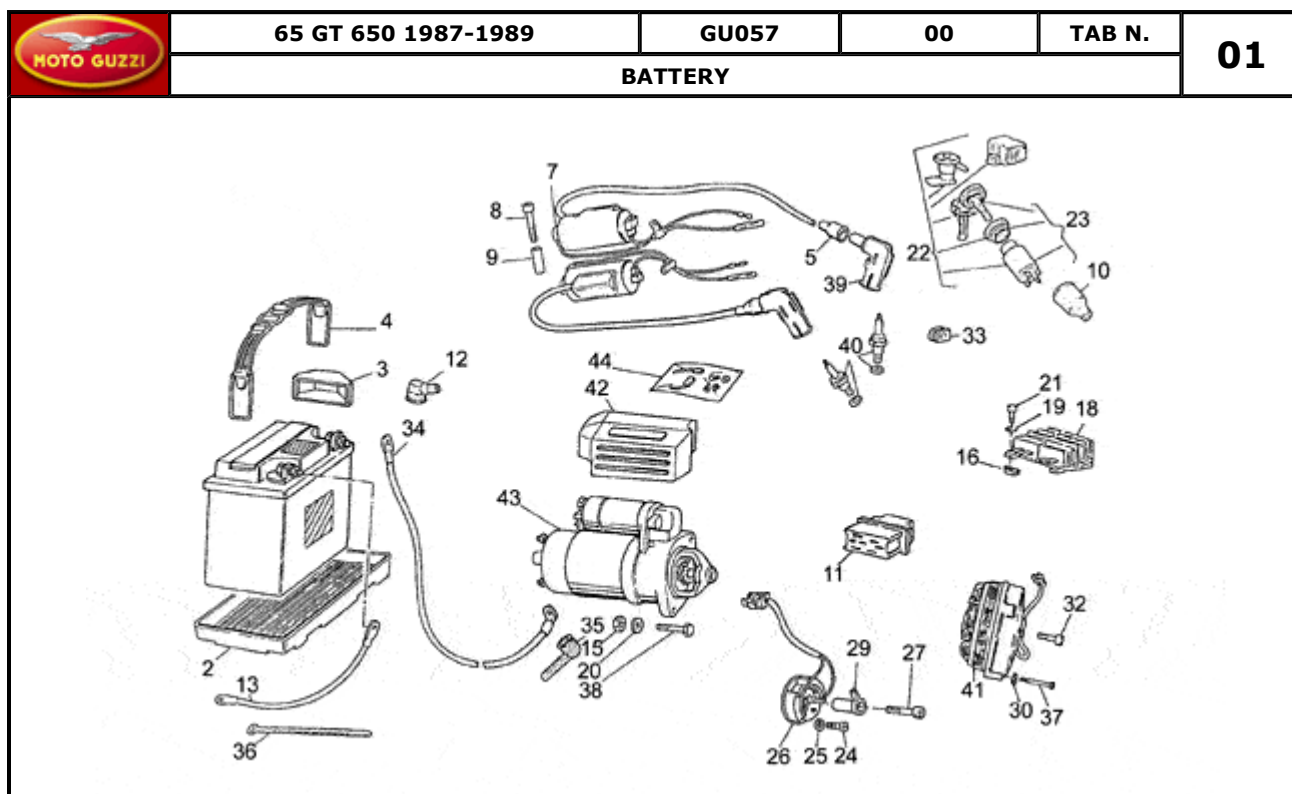
Pos.	Description	Year	I_M_	Country	Version	Code	Q.ty	P.Cod.
1	RH exhaust pipe	-	-	-	-	GU19120765	1	
2	LH exhaust pipe	-	-	-	-	GU19120766	1	
3	Exhaust pipe	-	-	-	-	GU19121135	1	
4	Hose clamp	-	-	-	-	GU61126920	2	
5	Gasket	-	-	-	-	GU19025280	2	
6	Spacer	-	-	-	-	GU61025400	4	
7	Exhaust ring nut	-	-	-	-	GU19121050	2	
8	Special washer	-	-	-	-	GU61013800	4	
9	Nut	-	-	-	-	GU92701062	4	
10	LH silencer	-	-	-	-	GU19122960	1	
11	RH silencer	-	-	-	-	GU19123060	1	
12	Hose clamp	-	-	-	-	GU14126900	2	
13	RH plate	-	-	-	-	GU19128660	1	
14	LH plate	-	-	-	-	GU19128760	1	
15	Spring washer 8x15x0,3	-	-	-	-	GU61270300	4	
16	Nut M8X1,25	-	-	-	-	GU92602208	4	
17	Hex screw M10X22	-	-	-	-	GU98054522	2	
18	Notched washer	-	-	-	-	GU95022110	4	
19	Nut	-	-	-	-	GU92602410	2	
20	Screw	-	-	-	-	GU61127520	2	
21	Ring nut	-	-	-	-	GU61127220	2	



Pos.	Description	Year	I_M	Country	Version	Code	Q.ty	P.Cod.
1	Oil pump	-	-	-	-	GU19146422	1	
3	Roller bearing 10x22x20	-	-	-	-	GU92252210	1	
4	Oil pump shaft assy.	-	-	-	-	GU19147820	1	
5	Inner rotor	-	-	-	-	GU19148420	1	
7	Guide roller	-	-	-	-	GU92296726	1	
8	Ball	-	-	-	-	GU92295911	1	
9	Pressure sensor	-	-	-	02201N	GU31999581	1	
10	Plug	-	-	-	-	GU12159000	1	
11	Screw M6X35	-	-	-	-	GU98620335	3	
12	Pin	-	-	-	-	GU19018920	2	
13	Oil filter	-	-	-	-	GU19152200	1	
14	Screw	-	-	-	-	GU98054314	1	
15	Plate	-	-	-	-	GU95187006	1	
16	Oil filter	-	-	-	-	GU19153000	1	
17	Oil valve cpl.	-	-	-	-	GU10158201	1	
18	Valve body	-	-	-	-	GU10158701	1	
19	Piston	-	-	-	-	GU12150900	1	
20	Valve spring	-	-	-	-	GU94321072	1	
21	Bottom	-	-	-	-	GU12150700	1	
22	Washer 14,5X20X1	-	-	-	-	GU95100523	3	
23	Oil pump gear	-	-	-	-	GU19147721	1	
24	Washer 10,5x16x1	-	-	-	-	GU19149800	1	
25	Nut M10x1,25	-	-	-	-	GU92602510	1	


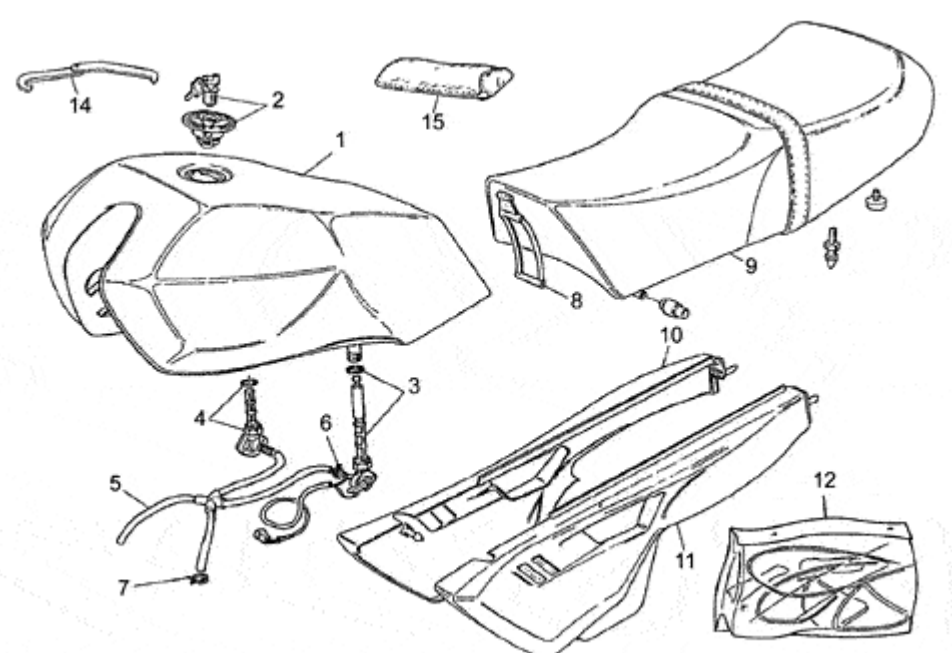


Pos.	Description	Year	I_M	Country	Version	Code	Q.ty	P.Cod.
1	Gearbox cover, grey	-	-	-	-	GU31200880	1	
2	Bearing 15x35x11	-	-	-	-	GU92204215	2	
3	Gasket ring 28x40x7	-	-	-	-	GU90402841	1	
4	O-ring 13,95x2,92	-	-	-	-	GU90706140	1	
5	Plate	-	-	-	-	GU19213820	1	
6	Screw	-	-	-	-	GU98622314	4	
7	Washer 6,4x10x0,7	-	-	-	-	GU14217901	6	
8	Plate	-	-	-	-	GU19235800	1	
9	Screw	-	-	-	-	GU98622314	2	
10	Gasket	-	-	-	-	GU19200320	1	
11	Sensor	-	-	-	-	GU19207220	1	
12	Gasket 8,25x15x1	-	-	-	-	GU12154200	1	
13	Screw M12x1,25	-	-	-	-	GU19237800	1	
14	Low nut M12x1,25	-	-	-	-	GU92602512	1	
15	Gasket	-	-	-	-	GU19201120	1	
16	Bush 6,6x9x13	-	-	-	-	GU19002020	4	
17	Gearbox, grey	-	-	-	-	GU31200280	1	
18	Screw M6X30	-	-	-	-	GU98620330	7	
19	Screw M8X35	-	-	-	-	GU98620435	4	
20	Pawl	-	-	-	-	GU55234700	1	
21	Lever return spring	-	-	-	-	GU94321067	1	
22	Breather plug	-	-	-	-	GU19206501	1	
23	Gasket	-	-	-	-	GU10528900	2	
24	Oil plug	-	-	-	-	GU12022600	1	
25	O-ring 20,24X2,62	-	-	-	-	GU90706203	1	
26	Oil level plug	-	-	-	-	GU95980214	1	
27	Oil bulhead	-	-	-	-	GU19208220	1	
28	Ball bearing 20x42x12	-	-	-	-	GU92201120	1	
29	Bush 10,25x15,7x8	-	-	-	-	GU19202320	2	
30	Transmission assy and housing	-	-	-	-	GU27991561	1	


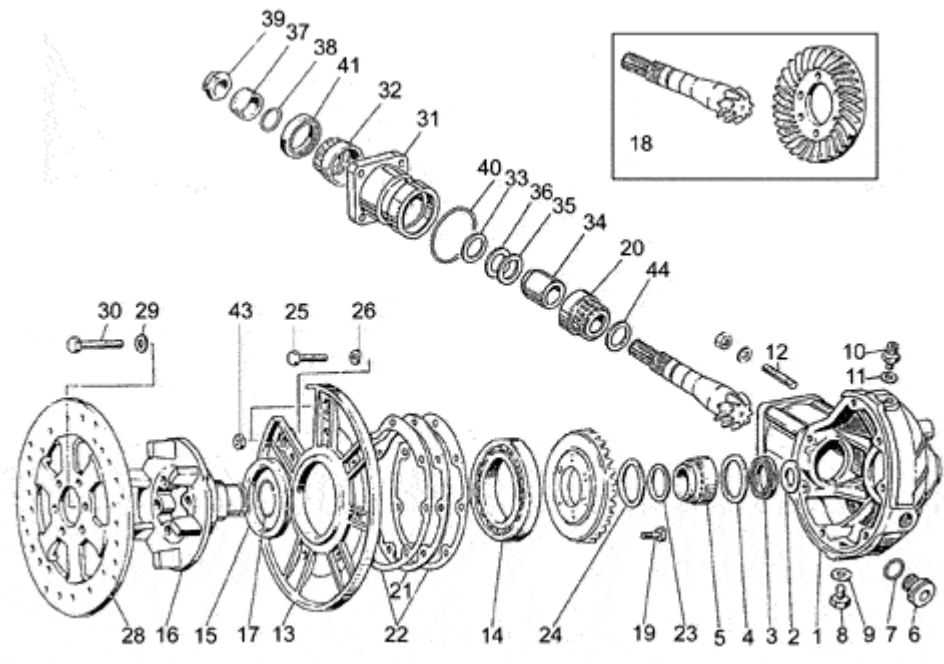


Pos.	Description	Year	I_M	Country	Version	Code	Q.ty	P.Cod.
2	Float chamber	-	-	-	-	GU14707000	1	
3	Accumulator fixing wedge	-	-	-	-	GU14705350	1	
4	Clamp	-	-	-	-	GU19704800	1	
5	Cap	-	-	-	-	GU14717600	2	
7	HT coil	-	-	-	-	GU31716560	2	
8	Screw	-	-	-	-	GU98620240	4	
9	Spacer	-	-	-	-	GU91180716	4	
10	Ring nut	-	-	-	-	GU19741336	1	
11	Connector SAPRISA	-	-	-	-	GU28712500	1	
12	Cap	-	-	-	-	GU23707100	1	
13	Ground-battery lead	-	-	-	-	GU19748400	1	
15	Nut M8X1,25	-	-	-	-	GU92602208	1	
16	Captive nut	-	-	-	-	GU92660501	6	
18	Voltage regulator SAPRISA	-	-	-	-	GU28703800	1	
19	Washer 5,25x14x1,5	-	-	-	-	GU95100059	2	
20	Washer	-	-	-	-	GU95004208	2	
21	Screw	-	-	-	-	GU98622216	2	
22	Lock hardware kit	-	-	-	-	GU27736885	1	
23	Main switch	-	-	-	-	GU31735360	1	
24	Screw	-	-	-	-	GU98290512	2	
25	Washer	-	-	-	-	GU95000205	2	
26	Phase/revolution sensor	-	-	-	-	GU29722270	1	
27	Hex socket screw M6X18	-	-	-	-	GU98622318	1	
29	Rotor	-	-	-	-	GU27721037	1	
30	Notched washer	-	-	-	-	GU95021105	3	
32	Screw	-	-	-	-	GU98620250	1	
33	Rubber spacer	-	-	-	-	GU19007700	1	
34	Wire	-	-	-	-	GU19748000	1	
35	Cap	-	-	-	-	GU19707100	2	
36	Hose clamp 3,6x20,6	-	-	-	-	GU14609650	20	
37	Screw	-	-	-	-	GU28712459	3	
38	Hex screw M8X35	-	-	-	-	GU98052435	2	
39	Sparkplug cap	-	-	-	-	GU14717400	2	

40	Spark plug NGK B8ES	-	-	-	-	-	GU31717060	2
41	Generator SAPRISA	-	-	-	-	-	GU28712400	1
42	Protection	-	-	-	-	-	GU19733350	1
43	Starter motor Valeo	-	-	-	-	-	GU30730711	1
44	Starter motor revision kit	-	-	-	-	-	GU19730580	1
	Starter motor revision kit	-	-	-	-	-	GU14730570	1


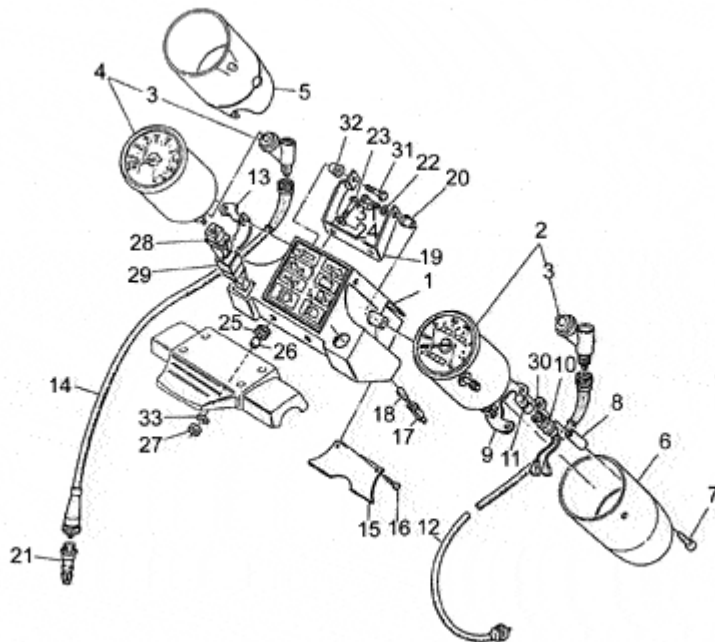
	65 GT 650 1987-1989	GU057	00	TAB N.	02			
	BODY							
								
Pos.	Description	Year	I_M	Country	Version	Code	Q.ty	P.Cod.

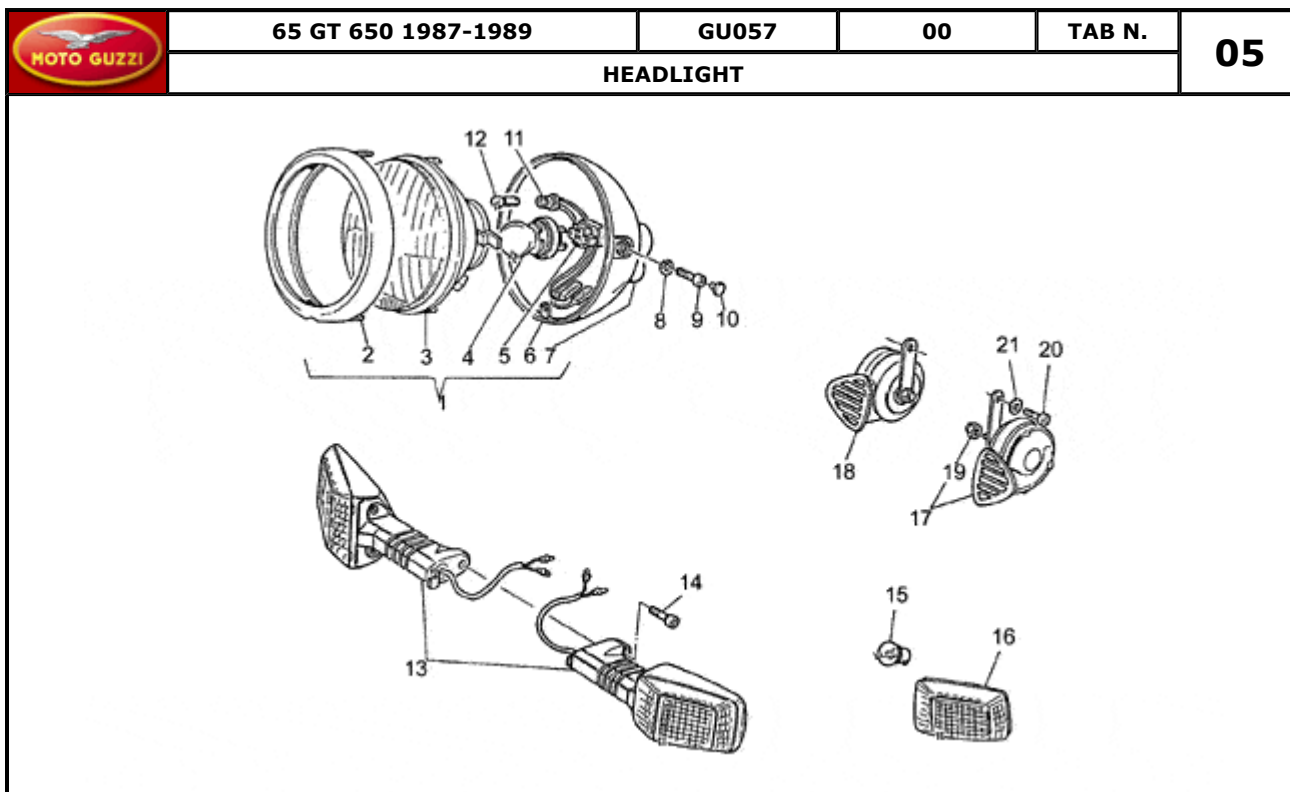
1	Fuel tank	-	-	-	-	GU231002301	1	
2	Tank cap	-	-	-	-	GU62103920	1	
3	LH fuel cock	-	-	-	-	GU23105370	1	
4	RH fuel cock	-	-	-	-	GU23105470	1	
5	Fuel pipe	-	-	-	-	GU29106500	1	
6	Hose clamp	-	-	-	-	GU61108400	2	
7	Hose clamp D9	-	-	-	-	GU61108500	2	
8	Tie rod	-	-	-	-	GU19102750	1	
9	Saddle	-	-	-	-	GU27460586	1	
10	RH side panel	-	-	-	-	GU275703861	1	
11	LH side panel	-	-	-	-	GU275704861	1	
12	Decal set	-	-	-	-	GU23923330	1	
14	Shock abs. adj. Wrench	-	-	-	-	GU19912700	1	
15	Toolkit	-	-	-	-	GU28929940	1	

	65 GT 650 1987-1989	GU057	00	TAB N.	03			
	BEVEL GEAR							
								
Pos.	Description	Year	I_M	Country	Version	Code	Q.ty	P.Cod.

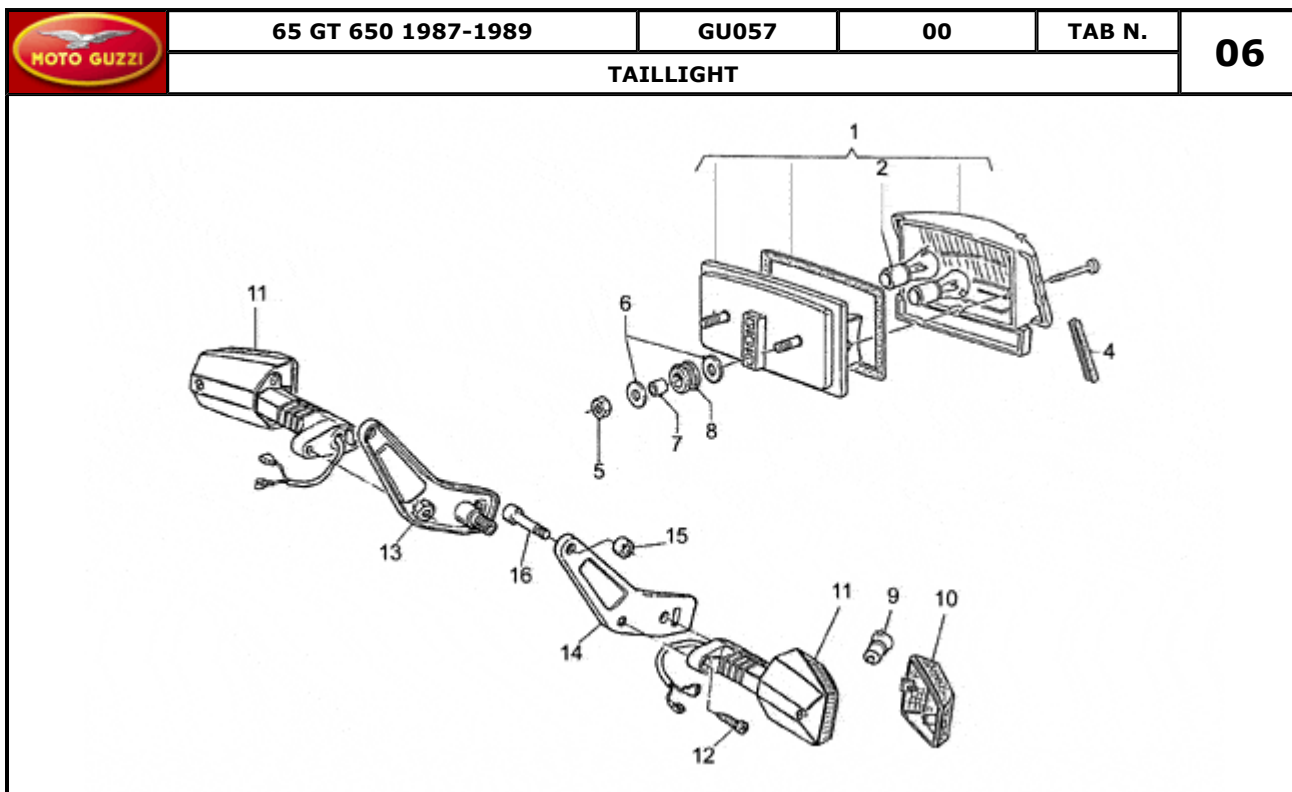
1	Transmission housinggrey	-	-	-	-	GU31350380	1	
2	Clearance washer	-	-	-	-	GU19351900	1	
3	Gasket ring 35x47x7	-	-	-	-	GU90403547	1	
4	Clearance washer	-	-	-	-	GU19351100	1	
5	Roller bearing 35x50x17	-	-	-	-	GU92252235	1	
6	Oil plug	-	-	-	-	GU12022600	1	
7	O-ring 20,24X2,62	-	-	-	-	GU90706203	1	
8	Oil level plug	-	-	-	-	GU95980214	1	
9	Gasket	-	-	-	-	GU10528900	1	
10	Breather plug	-	-	-	-	GU19206501	1	
11	Gasket	-	-	-	-	GU10528900	1	
12	Stud bolt	-	-	-	-	GU96508055	4	
13	Cover	-	-	-	-	GU19350421	1	
14	Ball bearing 70x110x13	-	-	-	-	GU92201070	1	
15	Gasket ring 75x90x8	-	-	-	-	GU90407590	1	
16	Pin	-	-	-	-	GU19351401	1	
17	Stop ring	-	-	-	-	GU90353030	1	
18	Bevel gear Z=8/31	-	-	-	-	GU20354621	1	
19	Screw	-	-	-	-	GU19356320	6	
20	Tap.roller bearing	-	-	-	-	GU92249223	1	
21	Spacer 1,2 mm	-	-	-	-	GU19355408	1	
	Spacer 1,6 mm	-	-	-	-	GU19355413	1	
	Spacer 1,5 mm	-	-	-	-	GU19355412	1	
	Spacer 1,3 mm	-	-	-	-	GU19355410	1	
	Spacer 1,1 mm	-	-	-	-	GU19355406	1	
	Spacer 1 mm	-	-	-	-	GU19355404	1	
	Spacer 0,9 mm	-	-	-	-	GU19355402	1	
	Spacer 0,8 mm	-	-	-	-	GU19355400	1	
	Spacer 1,4 mm	-	-	-	-	GU19355411	1	
22	Gasket	-	-	-	-	GU19350700	2	
23	Thrust washer	-	-	-	-	GU19352300	1	
24	Thrust washer	-	-	-	-	GU19353500	1	
25	Screw M8X25	-	-	-	-	GU19357660	7	

26	Spring washer 8x15x0,3	-	-	-	-	-	GU61270300	7
28	Rear brake disc	-	-	-	-	-	GU19635736	1
29	Washer 8,4X13X0,8	-	-	-	-	-	GU14615901	6
30	Screw	-	-	-	-	-	GU98054418	6
31	Bearing casing	-	-	-	-	-	GU19352401	1
32	Roller bearing 20x47x14	-	-	-	-	-	GU92249220	1
33	Spacer 1,2 mm	-	-	-	-	-	GU19355302	4
	Spacer 1,9 mm	-	-	-	-	-	GU19355309	4
	Spacer 1,8 mm	-	-	-	-	-	GU19355308	4
	Spacer 1,7 mm	-	-	-	-	-	GU19355307	4
	Spacer 1,6 mm	-	-	-	-	-	GU19355306	4
	Spacer 1,5 mm	-	-	-	-	-	GU19355305	4
	Spacer 1,3 mm	-	-	-	-	-	GU19355303	4
	Spacer 1,1 mm	-	-	-	-	-	GU19355301	4
	Spacer 1 mm	-	-	-	-	-	GU19355300	4
	Spacer 1,4 mm	-	-	-	-	-	GU19355304	4
34	Spacer	-	-	-	-	-	GU19355121	1
35	Shim 0,1 mm	-	-	-	-	-	GU19355200	2
36	Shim 0,15 mm	-	-	-	-	-	GU19355202	11
37	Spacer	-	-	-	-	-	GU19356801	1
38	Gasket ring 18,77X1,78	-	-	-	-	-	GU90706188	1
39	Nut	-	-	-	-	-	GU19356700	1
40	Gasket ring	-	-	-	-	-	GU90706552	1
41	Gasket ring	-	-	-	-	-	GU90403247	1
43	Nut M8X1,25	-	-	-	-	-	GU92602208	2
44	Spacer 1 mm	-	-	-	-	-	GU19355320	2
	Spacer 1,8 mm	-	-	-	-	-	GU19355328	2
	Spacer 1,7 mm	-	-	-	-	-	GU19355327	2
	Spacer 1,6 mm	-	-	-	-	-	GU19355326	2
	Spacer 1,5 mm	-	-	-	-	-	GU19355325	2
	Spacer 1,4 mm	-	-	-	-	-	GU19355324	2
	Spacer 1,3 mm	-	-	-	-	-	GU19355323	2
	Spacer 1,1 mm	-	-	-	-	-	GU19355321	2
	Spacer 1,9 mm	-	-	-	-	-	GU19355329	2
	Spacer 1,2 mm	-	-	-	-	-	GU19355322	2


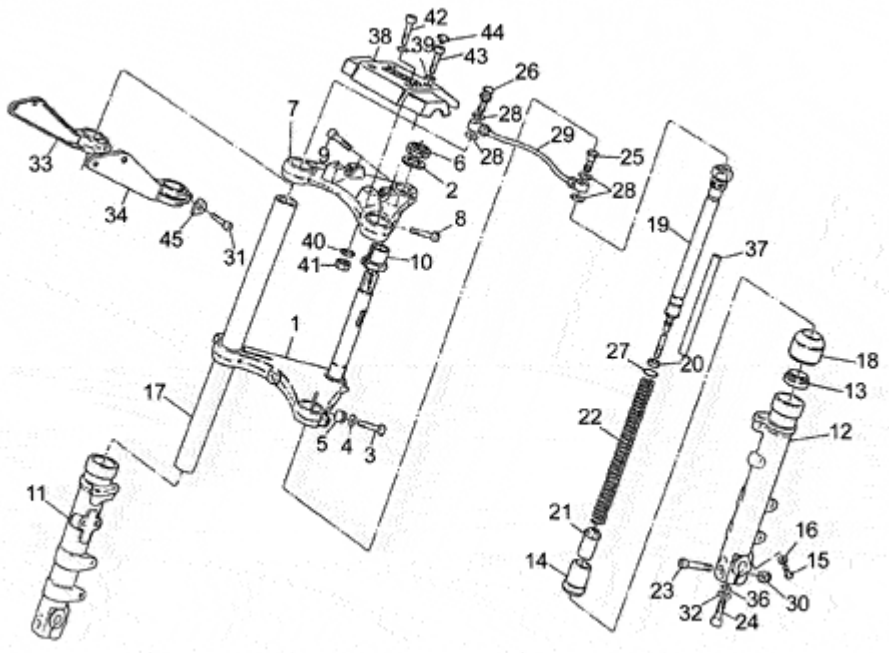
		65 GT 650 1987-1989		GU057	00	TAB N.	04	
		INSTRUMENT PANEL						
								
Pos.	Description	Year	I_M	Country	Version	Code	Q.ty	P.Cod.
1	Dashboard box assy.	-	-	-	-	GU23760010	1	
2	Speedometer	-	-	-	-	GU23761570	1	
3	Gear 60°	-	-	-	-	GU23768310	2	
4	Tachometer	-	-	-	-	GU23767270	1	
5	Rev counter container	-	-	-	-	GU23761910	1	
6	Speedometer container	-	-	-	-	GU23762010	1	
7	Screw	-	-	-	-	GU98290520	2	
8	Spacer	-	-	-	-	GU23765110	2	
9	Plate	-	-	-	-	GU23764910	1	
10	Lampholder	-	-	-	-	GU14768650	2	
11	Lamp 12v-3w	-	-	-	-	GU93450120	2	
12	Speedometer transmission	-	-	-	-	GU27760410	1	
13	Plate	-	-	-	-	GU23766510	1	
14	Rev counter transmission	-	-	-	-	GU23768110	1	
15	Lower cover	-	-	-	-	GU29765250	1	
16	Self-tap screw	-	-	-	-	GU99210210	2	
17	Lampholder	-	-	-	-	GU19768680	8	
18	Lamp 12V-1,2W	-	-	-	-	GU93450140	8	
19	U-bolt	-	-	-	-	GU23764110	1	
20	Spacer	-	-	-	-	GU23766911	1	
21	Gear Z=14	-	-	-	-	GU14769200	1	
22	Washer	-	-	-	-	GU95004205	2	
23	Hex screw M6X22	-	-	-	-	GU98054322	2	
24	Washer 6,15x11x0,8	-	-	-	-	GU95008206	4	
25	Rubber spacer	-	-	-	-	GU91551085	2	
26	Spacer	-	-	-	-	GU91180607	2	
27	Nut M6x1	-	-	-	-	GU92630106	2	
28	Turn indicator switch	-	-	-	-	GU28745761	1	
29	Rubber protection	-	-	-	-	GU35755780	1	
30	Rubber spacer	-	-	-	-	GU93110060	4	
31	Screw	-	-	-	-	GU98054230	2	
32	Spacer	-	-	-	-	GU23766910	1	
33	Special washer	-	-	-	-	GU61013800	2	



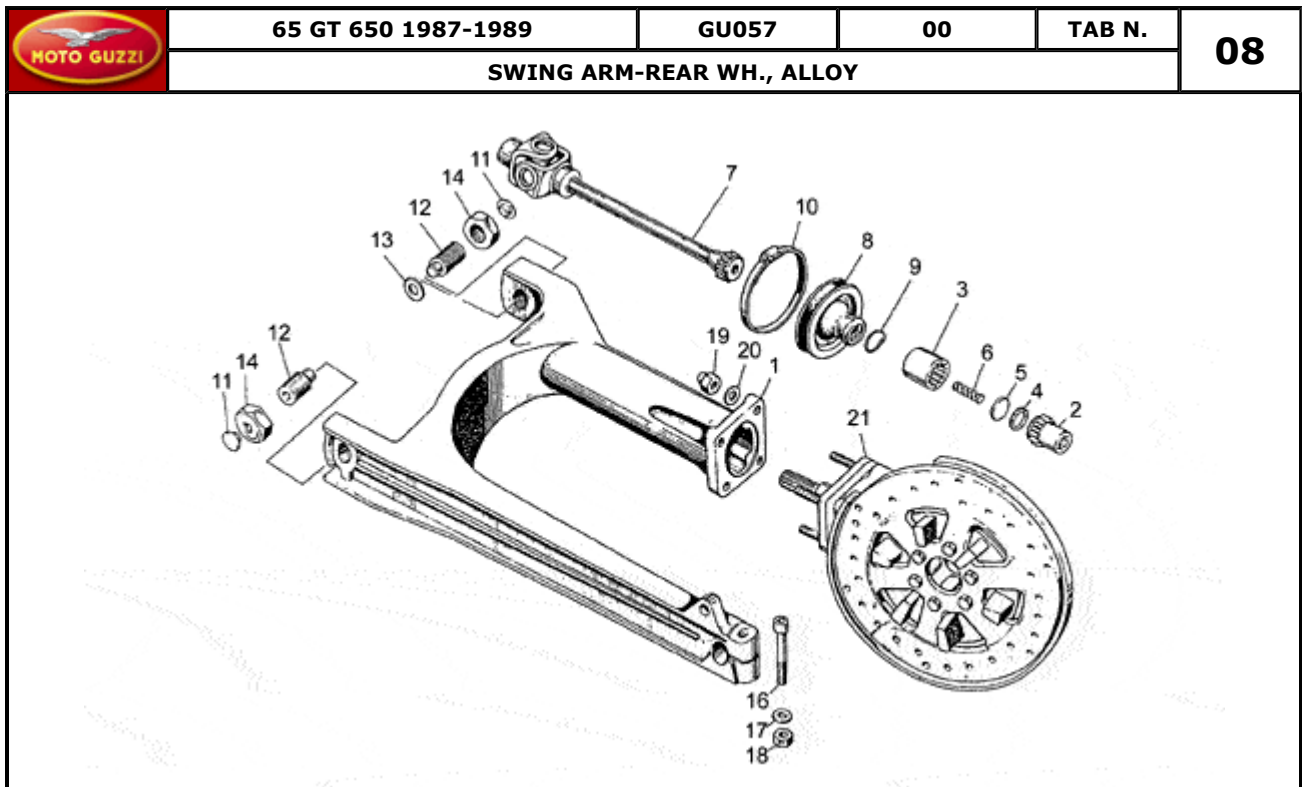
Pos.	Description	Year	I_M	Country	Version	Code	Q.ty	P.Cod.
1	Headlight	-	-	-	-	GU28740533	1	
2	Light frame	-	-	-	-	GU19740454	1	
3	Optical group	-	-	-	-	GU18740435	1	
4	Lamp 12V-55/60W	-	-	-	-	GU93450232	1	
5	Lampholder	-	-	-	-	GU14756255	1	
6	Headlight body	-	-	-	-	GU23740418	1	
7	Rear cap plug	-	-	-	-	GU19740404	1	
8	Washer 10,2x18x2	-	-	-	-	GU95004210	2	
9	Screw	-	-	-	-	GU98622535	2	
10	Plug	-	-	-	-	GU23943510	2	
11	Lampholder	-	-	-	-	GU17740405	1	
12	Lamp 12V-4W	-	-	-	-	GU93450119	1	
13	Turn indicator	-	-	-	-	GU23750670	2	
14	Screw	-	-	-	-	GU98832320	2	
15	Lamp 12V-10W	-	-	-	-	GU93450127	2	
16	Turn indicator lens	-	-	-	-	GU23753710	2	
17	Horn	-	-	-	-	GU29743752	1	
18	Horn	-	-	-	-	GU29743753	1	
19	Nut	-	-	-	-	GU92602206	2	
20	Screw	-	-	-	-	GU98822314	2	
21	Notched washer	-	-	-	-	GU95021106	2	



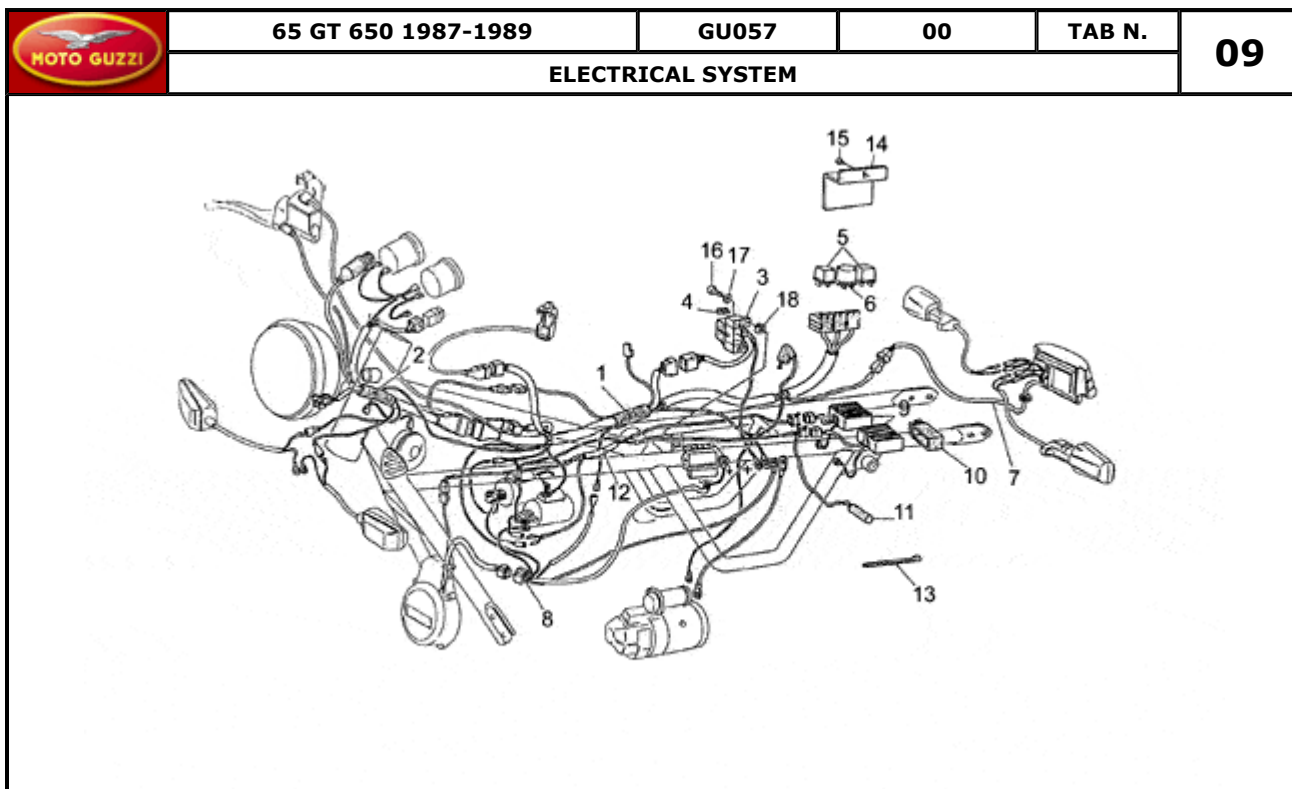
Pos.	Description	Year	I_M_	Country	Version	Code	Q.ty	P.Cod.
1	Taillight	-	-	-	-	GU27740985	1	
2	Lamp 12V/5-21W	-	-	-	-	GU93450224	2	
4	Gasket	-	-	-	-	GU28439800	2	
5	Nut M6x1	-	-	-	-	GU92630206	2	
6	Washer 6,2X18X1	-	-	-	-	GU95100118	4	
7	Spacer	-	-	-	-	GU91180607	2	
8	Rubber spacer	-	-	-	-	GU91551085	2	
9	Lamp 12V-10W	-	-	-	-	GU93450127	2	
10	Turn indicator lens	-	-	-	-	GU23753710	2	
11	Turn indicator	-	-	-	-	GU23750670	2	
12	Screw	-	-	-	-	GU98832310	2	
13	RH plate	-	-	-	-	GU23468230	1	
14	LH plate	-	-	-	-	GU23468430	1	
15	Spacer	-	-	-	-	GU91180913	2	
16	Screw M8X30	-	-	-	-	GU98622430	2	

		65 GT 650 1987-1989		GU057	00	TAB N.	07		
FRONT FORK									
									
Pos.	Description	Year	I_M	Country	Version	Code	Q.ty	P.Cod.	
1	Lower plate	-	-	-	-	GU23494040	1		
2	Stem plug washer	-	-	-	-	GU18513560	1		
3	Hex screw M10X55	-	-	-	-	GU98072555	2		
4	Washer	-	-	-	-	GU95007210	2		
5	Spacer	-	-	-	-	GU91181016	2		
6	Plug	-	-	-	-	GU18513460	1		
7	Fork upper plate	-	-	-	-	GU23493140	1		
8	Screw	-	-	-	-	GU98610540	2		
9	Screw	-	-	-	-	GU98612535	1		
10	Steering lock bush	-	-	-	-	GU18516660	1		
11	RH sleeve	-	-	-	-	GU23522540	1		
12	LH sleeve	-	-	-	-	GU23522640	1		
13	Oil seal	-	-	-	-	GU90403857	2		
14	Bush	-	-	-	-	GU20527620	2		
15	Screw	-	-	-	-	GU98622320	2		
16	Washer 6,25x10x1,5	-	-	-	-	GU95100116	4		
17	Sleeve	-	-	-	-	GU23525440	2		
18	Dust cover	-	-	-	-	GU28524500	2		
19	Rear shock absorber	-	-	-	-	GU27526485	2		
20	Nut	-	-	-	-	GU92602308	2		
21	End stop	-	-	-	-	GU28527540	2		
22	Spring	-	-	-	-	GU27526685	2		
23	Screw	-	-	-	-	GU98620545	2		
24	Screw	-	-	-	-	GU98622530	2		
25	Bored screw	-	-	-	-	GU28556450	1		
26	Air valve	-	-	-	-	GU28556250	1		
27	Gasket ring	-	-	-	-	GU90706282	2		
28	Copper washer	-	-	-	-	GU28556350	4		
29	Pipe	-	-	-	-	GU28529641	1		
30	Nut	-	-	-	-	GU92781100	2		
31	Hex socket screw M8X25	-	-	-	-	GU98622425	4		
32	Flat washer	-	-	-	-	GU27499120	2		
33	RH support	-	-	-	-	GU23496170	1		


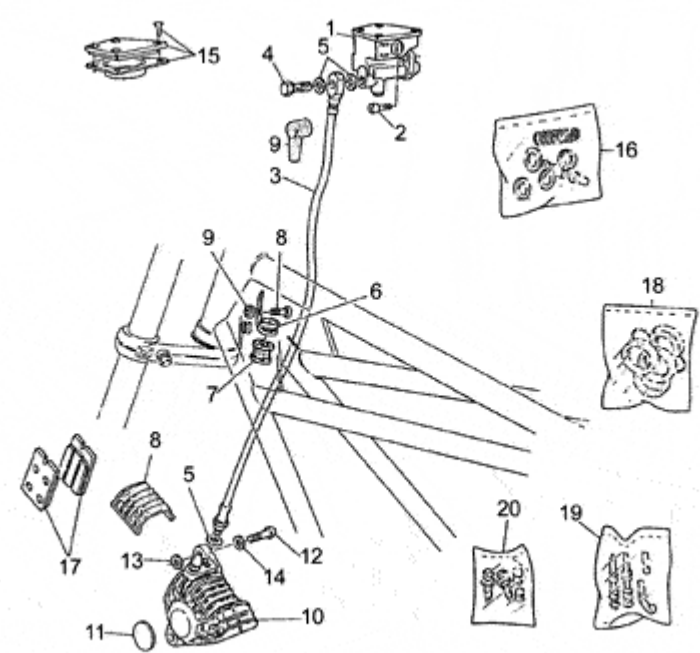
34	LH support	-	-	-	-	-	GU23496270	1
36	O-ring 9x2	-	-	-	-	-	GU90706094	2
37	Anti-rubbing pipe	-	-	-	-	-	GU27526320	2
38	Handlebar fixing plate	-	-	-	-	-	GU28500233	2
39	Washer 8,4X13X0,8	-	-	-	-	-	GU14615901	2
40	Washer	-	-	-	-	-	GU95000208	2
41	Nut	-	-	-	-	-	GU92630508	2
42	Screw	-	-	-	-	-	GU98620485	2
43	Screw M8X35	-	-	-	-	-	GU98620435	2
44	Plug	-	-	-	-	-	GU23943410	2
45	Spacer	-	-	-	-	-	GU23497910	1

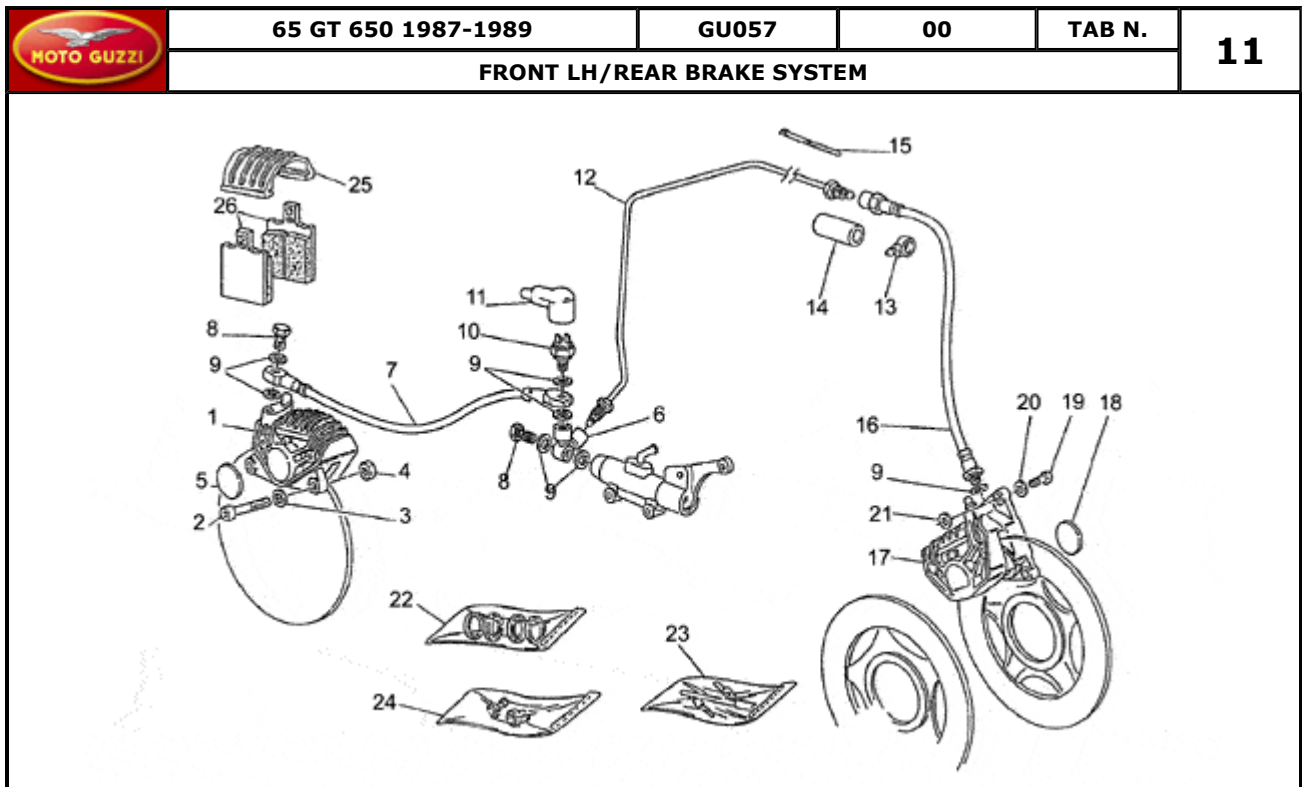


Pos.	Description	Year	I_M_	Country	Version	Code	Q.ty	P.Cod.
1	Swing arm	-	-	-	28695C-2A	GU19540261	1	
	Swing arm	-	-	-	1A	GU19540261	1	
2	Hose	-	-	-	-	GU19327701	1	
3	Hose	-	-	-	-	GU19328801	1	
4	Circlip	-	-	-	-	GU90272023	1	
5	Disc	-	-	-	-	GU19327601	1	
6	Spring	-	-	-	-	GU94321099	1	
7	Coupling	-	-	-	1A	GU19328061	1	
	Coupling	-	-	-	28695C-2A	GU23328081	1	
8	Protection collar	-	-	-	28695C-2A	GU23548080	1	
	Protection collar	-	-	-	1A	GU19548001	1	
9	Spring	-	-	-	28695C-2A	GU23548180	1	
	Spring	-	-	-	1A	GU19548101	1	
10	Hose clamp	-	-	-	-	GU93305074	1	
11	Plug	-	-	-	-	GU93180105	2	
12	Pin	-	-	-	-	GU19547000	2	
13	Spacer	-	-	-	-	GU35214300	1	
14	Nut	-	-	-	-	GU14547800	2	
16	Screw	-	-	-	-	GU98052550	1	
17	Washer 10,2x18x2	-	-	-	-	GU95004210	1	
18	Nut	-	-	-	-	GU92602210	1	
19	Nut	-	-	-	-	GU92781081	4	
20	Washer 8,4X13X0,8	-	-	-	-	GU14615901	4	
21	Transmission box assy., grey	-	-	-	-	GU20350220	1	

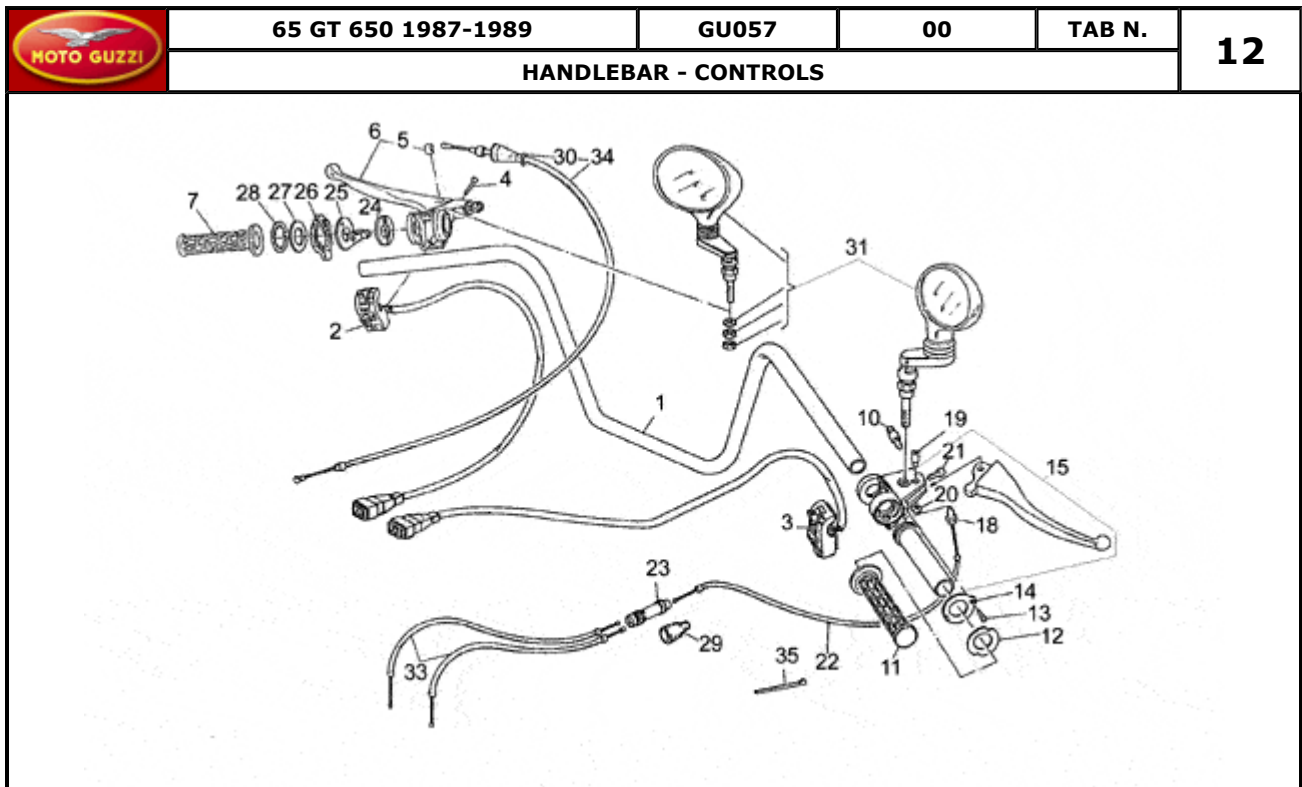


Pos.	Description	Year	I_M	Country	Version	Code	Q.ty	P.Cod.
1	Electrical system	-	-	-	-	GU23747130	1	
2	Dashboard cable	-	-	-	-	GU23747211	1	
3	Fuse holder box	-	-	-	-	GU30743000	1	
4	Fuse 15A	-	-	-	-	GU28742560	6	
5	Siren relay	-	-	-	-	GU28732560	2	
6	Flasher unit	-	-	-	-	GU17750520	1	
7	Taillight wiring harn.	-	-	-	-	GU23747330	1	
8	Alternator-regulator wiring	-	-	-	-	GU27725820	1	
9	Electronic control unit	-	-	-	-	GU23721494	2	
10	Flexible support	-	-	-	-	GU27723835	2	
11	Capacitor	-	-	-	-	GU27710435	1	
12	H.T. wiring	-	-	-	-	GU31722140	1	
13	Hose clamp 3,6x20,6	-	-	-	-	GU14609650	1	
	Hose clamp	-	-	-	-	GU61609630	1	
14	Cover	-	-	-	-	GU23734230	1	
15	Self-tap screw	-	-	-	-	GU99200316	1	
16	Screw	-	-	-	-	GU98622216	2	
17	Washer 5,25x14x1,5	-	-	-	-	GU95100059	2	
18	Captive nut	-	-	-	-	GU92660501	1	

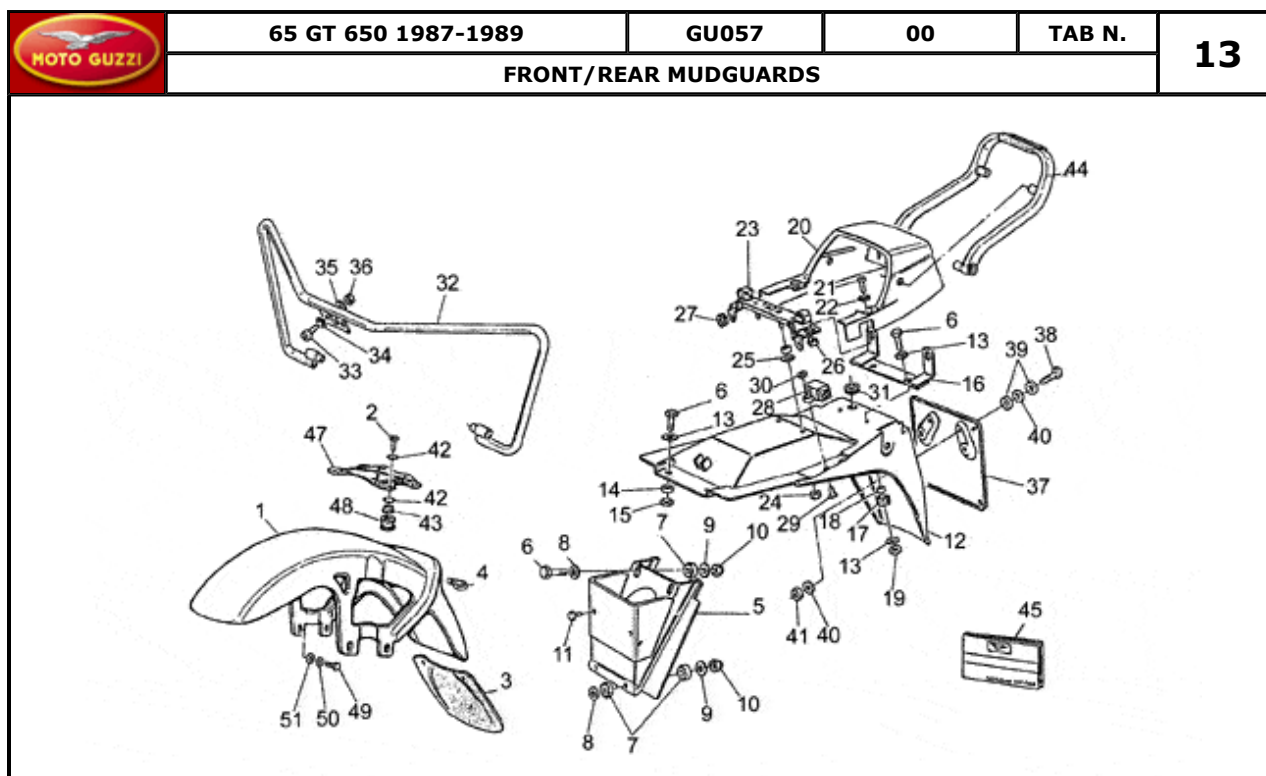
		65 GT 650 1987-1989		GU057	00	TAB N.	10	
		RH FRONT BRAKE SYSTEM						
								
Pos.	Description	Year	I_M	Country	Version	Code	Q.ty	P.Cod.
1	Front master cilinder	-	-	-	-	GU29660250	1	
2	Screw	-	-	-	-	GU98812216	2	
3	Front brake line	-	-	-	-	GU23657110	1	
4	Oil pipe screw *	-	-	-	-	GU95990028	1	
5	Gasket	-	-	-	-	GU25656100	3	
6	Hose clamp	-	-	-	-	GU17658360	1	
7	Ring	-	-	-	-	GU17658260	1	
8	Brake caliper cover BREMBO	-	-	-	-	GU39654700	1	
	Brake caliper cover GRIMECA	-	-	-	29895C	GU31654765	1	
9	Cap	-	-	-	-	GU39663801	1	
10	RH front brake caliper Grimeca	-	-	-	29895C	GU31652365	1	
11	Brake caliper decal	-	-	-	-	GU19652700	1	
12	Screw	-	-	-	-	GU98622422	2	
13	Washer 8,5X18X0,8	-	-	-	-	GU95100251	4	
	Washer 8,5X18X0,5	-	-	-	-	GU95100250	4	
14	Spring washer 8x15x0,3	-	-	-	-	GU61270300	2	
15	Cover	-	-	-	-	GU23661110	1	
16	Brake mast.cyl rev. kit	-	-	-	-	GU23659310	1	
17	Pads pair BREMBO	-	-	-	-	GU27654610	1	
	Pads pair GRIMECA	-	-	-	29895C	GU31654665	1	
18	Brake caliper rev. kit BREMBO	-	-	-	-	GU39659000	1	
	Brake caliper rev. kit GRIMECA	-	-	-	29895C	GU66659031	1	
19	Pins+spring BREMBO	-	-	-	-	GU39659100	1	
	Pins+spring GRIMECA	-	-	-	29895C	GU31659165	2	
20	Bleeder+cap GRIMECA	-	-	-	29895C	GU31659265	1	
	Bleeder+cap BREMBO D.6	-	-	-	-	GU65659200	1	



Pos.	Description	Year	I_M	Country	Version	Code	Q.ty	P.Cod.
1	Rear brake caliper	-	-	-	-	GU23653011	1	
2	Screw	-	-	-	-	GU98622422	2	
3	Spring washer 8x15x0,3	-	-	-	-	GU61270300	2	
4	Nut M8X1,25	-	-	-	-	GU92602208	2	
5	Rear brake cal. decal	-	-	-	-	GU19654900	1	
6	Connection	-	-	-	-	GU19668000	1	
7	Brake hose	-	-	-	-	GU19658660	1	
8	Oil pipe screw *	-	-	-	-	GU95990028	2	
9	Gasket	-	-	-	-	GU25656100	7	
10	Brake light switch	-	-	-	-	GU14657050	1	
11	Cap	-	-	-	-	GU12735100	1	
12	Pipe	-	-	-	-	GU27658720	1	
13	Eyelet	-	-	-	-	GU19436500	1	
14	Protection	-	-	-	-	GU17573860	1	
15	Hose clamp 3,6x20,6	-	-	-	-	GU14609650	3	
16	Brake fluid line	-	-	-	-	GU27658885	1	
17	LH front brake caliper Grimeca	-	-	-	-	GU31652265	1	
18	Brake caliper decal	-	-	-	-	GU19652700	1	
19	Screw	-	-	-	-	GU98622422	2	
20	Spring washer 8x15x0,3	-	-	-	-	GU61270300	2	
21	Washer 8,5X18X0,5	-	-	-	-	GU95100250	4	
	Washer 8,5X18X0,8	-	-	-	-	GU95100251	4	
22	Brake caliper rev. kit GRIMECA	-	-	-	29895C	GU66659031	1	
	Brake caliper rev. kit BREMBO	-	-	-	-	GU39659000	2	
23	Pins+spring BREMBO	-	-	-	-	GU39659100	2	
	Pins+spring GRIMECA	-	-	-	29895C	GU31659165	2	
24	Bleeder+cap BREMBO D.6	-	-	-	-	GU65659200	2	
	Bleeder+cap GRIMECA	-	-	-	29895C	GU31659265	1	
25	Brake caliper cover BREMBO	-	-	-	-	GU39654700	2	
	Brake caliper cover GRIMECA	-	-	-	29895C	GU31654765	1	
26	Pads pair GRIMECA	-	-	-	29895C	GU31654665	1	
	Pads pair BREMBO	-	-	-	-	GU27654610	1	


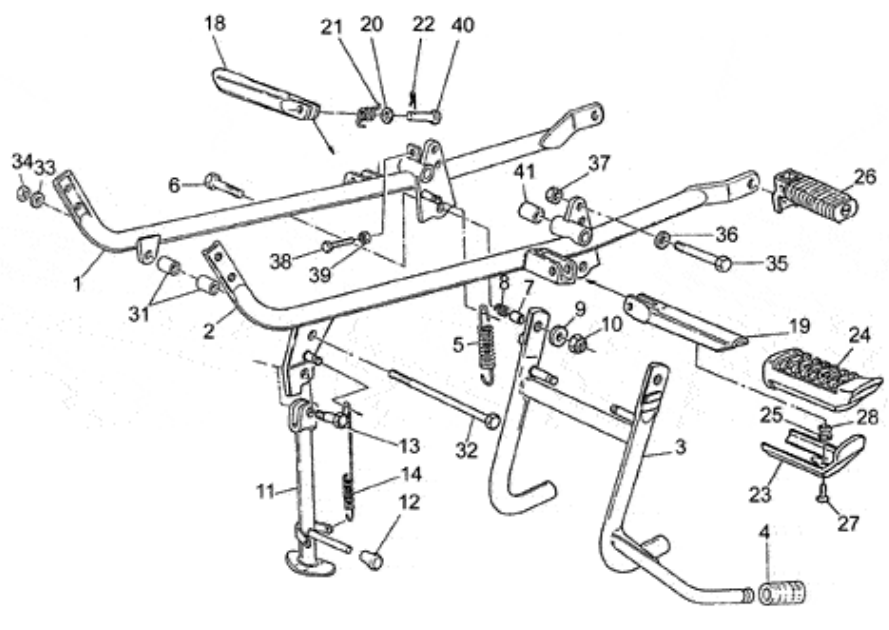


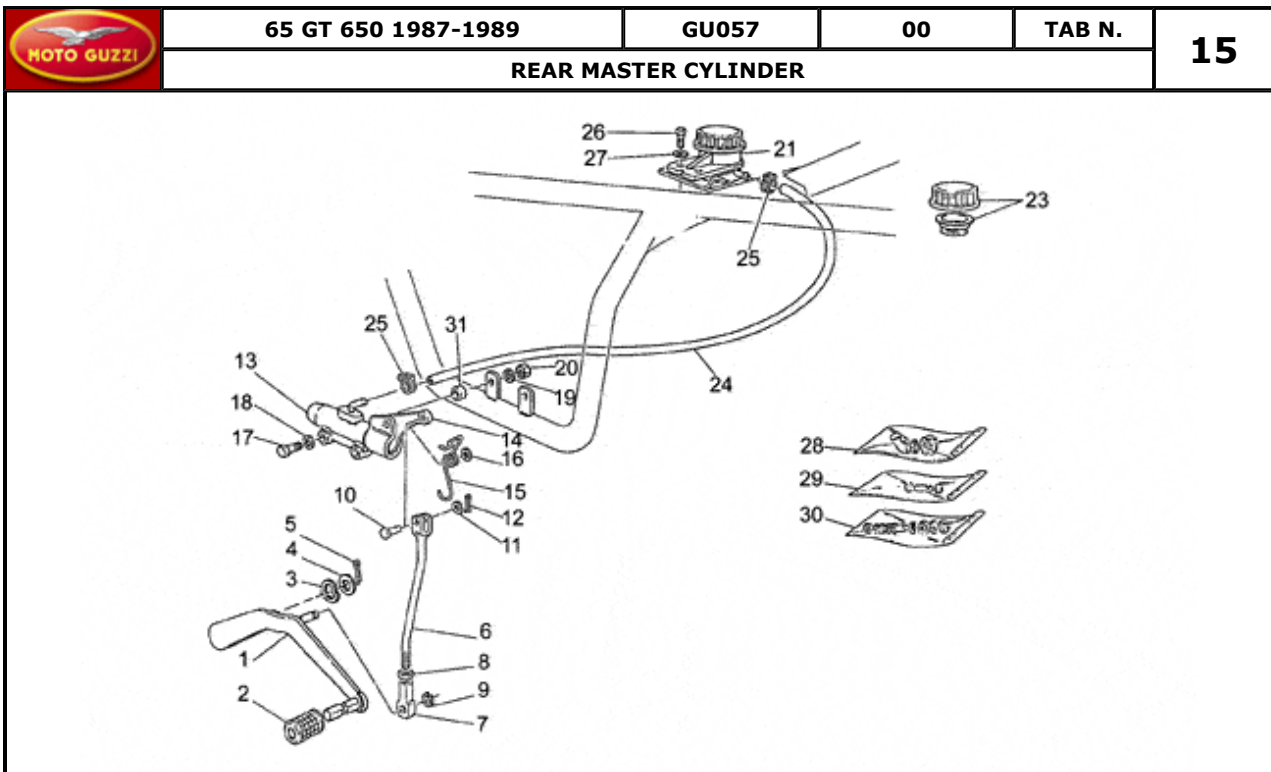
Pos.	Description	Year	I_M	Country	Version	Code	Q.ty	P.Cod.
1	Handlebar	-	-	-	-	GU28600334	1	
2	LH lights selector	-	-	-	-	GU23738070	1	
3	RH lights selector	-	-	-	-	GU23750370	1	
4	Screw	-	-	-	-	GU98260425	2	
5	Bush	-	-	-	-	GU29608750	1	
6	Clutch lever	-	-	-	-	GU29605550	1	
7	LH hand grip	-	-	-	-	GU29603050	1	
10	Brake light switch	-	-	-	-	GU39741101	1	
11	RH hand grip	-	-	-	-	GU29603550	1	
12	Nylon washer	-	-	-	-	GU29604650	1	
13	Screw	-	-	-	-	GU98280410	1	
14	Side cover	-	-	-	-	GU29603650	1	
15	Throttle cable assy	-	-	-	-	GU29999250	1	
18	Cable-guide	-	-	-	-	GU29603750	1	
19	Screw	-	-	-	-	GU29604850	1	
20	Nut	-	-	-	-	GU92601206	1	
21	Hex socket screw M6x16	-	-	-	-	GU98612316	1	
22	Throttle cable	-	-	-	-	GU23117570	1	
23	Splitter	-	-	-	-	GU30607910	1	
24	Ring	-	-	-	-	GU29132050	1	
25	Choke control	-	-	-	-	GU29133250	1	
26	Starter lever	-	-	-	-	GU29132350	1	
27	Washer	-	-	-	-	GU29132650	1	
28	Ring	-	-	-	-	GU17751100	1	
29	Cap	-	-	-	-	GU12717600	1	
30	Bellows	-	-	-	-	GU23093870	1	
31	Mirrors-pair	-	-	-	-	GU23999570	1	
33	Throttle cable	-	-	-	-	GU23117770	2	
34	Clutch cable	-	-	-	-	GU23093070	1	
35	Hose clamp	-	-	-	-	GU61609630	1	
	Hose clamp 3,6x20,6	-	-	-	-	GU14609650	1	



Pos.	Description	Year	I_M_	Country	Version	Code	Q.ty	P.Cod.
1	Front mudguard	-	-	-	-	GU28434300001	1	
2	Screw	-	-	-	-	GU98230845	4	
3	Splash guard	-	-	-	-	GU27436920	1	
4	Eyelet	-	-	-	-	GU28659740	2	
5	Splash guard	-	-	-	-	GU27438635	1	
6	Hex screw M6X20	-	-	-	-	GU98054320	6	
7	Rubber spacer	-	-	-	-	GU93110060	8	
8	Washer	-	-	-	-	GU95000206	4	
9	Washer 6,4x12x1,2	-	-	-	-	GU95100141	4	
10	Nut M6x1	-	-	-	-	GU92630106	4	
11	Drift	-	-	-	-	GU19705900	2	
12	Rear mudguard	-	-	-	-	GU27437085	1	
13	Washer 6,15x11x0,8	-	-	-	-	GU95008206	6	
14	Rubber spacer	-	-	-	-	GU93110082	2	
15	Nut M6x1	-	-	-	-	GU92630106	2	
16	Rear headlight supp.	-	-	-	-	GU27474385	1	
17	Rubber spacer	-	-	-	-	GU91551085	2	
18	Spacer	-	-	-	-	GU91180607	2	
19	Nut M6x1	-	-	-	-	GU92630106	2	
20	Rear fairing	-	-	-	-	GU234726301	1	
21	Screw	-	-	-	-	GU98290516	2	
22	Washer 6,15x11x0,8	-	-	-	-	GU95008206	2	
23	Covers assy	-	-	-	-	GU27462085	1	
24	Nut	-	-	-	-	GU92602205	2	
25	Washer	-	-	-	-	GU95000205	2	
26	Captive nut	-	-	-	-	GU92660501	2	
27	Rubber spacer	-	-	-	-	GU91551082	2	
28	Lock	-	-	-	-	GU27468720	1	
29	Special cap screw M5x10	-	-	-	-	GU98290511	2	
30	Nut	-	-	-	-	GU92602205	2	
31	Grommet	-	-	-	-	GU91551092	1	
32	Front bumper	-	-	-	-	GU23450210	1	
33	Screw	-	-	-	-	GU98622420	2	
34	Spring washer	-	-	-	-	GU95021108	2	

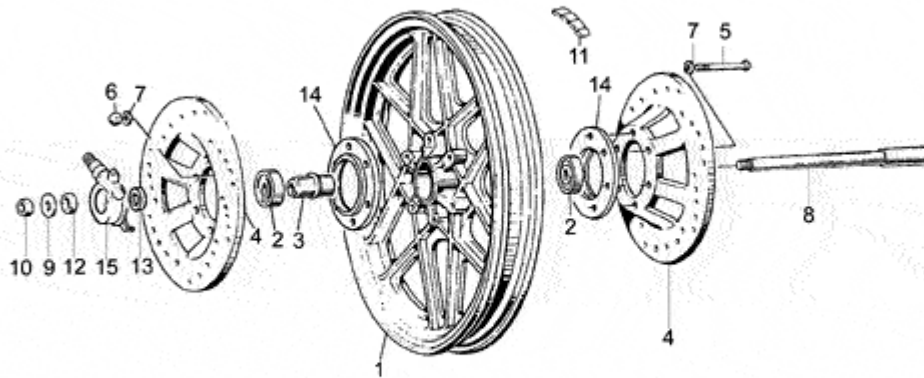
35	Washer	-	-	-	-	-	GU95004208	4
36	Nut M8X1,25	-	-	-	-	-	GU92602208	2
37	Number plate holder	-	-	-	-	-	GU14474650	1
38	Screw	-	-	-	-	-	GU98052220	4
39	Spacer	-	-	-	-	-	GU90716057	8
40	Washer 5,25x14x1,5	-	-	-	-	-	GU95100059	8
41	Nut	-	-	-	-	-	GU92630105	4
42	O-ring	-	-	-	-	-	GU90706092	8
43	Bush	-	-	-	-	-	GU23436440	4
44	Pillion grab bar	-	-	-	-	-	GU23464430	1
45	Operator's handbook	-	-	-	-	-	GU27900035	1
47	Plate	-	-	-	-	-	GU274366201	1
48	Stud bolt	-	-	-	-	-	GU23436540	4
49	Hex screw M8X20	-	-	-	-	-	GU98054420	4
50	Washer	-	-	-	-	-	GU95000208	4
51	Spring washer 8x15x0,3	-	-	-	-	-	GU61270300	4

		65 GT 650 1987-1989	GU057	00	TAB N.	14		
FOOT RESTS - LATERAL STAND								
								
Pos.	Description	Year	I_M_	Country	Version	Code	Q.ty	P.Cod.
1	RH cradle arm	-	-	-	-	GU234203401	1	
2	LH cradle arm	-	-	-	-	GU234221401	1	
3	Central stand	-	-	-	-	GU23430340	1	
4	Rubber pedal	-	-	-	-	GU13432640	1	
5	Lateral stand spring	-	-	-	-	GU12434001	2	
6	Screw	-	-	-	-	GU98054530	2	
7	Spacer	-	-	-	-	GU91181114	2	
8	Spring	-	-	-	-	GU94322215	2	
9	Washer	-	-	-	-	GU95000210	2	
10	Nut M10x1,5	-	-	-	-	GU92630510	2	
11	Lateral stand	-	-	-	-	GU27432085	1	
12	Lockup rubber	-	-	-	-	GU19433000	1	
13	Pin	-	-	-	-	GU99105129	1	
14	Spring	-	-	-	-	GU19434000	2	
18	RH front foot rest pipe	-	-	-	-	GU23440710	1	
19	LH front foot rest pipe	-	-	-	-	GU23441810	1	
20	Washer	-	-	-	-	GU95000208	2	
21	Spring	-	-	-	-	GU03441130	2	
22	Split pin	-	-	-	-	GU95500222	2	
23	Plate	-	-	-	-	GU23441210	2	
24	Rubber pedal	-	-	-	-	GU23443210	2	
25	Spring washer	-	-	-	-	GU95129130	2	
26	Rear footrest	-	-	-	-	GU23442310	2	
27	Screw	-	-	-	-	GU98054314	2	
28	Spacer	-	-	-	-	GU91180602	2	
31	Bush	-	-	-	-	GU19017000	2	
32	Pin M10x250	-	-	-	-	GU53429500	1	
33	Washer 10,2x18x2	-	-	-	-	GU95004210	1	
34	Nut	-	-	-	-	GU92602210	1	
35	Screw	-	-	-	-	GU98052565	2	
36	Washer 10,2x18x2	-	-	-	-	GU95004210	2	
37	Nut	-	-	-	-	GU92602210	2	
38	Hex screw M6X22	-	-	-	-	GU98054322	1	
39	Nut	-	-	-	-	GU92602206	1	
40	Pin	-	-	-	-	GU23442210	2	
41	Bush 19 mm	-	-	-	-	GU18252050	4	

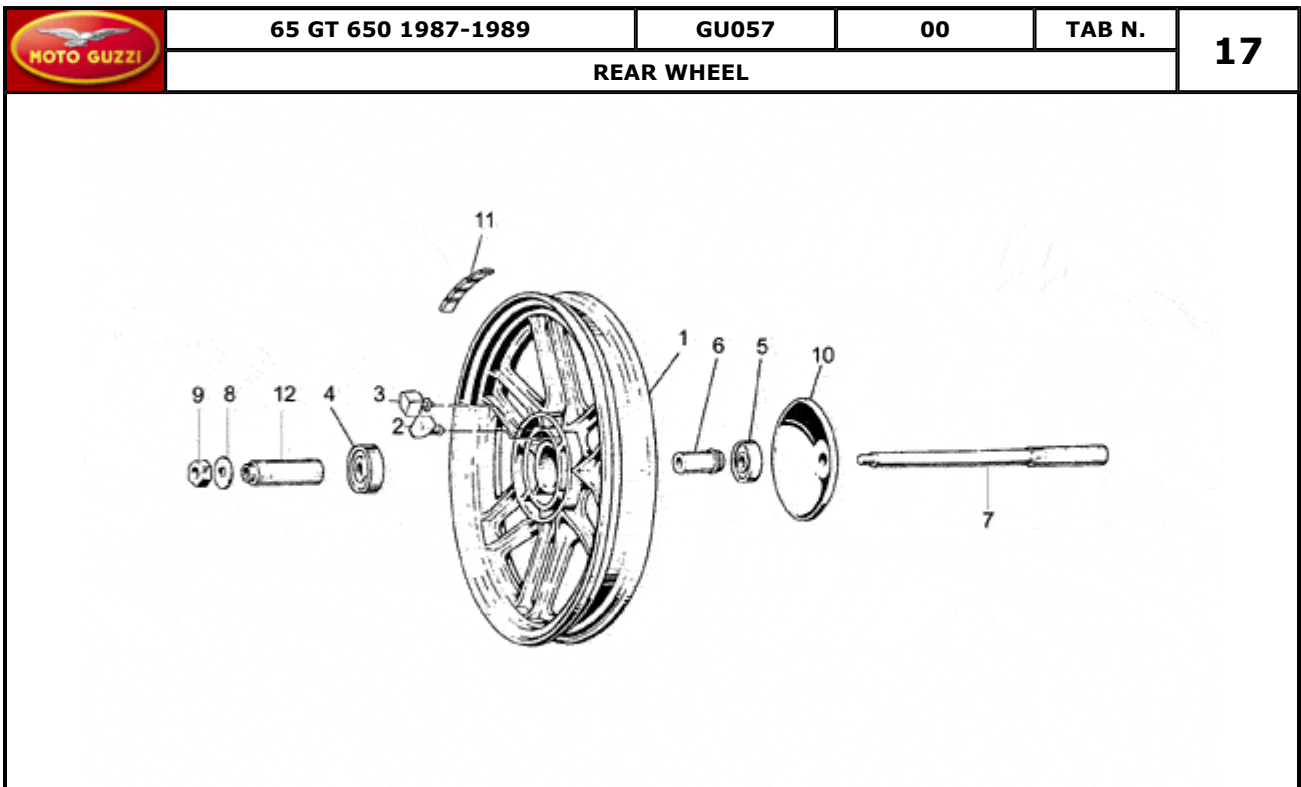


Pos.	Description	Year	I_M_	Country	Version	Code	Q.ty	P.Cod.
1	Rear brake lever	-	-	-	-	GU19677000	1	
2	Rubber spacer	-	-	-	-	GU14251001	1	
3	Spring washer	-	-	-	-	GU95129260	1	
4	Flat washer	-	-	-	-	GU95004215	1	
5	Split pin	-	-	-	-	GU95500227	1	
6	Change gear tie rod compl.	-	-	-	-	GU19675000	1	
7	Block	-	-	-	-	GU19257551	1	
8	Nut	-	-	-	-	GU92690073	1	
9	Circlip	-	-	-	-	GU90271003	1	
10	Pin	-	-	-	-	GU95770265	1	
11	Washer	-	-	-	-	GU95129110	1	
12	Split pin	-	-	-	-	GU95500222	1	
13	Rear master cylinder	-	-	-	-	GU31666990	1	
14	Rear brake lever	-	-	-	-	GU19667500	1	
15	Rear brake lever spring	-	-	-	-	GU19667600	1	
16	Washer 6,15x11x0,8	-	-	-	-	GU95008206	1	
17	Screw	-	-	-	-	GU98054330	2	
18	Washer	-	-	-	-	GU95000206	2	
19	Notched washer	-	-	-	-	GU95021106	2	
20	Nut	-	-	-	-	GU92602206	2	
21	Brake oil tank	-	-	-	-	GU65663500	1	
23	Tank cap	-	-	-	-	GU17661052	1	
24	Rear brake hose	-	-	-	-	GU00823950050	1	
25	Hose clamp	-	-	-	-	GU69157801	2	
26	Screw	-	-	-	-	GU98054216	2	
27	Washer 5,25x14x1,5	-	-	-	-	GU95100059	2	
28	Pump connection overhaul unit	-	-	-	-	GU19659500	1	
29	Lever overhaul kit	-	-	-	-	GU19659600	1	
30	Pump revision kit	-	-	-	-	GU17659350	1	
31	Spacer 7X12X5	-	-	-	-	GU91180705	2	

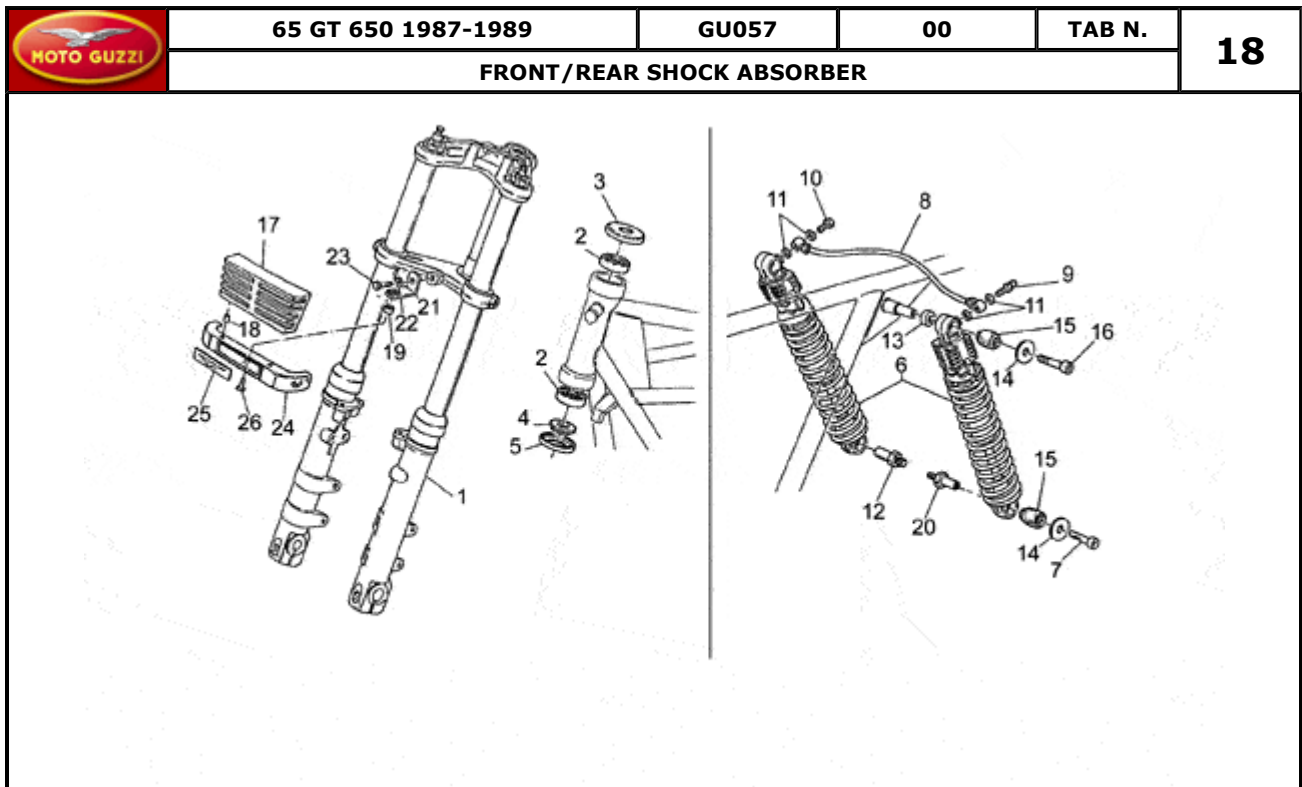
	65 GT 650 1987-1989	GU057	00	TAB N.	16
	FRONT WHEEL				



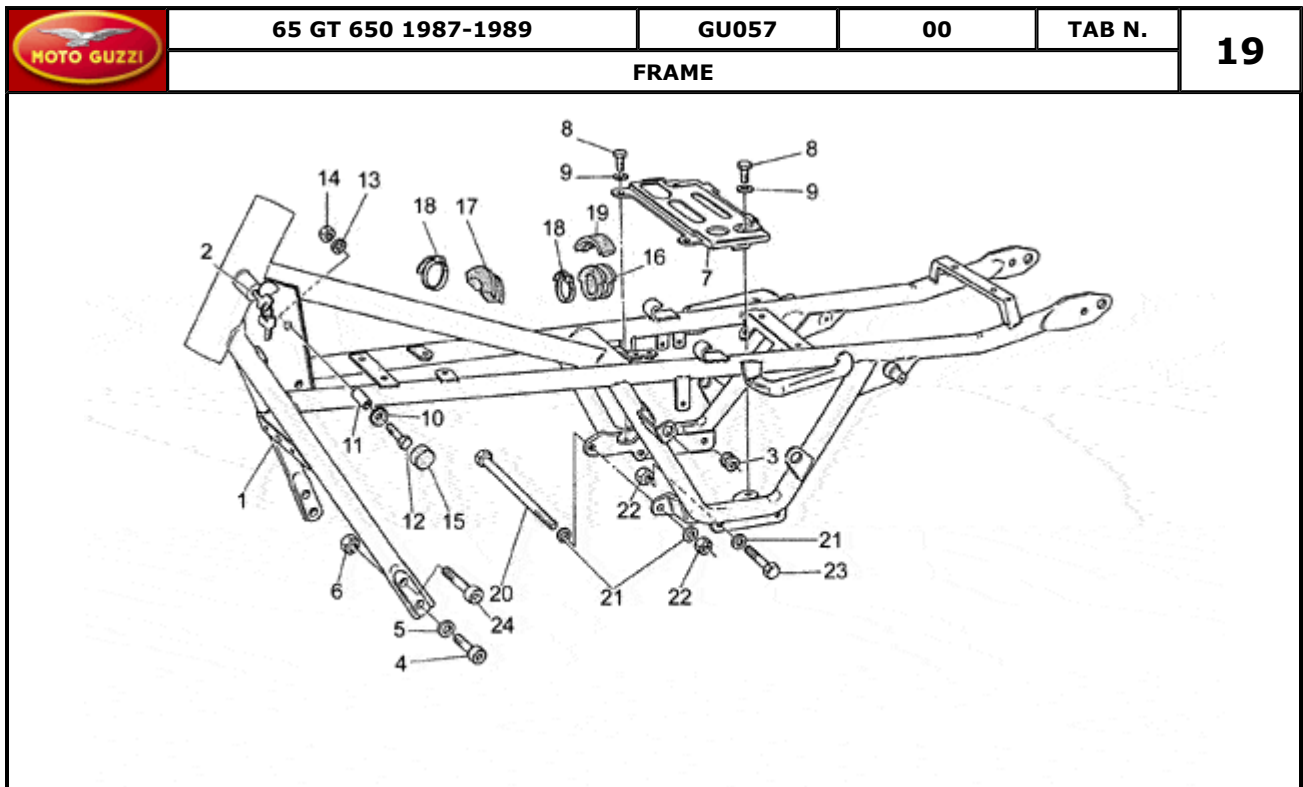
Pos.	Description	Year	I_M	Country	Version	Code	Q.ty	P.Cod.
1	Front wheel	-	-	-	-	GU196103351	1	
2	Bearing	-	-	-	-	GU92204217	2	
3	Spacer	-	-	-	-	GU19615335	1	
4	Brake disc	-	-	-	-	GU31613380	2	
5	Screw m8x90	-	-	-	-	GU98052490	6	
6	Cap nut	-	-	-	-	GU92730082	6	
7	Washer	-	-	-	-	GU95000208	12	
8	Front wheel spindle	-	-	-	-	GU62614120	1	
9	Washer 17X27X2	-	-	-	-	GU95004217	1	
10	Nut M16X1,5	-	-	-	-	GU92602516	1	
11	Counterweight	-	-	-	-	GU14616150	4	
12	Spacer	-	-	-	-	GU62616320	1	
13	Spacer	-	-	-	-	GU91181804	1	
14	Flange	-	-	-	-	GU14611255	2	
15	Speedometer gear Z=20/10	-	-	-	-	GU61762530	1	



Pos.	Description	Year	I_M	Country	Version	Code	Q.ty	P.Cod.
1	Rear wheel	-	-	-	-	GU23630640	1	
2	RH rubber coupling	-	-	-	-	GU19632501	6	
3	LH rubber coupling	-	-	-	-	GU19632502	6	
4	Bearing	-	-	-	-	GU92204218	1	
5	Bearing	-	-	-	-	GU92204217	1	
6	Bearing internal spacer	-	-	-	-	GU19633935	1	
7	Rear wheel spindle	-	-	-	-	GU19633360	1	
8	Washer	-	-	-	-	GU14634400	1	
9	Nut M6X1,5	-	-	-	-	GU92602316	1	
10	Protection	-	-	-	-	GU19636400	1	
11	Counterweight	-	-	-	-	GU14616150	2	
12	Spacer	-	-	-	-	GU19634100	1	



Pos.	Description	Year	I_M_	Country	Version	Code	Q.ty	P.Cod.
1	Front fork	-	-	-	-	GU23490340	1	
2	Tap.roller bearing	-	-	-	-	GU92249225	2	
3	Cup	-	-	-	-	GU14494600	1	
4	Clearance washer	-	-	-	-	GU14516700	1	
5	Dust cover	-	-	-	-	GU14517000	1	
6	Shock absorber	-	-	-	1A	GU23999290	1	
	Rear shock absorber	-	-	-	28695C-2A	GU31550240	2	
7	Screw	-	-	-	-	GU98822416	2	
8	Pipe	-	-	-	-	GU19556160	1	
9	Air valve	-	-	-	-	GU28556250	2	
10	Bored screw	-	-	-	-	GU28556450	1	
11	Copper washer	-	-	-	-	GU28556350	4	
12	Pin	-	-	-	-	GU19555200	1	
13	Spacer	-	-	-	-	GU91181407	3	
14	Washer	-	-	-	-	GU95100256	4	
15	Silent-block	-	-	-	-	GU14551655	4	
16	Screw	-	-	-	-	GU98620450	2	
17	Turn indicator support grill	-	-	-	-	GU23505810	1	
18	Pin	-	-	-	-	GU23922210	2	
19	Spacer	-	-	-	-	GU91180706	1	
20	Pin	-	-	-	-	GU19555260	1	
21	Plate	-	-	-	-	GU19498060	1	
22	Special washer	-	-	-	-	GU61013800	1	
23	Hex screw M6X20	-	-	-	-	GU98054320	1	
24	Clamp	-	-	-	-	GU23751310	1	
25	Trademark sticker	-	-	-	-	GU28769533	1	
26	Screw	-	-	-	-	GU98326014	1	



Pos.	Description	Year	I_M	Country	Version	Code	Q.ty	P.Cod.
1	Frame	-	-	-	-	GU23400140	1	
2	Lock	-	-	-	-	GU19782520	2	
3	Rubber spacer	-	-	-	-	GU91551085	4	
4	Screw 25 mm	-	-	-	-	GU98622525	2	
5	Washer	-	-	-	-	GU95120105	4	
6	Nut	-	-	-	-	GU92602210	4	
7	Plate	-	-	-	-	GU27418220	1	
8	Hex screw M8X16	-	-	-	-	GU98054416	4	
9	Washer	-	-	-	-	GU95000208	4	
10	Disc	-	-	-	-	GU39103500	2	
11	Spacer	-	-	-	-	GU91180716	2	
12	Screw	-	-	-	-	GU98054325	2	
13	Washer 6,15x11x0,8	-	-	-	-	GU95008206	2	
14	Nut M6x1	-	-	-	-	GU92630106	2	
15	Drift	-	-	-	-	GU39103400	2	
16	Rubber spacer	-	-	-	-	GU27109085	2	
17	Drift	-	-	-	-	GU14107100	1	
18	Hose clamp 3,6x20,6	-	-	-	-	GU14609650	3	
19	Rubber spacer	-	-	-	-	GU27108935	2	
20	Pin M10x205	-	-	-	-	GU98110199	1	
21	Washer 10,2x18x2	-	-	-	-	GU95004210	3	
22	Nut	-	-	-	-	GU92602210	2	
23	Screw	-	-	-	-	GU98052555	2	
24	Screw	-	-	-	-	GU98620545	2	



65 GT 650 1987-1989

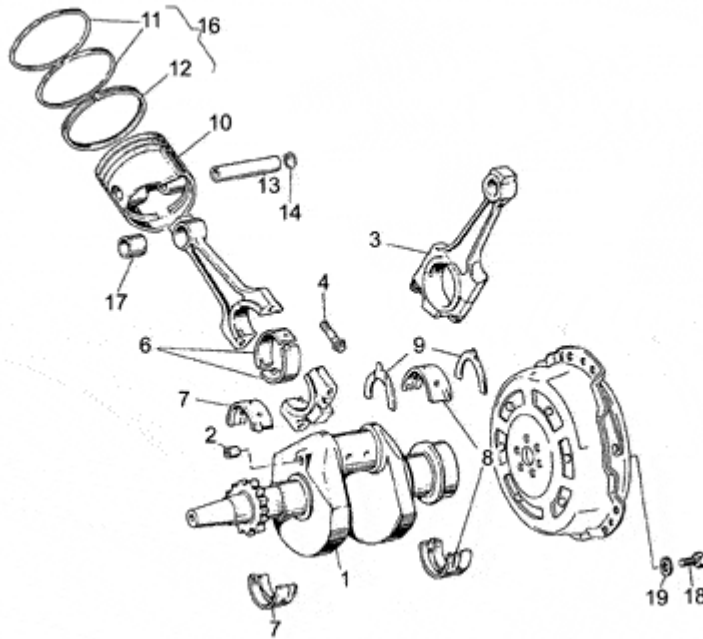
GU057

00

TAB N.

20

DRIVE SHAFT



Pos.	Description	Year	I_M	Country	Version	Code	Q.ty	P.Cod.
1	Drive shaft	-	-	-	-	GU19064161	1	
2	Plug	-	-	-	-	GU19065400	1	
3	Connecting rod	-	-	-	-	GU19061561	2	
4	Screw	-	-	-	-	GU19062261	4	
6	Bearing half-shell	-	-	-	-	GU27062060	4	
7	Front main half-bearing	-	-	-	-	GU27065660	2	
8	Rear main half-bearing	-	-	-	-	GU27066560	2	
9	Half-clamp	-	-	-	-	GU27066460	2	
10	Piston assy	-	-	-	-	GU23060271	2	
11	Slot piston ring	-	-	-	-	GU19060763	4	
12	Scraper ring	-	-	-	-	GU19061063	2	
13	Piston pin	-	-	-	-	GU19061263	2	
14	Stop ring	-	-	-	-	GU19061363	4	
16	Pistonring set	-	-	-	-	GU19060663	2	
17	Bushing	-	-	-	-	GU19061860	2	
18	Screw	-	-	-	-	GU19067700	6	
19	Washer 8,4X13X0,8	-	-	-	-	GU14615901	6	

T.L.M.

X

Dell'orto

MOTOVEICOLE			CARBURATORE				PRESA ARIA			TARATURE																								
TIPO	CILINDRATA	TEMP.	N° QUINDI	TIPO	N° INVALVOLA	N° TAVOLA CATALOGO	TIPO	RIFER.	TUBIETTI	DIPUSORE	VALVOLA ARIA	VALVOLA GAS	SPILLO CONICO	TACCA	POLVERIZZATORE	VALV. PORTOGA	VALV. MINIO	VALV. AVVIA	GETTO AVVIA	GETTO AVVIA	GETTO PORTOGA	GETTO MASSINO	GETTO PORTOGA	GETTO MASSINO	VALV. PORTOGA	VALV. MINIO	VALV. AVVIA	GETTO AVVIA	GETTO PORTOGA	ASTNA A CONO	VALV. A SPILLO	VALLEGIANTE	PORTATA PORTOGA DE 2.53 x 25 PORT.	
																																		1
Motociclo 1000 Convent 1975	1020	4	2	VHB 30 CS/CD *	365/152	1.30.22.540	-	-	-	-	-	-	-	-	265	-	-	50	60	-	125	-	-	-	-	-	80	-	-	-	-	-	1-g. 10	-
				VHB 30 CS/CD	365/152	1.30.22.540	-	-	-	-	-	-	-	-	265	-	-	50	60	-	125	-	-	-	-	-	60	-	-	-	-	-	1-g. 10	-
Motociclo 125 Turismo 1975	125	2	1	VHB 22 BS *	366/4	1.30.11.470	424/82	-	-	-	-	-	-	-	260 S	-	-	45	70	-	72	-	-	-	-	-	70	-	-	-	-	-	1-g. 10	-
				VHB 22 BS	366/4	1.30.11.470	424/82	-	-	-	-	-	-	-	260 S	-	-	45	70	-	72	-	-	-	-	-	70	-	-	-	-	-	1-g. 10	-
Motociclo 300 G.T.S. - BS 1975	310	4	4	VHB 20 D *	19/407	1.30.12.475	-	-	-	-	-	-	-	-	262 AE	-	-	45	50	-	82	-	-	-	-	-	50	-	-	-	-	-	2-g. 14	-
				VHB 20 D	19/407	1.30.12.475	-	-	-	-	-	-	-	-	262 AE	-	-	45	50	-	82	-	-	-	-	-	50	-	-	-	-	-	2-g. 14	-
Motociclo 400 G.T.S. 1975	400	4	4	VHB 20 D *	19/405	1.30.12.477	-	-	-	-	-	-	-	-	262 AE	-	-	45	50	-	88	-	-	-	-	-	50	-	-	-	-	-	2-g. 14	-
				VHB 20 D	19/405	1.30.12.477	-	-	-	-	-	-	-	-	262 AE	-	-	45	50	-	88	-	-	-	-	-	50	-	-	-	-	-	2-g. 14	-
Motociclo Le Mans 1975	850	4	2	PIAF 36 BS/BD	452/220	1.30. 2.427	80/MS	-	-	-	-	-	-	-	265 AB	-	-	60	70	58	140	-	-	-	-	-	60	38	-	-	-	-	1-g. 10	5
Motociclo 254 1976	250	4	4	PIREG 16 B	19/409	1.30. 2.437	-	-	-	-	-	-	-	-	254 BQ	-	-	30	30	-	90	-	-	-	-	-	30	-	-	-	-	-	2-g. 5	-
Motociclo V35 1976	350	4	2	VHB 20 FS/FO *	367/475	1.30.13.468	-	-	-	-	-	-	-	-	250 AH	-	-	40	60	-	90	-	-	-	-	-	40	60	-	-	-	-	2-g. 14	-
				VHB 20 FS/FO	367/475	1.30.13.468	-	-	-	-	-	-	-	-	250 AH	-	-	40	60	-	90	-	-	-	-	-	40	60	-	-	-	-	2-g. 14	-
Motociclo V55 1976	500	4	2	VHB 24 FS/FO	367/677	1.30.13.468	-	-	-	-	-	-	-	-	260 AH	-	-	40	60	-	165	-	-	-	-	-	40	60	-	-	-	-	2-g. 14	-
Motociclo 650 LMK 1976	650	4	2	PIHM 40 DS/DO	463/227	1.34. 4.453	867/355	-	-	-	-	-	-	-	265 AB	-	-	60	60	-	170	-	-	-	-	-	60	-	-	-	-	-	1-g. 10	-
Motociclo V 35 Felcia 1977	350	4	2	VHB 24 FS/FO	371/611	1.30.13.468	-	-	-	-	-	-	-	-	260 AH	-	-	40	60	-	162	-	-	-	-	-	40	60	-	-	-	-	2-g. 14	-
Motociclo 1000 Convent G5 - USA 1978	1000	4	2	VHB 30 CS/CD *	371/675	1.30.22.540	-	-	-	-	-	-	-	-	265	-	-	50	80	-	125	-	-	-	-	-	50	80	-	-	-	-	1-g. 10	-
				VHB 30 CS/CD	371/675	1.30.22.540	-	-	-	-	-	-	-	-	265	-	-	50	80	-	125	-	-	-	-	-	50	80	-	-	-	-	1-g. 10	-
Motociclo 354 Sport-Turismo 1978	350	4	4	VHB 20 D	19/414	1.30.12.525	-	-	-	-	-	-	-	-	260 AE	-	-	45	50	-	88	-	-	-	-	-	45	50	-	-	-	-	2-g. 14	-
Motociclo V25 26-47 1979	125	4	2	PIHBS 20 B	19/417	1.38. 2.554	-	-	-	-	-	-	-	-	253 BP	-	-	35	50	-	92	-	-	-	-	-	35	50	-	-	-	-	2-g. 5	-
Motociclo V35 Sport - Inca - II 1979	350	4	2	VHBE 26 FS/FO	372/629	1.30.13.468	-	-	-	-	-	-	-	-	260 AH	-	-	40	60	-	165	-	-	-	-	-	40	60	-	-	-	-	2-g. 14	-
Motociclo V30 II - V50 Monza 1980	500	4	2	PIHBI 20 BS/BD	333/540	1.38. 2.464	-	-	-	-	-	-	-	-	263 T	-	-	50	60	-	118	-	-	-	-	-	50	60	-	-	-	-	1-g. 11	-
Motociclo V1000 Casard - Le Mans 1980	960	4	2	PIHF 30 BS/BD	455/657	1.33. 4.547	-	-	-	-	-	-	-	-	252 AB1	-	-	65	75	38	112	-	-	-	-	-	65	75	38	-	-	-	1-g. 10	8
Motociclo V30 III - V50 Monza USA 1981	500	4	2	PIHBI 26 BS/BD	335/552	1.38. 2.464	-	-	-	-	-	-	-	-	252 T1	-	-	45	50	-	118	-	-	-	-	-	45	50	-	-	-	-	1-g. 11	-
Motociclo 650 LM II 1981	650	4	2	PIHF 36 BS/BD	453/505	1.33. 2.427	-	-	-	-	-	-	-	-	268 AB	-	-	50	70	33	115	-	-	-	-	-	50	70	33	-	-	-	1-g. 10	8

MOTOVEICOLO				CARBURATORE				PRESA ARIA			TARATURE															
TIPO	CILINDRATA	TEMPI	N° CILINDRI	TIPO	N° REGOLAZIONE	N° TAVOLA CATALOGO	TIPO	INFER.	TUBETTI	DIFFUSORE	VALVOLA ARIA	VALVOLA GAS	SPILLO CONDO	TACCA	POLVERIZZATORE	EMULS. POTENZA	PAUS. MANTO	GETTO MASSIMO	GETTO POTENZA	GETTO MINIMO	GETTO KM/MH	GETTO POUKA	CALIBRATORE ARIA MASSIMO	ASTINA A CONO VALV. A SPILLO	CAUSIGIANTE	PORTATA POUKA DC. A 15 X 25 PPM
Motorciclo 500 LM III - USA 1991	450	4	2	PHF 30 OSDD	4000N1	1.33. 4.620	-	-	-	36	500	K 27	2	262 AB1	-	2	120	-	95	75	33	-	350	1 - gr. 10	8	
Motorciclo V65 1902	650	4	2	PHBH 30 BSDD	3300N0	1.30. 2.464	-	-	-	35	40	X 6	2	249 T	-	-	105	-	40	60	-	-	200	1 - gr. 11	-	
Motorciclo 450 LM III 1982	650	4	2	PHM 40 OSDD	4400N0	1.34. 4.450	3573-55	-	-	40	60	K 4	2	265 AB	-	-	170	-	60	-	-	-	300	1 - gr. 10	-	
Motorciclo V65 1983	650	4	2	PHBT 30 CSDD	3740N3	1.30.22.540	-	-	-	30	40	V 9	2	265	-	-	130	-	50	60	-	-	200	1 - gr. 10	-	
Motorciclo Guzzi V65 USA 1983	643	4	2	PHBH 30 ES	3042	1.39. 7.738	-	-	-	30	50	X 22	2	264	-	BF2	105	-	45	60	-	-	250	1 - gr. 11	-	
Motorciclo Guzzi V65 USA 1983	643	4	2	PHBH 30 ED	3000	1.39. 7.738	-	-	-	30	50	X 22	2	263	-	BF2	105	-	45	60	-	-	200	1 - gr. 11	-	
Motorciclo 1000 California II USA 1983	949	4	2	PHF 30 OS	4614	1.33. 4.547	-	-	-	30	500	K 27	2	261 AB1	-	BF2	135	-	40	75	30	-	250	1 - gr. 10	8	
Motorciclo 1000 California I USA 1983	949	4	2	PHF 30 OD	4615	1.33. 4.547	-	-	-	30	500	K 27	2	261 AB1	-	BF2	135	-	40	75	30	-	250	1 - gr. 10	8	
Motorciclo 1000 SP II 1984	949	4	2	PHBT 30 OS	3747	1.30.22.540	-	-	-	30	40	V 9	2	265	-	-	125	-	50	60	-	-	250	1 - gr. 10	-	
Motorciclo 1000 SP II 1984	940	4	2	PHBT 30 OD	3746	1.30.22.540	-	-	-	30	40	V 9	2	265	-	-	125	-	50	60	-	-	250	1 - gr. 10	-	
Motorciclo 15 1984	850	4	2	PHF 30 OS	4621	1.33. 4.547	-	-	-	30	500	K 23	3	264 AB	-	-	130	-	50	75	30	-	250	1 - gr. 10	2	
Motorciclo 15 1984	850	4	2	PHF 30 OD	4622	1.33. 4.547	-	-	-	30	500	K 23	3	264 AB	-	-	130	-	50	75	30	-	250	1 - gr. 10	2	
Motorciclo 1000 LM IV 1984	950	4	2	PHM 40 NS	4679	1.34.10.734	-	-	-	40	605	K 19	3	269 AB	-	-	145	-	57	60	35	-	300	1 - gr. 10	5	
Motorciclo 1000 LM IV 1984	950	4	2	PHM 40 ND	4680	1.34.10.734	-	-	-	40	605	K 19	3	269 AB	-	-	145	-	57	60	35	-	300	1 - gr. 10	5	
Guzzi V65 Loro USA (H velocità) 1985	643	4	2	PHBH 30 ES	3422	1.39. 7.738	-	-	-	30	50	X 22	1	265	-	BF2	115	-	40	60	-	-	200	1 - gr. 11	-	
Guzzi V65 Loro USA (H velocità) 1985	643	4	2	PHBH 30 ED	3423	1.39. 7.738	-	-	-	30	50	X 22	1	265	-	BF2	115	-	40	60	-	-	200	1 - gr. 11	-	
Motorciclo Guzzi V75 1985	750	4	2	PHBH 30 OS	3404	1.31. 2.464	-	-	-	30	40	X 6	2	266 T	-	-	155	-	30	50	-	-	200	1 - gr. 11	-	
Motorciclo Guzzi V75 1985	750	4	2	PHBH 30 ED	3405	1.31. 2.464	-	-	-	30	40	X 6	2	266 T	-	-	155	-	30	50	-	-	200	1 - gr. 11	-	
Guzzi V65 TT (Suzuki) 1985	650	4	2	PHBH 30 ES	3420	1.30. 7.738	-	-	-	30	50	X 22	2	264	-	BF2	85	-	45	60	-	-	200	1 - gr. 11	-	
Guzzi V65 TT (Suzuki) 1985	650	4	2	PHBH 30 ED	3429	1.39. 7.738	-	-	-	30	50	X 22	2	264	-	BF2	85	-	45	60	-	-	200	1 - gr. 11	-	
Motorciclo Guzzi V65 III 1985	350	4	2	VHBE 25 FS	3751	1.30.13.466	-	-	-	26	40	E 27	2	260 AH	-	-	100	-	40	60	-	-	200	2 - gr. 14	-	
Motorciclo Guzzi V65 III 1985	350	4	2	VHBE 26 FD	3752	1.30.13.466	-	-	-	26	40	E 27	2	260 AH	-	-	108	-	40	50	-	-	200	2 - gr. 14	-	
Motorciclo 1000 LM IV USA 1985	950	4	2	PHM 40 NS	4686	1.34.10.734	-	-	-	40	500	K 33	3	260 AB1	-	BF2	150	-	62	60	30	-	300	1 - gr. 10	12	
Motorciclo 1000 LM IV USA 1985	950	4	2	PHM 40 ND	4687	1.34.10.734	-	-	-	40	500	K 33	3	260 AB1	-	BF2	150	-	62	60	30	-	300	1 - gr. 10	12	

MOTOVEICOLO			CARBURATORE			PRESA ARIA			TARATURE											
TIPO	CILINDRATA	TEMPI	TIPO	N° REGOLAZIONE	N° TAVOLA CATALOGO	TIPO	NUMERO	N° TAVOLA CATALOGO												
									DIFFUSORE	VALVOLA ARIA	VALVOLA GAS	SPILLO CONICO	TACCA	POLVERIZZATORE	EMILIA POTENZA	EMILIA MINIO	GETTO MASSIMO	GETTO POTENZA	GETTO MINIO	GETTO AVANZA
Motociclo V1000 Carnet - Le Mans 1950	950	4	PHF 30 DS/00	456057	1.33. 4.547	-	-	-	-	2	112	-	50	75	30	-	250	1-9° 10	8	
Motociclo V50 III - V50 Monza USA 1951	500	4	PHBH 28 BS/00	335/052	1.39. 2.464	-	-	-	-	2	110	-	45	60	1	150	200	1-9° 11	-	
Motociclo 650 LM II 1981	650	4	PHF 36 BS/60	455056	1.33. 2.427	-	-	-	-	3	115	-	50	70	30	-	300	1-9° 10	8	
Motociclo 650 LM II - USA 1981	650	4	PHF 36 DS/00	455051	1.33. 4.520	-	-	-	-	3	120	-	50	75	30	-	300	1-9° 10	8	
Motociclo V65 1982	650	4	PHBH 30 BS/00	335/060	1.39. 2.464	-	-	-	-	3	105	-	40	60	1	-	200	1-9° 11	-	
Motociclo 650 LM II 1982	650	4	PHM 40 DS/00	455070	1.34. 4.458	completo	88730555	1.34. 4.453	-	4	170	-	60	-	-	-	300	1-9° 10	-	
Motociclo V650 TS 1983	650	4	VHBT 30 CS/CD	3742/43	1.30.22.540	-	-	-	-	3	130	-	50	80	1	-	200	1-9° 10	-	



CATALOGO RICAMBI CARBURATORI
DELORTO
MOTOVEICOLI

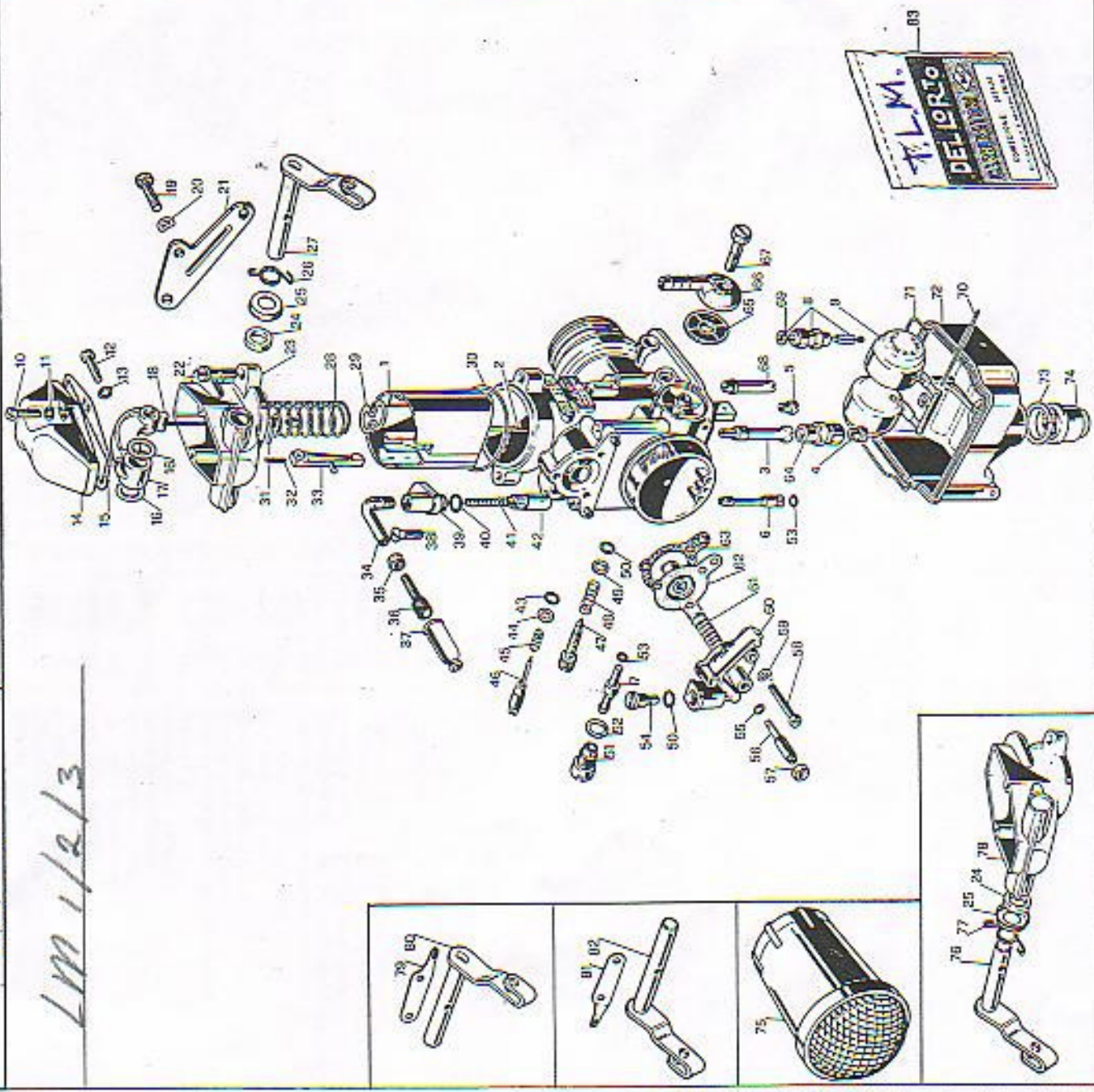
Tipo carburatore
PHF ... BS - PHF ... BD

Diametro diffusori
36

Fig. Numero
PARTICOLARI DI TARATURA

Azienda della DelOrto S.p.A. • Via S. Rocco N. 5 • 20038 Seregno (Milano) • Telefono (0362) 224001
Filiale e Stazione di Servizio: Via Melchiorre Gioia N. 61 • 20124 Milano • Telefono (02) 663103

LM 1/2/3



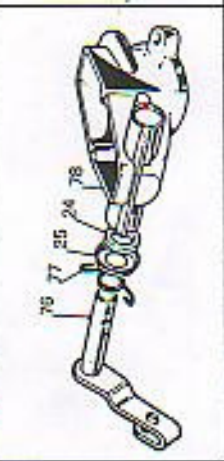
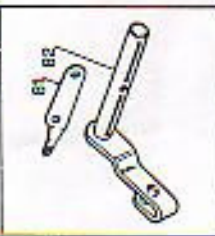
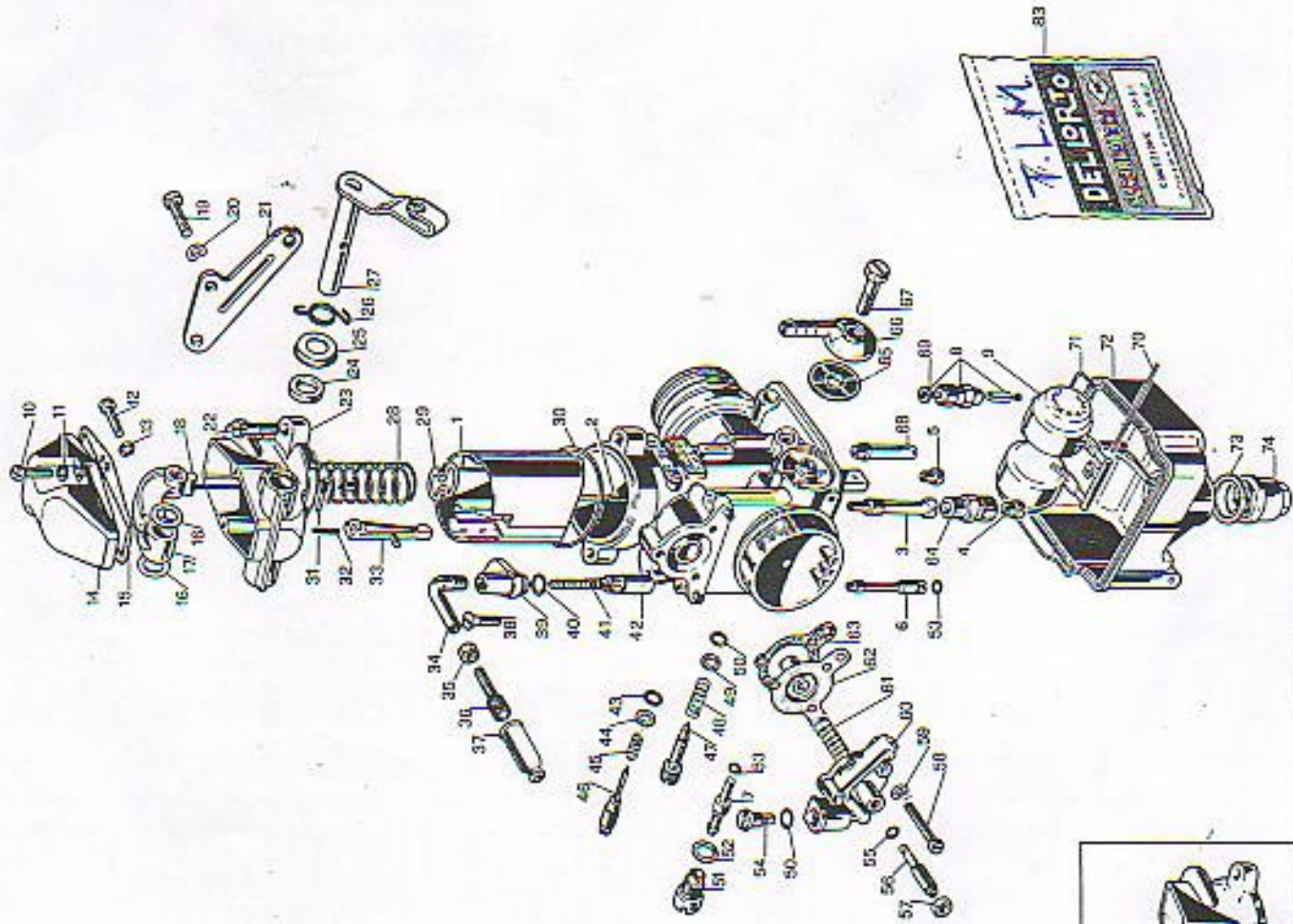
PARTICOLARI SENZA TARATURA

Numero
PARTICOLARI DI TARATURA

1	8553 x 04	Valvola gas
2	8530 x 08	Spillo conico K
3	8540 x 20	Polverizzatore AB
4	6413 x 02	Getto massimo
5	1486 x 02	Getto minimo
6	7746 x 02	Getto avviamento
7	7851 x 02	Getto pompa
8	8649 x 33	Valvola a spillo
9	7450 x 80	Galleggiante
PARTICOLARI SENZA TARATURA		
10	6429 - 36	Vite fiss. coperchietto
11	1581 - 23	Rondella elastica
12	6429 - 36	Vite fiss. leva com. gas
13	5011 - 23	Rondella elastica
14	8825 - 06	Coperchietto leva com. gas
15	*	Guarnizione coperchietto
16	*	Guarnizione leva com. gas
17	8830 - 26	Leva com. gas
18	8951 - 95	Tirante valvola gas
19	6435 - 36	Vite fiss. supporto
20	4957 - 23	Rondella elastica
21	8950 - 63	Supporto cavo com. gas
22	8542 - 36	Vite fiss. coperchio cam. miscela
23	8945 - 53	Coperchio cam. miscela
24	*	Guarnizione alberino com. gas
25	8727 - 08	Coperchietto guarnizione alberino
26	8948 - 61	Molla rich. alberino com. gas
27	8941 - 39	Alberino com. gas
28	9389 - 61	Molla rich. valvola gas
29	8525 - 21	Fermaglio spillo conico
30	*	Guarnizione coperchio cam. miscela
31	8535 - 22	Perno leva com. pompa
32	7415 - 61	Molla rich. leva pompa
33	8426 - 26	Leva com. pompa
34	8028 - 35	Tubetto deviatore
35	1692 - 27	Dado blocc. vite tendifilo
36	1481 - 37	Vite tendifilo
37	1476 - 06	Cappuccio cavo disp. avviam.
38	7745 - 36	Vite fiss. coperchio disp. avviam.
39	8295 - 08	Coperchio disp. avviam.
40	*	Guarnizione coperchio disp. avviam.
41	4043 - 61	Molla rich. valvola avviam.
42	3238 - 64	Valvola avviamento
43	*	Guarnizione vite reg. miscela minimo
44	8260 - 23	Rondella piana
45	7446 - 01	Molla vite reg. miscela minimo
46	7449 - 37	Vite reg. miscela minimo
47	7673 - 37	Vite reg. valvola gas
48	4670 - 61	Molla vite reg. valvola gas
49	4650 - 23	Rondella piana
50	*	Guarnizione vite reg. valv. gas e valv. mand.
51	7852 - 34	Portagetto pompa
52	*	Guarnizione portagetto pompa
53	*	Guarnizione getto pompa e getto disp. avv.
54	8558 - 33	Valvola manciata
55	*	Guarnizione vite reg. membrana pompa
56	8539 - 37	Vite reg. membrana pompa
57	8599 - 27	Dado blocc. vite reg. membrana
58	8428 - 38	Vite fiss. coperchio pompa

Rondella elastica
 Copercchio pompa
 Molla membrana pompa
 Membrana pompa
 Guarnizione membrana pompa
 Portafiltro massimo
 Filtro benzina
 Pipetta racc. tubo benzina
 Vite fiss. pipetta
 Valvola aspirazione
 Guarnizione valvola a spillo
 Perno galleggianti
 Guarnizione vaschetta
 Vaschetta
 Guarnizione tappo fiss. vaschetta
 Tappo fiss. vaschetta
 Cornetto presa aria
 Alberino com. gas
 Molla rich. alberino com. gas
 Copercchio cam. miscela
 Supporto cavo com. gas (per carb. destro)
 Alberino com. gas (per carb. destro)
 Supporto cavo com. gas (per carb. sinistro)
 Alberino com. gas (per carb. sinistro)
 Busta guarnizioni
 Valvola gas

59 5011 - 23
 60 8556 - 67
 61 7626 - 61
 62 8555 - 44
 63
 64 8552 - 32
 65 6109 - 29
 66 9250 - 38
 67 4568 - 36
 68 8557 - 33
 69
 70 7346 - 22
 71
 72 7881 - 96
 73 4057 - 30
 74 8551 - 34
 75 8670 - 55
 76 8943 - 39
 77 8949 - 61
 78 8947 - 53
 79 10675 - 63
 80 10672 - 39
 81 10676 - 63
 82 10674 - 39
 83 52547 - 77
 1 11570 x 64



TLM

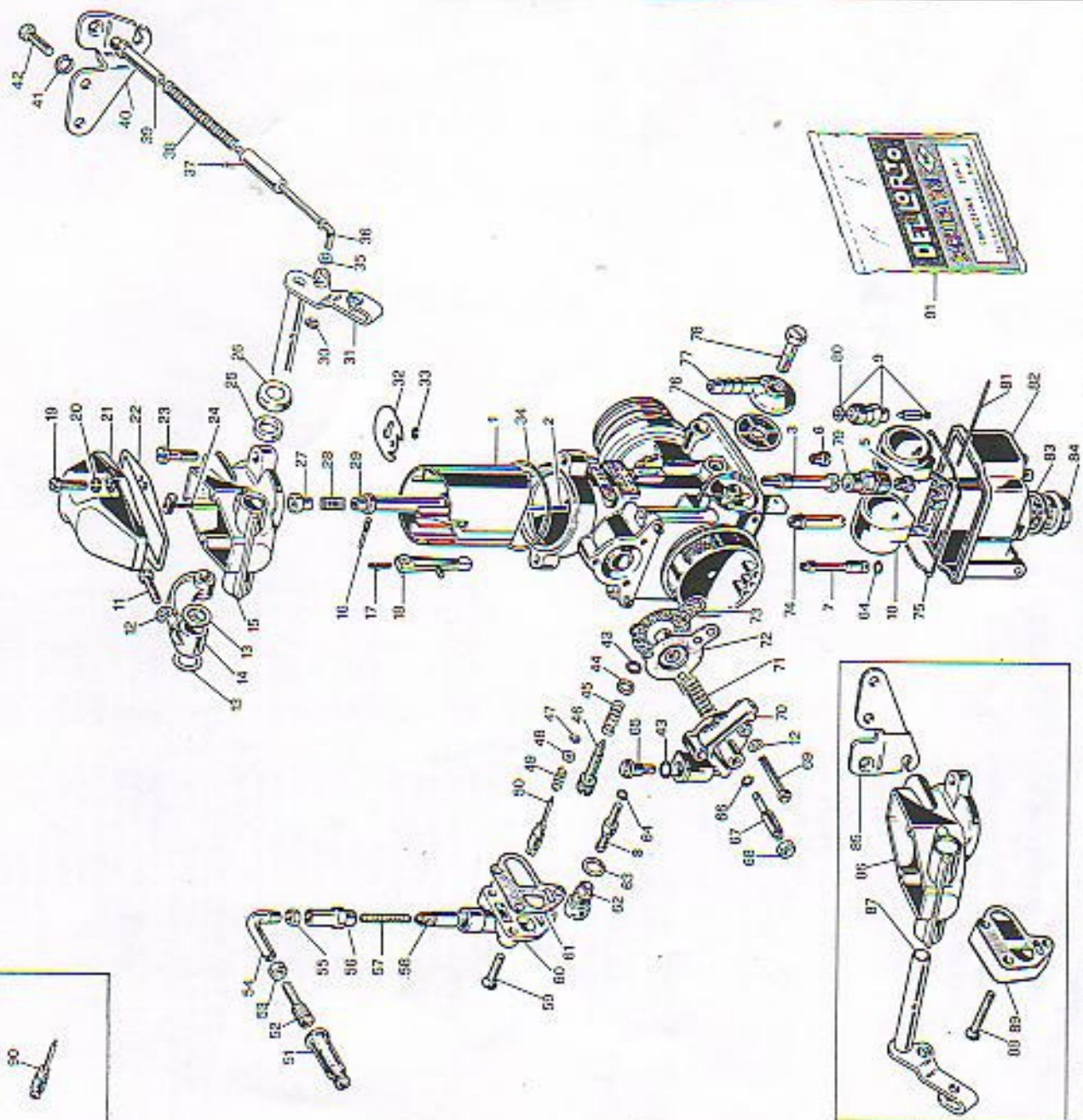


Fig.	Numero
57	3133 - 61
58	3238 - 64
59	8711 - 36
60	8887 - 56
61	•
62	10747 - 34
63	•
64	•
65	10900 - 33
66	•
67	8539 - 37
68	8599 - 27
69	8428 - 36
70	8556 - 67
71	7826 - 61
72	8555 - 44
73	•
74	8557 - 33
75	•
76	6109 - 29
77	9250 - 38
78	4568 - 36
79	8885 - 32
80	•
81	7346 - 22
82	10557 - 96
83	•
84	10238 - 34
85	11788 - 63
86	11799 - 53
87	11785 - 39
88	11650 - 36
89	11651 - 58
90	9908 - 37
91	52560 - 77

Descrizione
Molla richiamo valvola avviamento
Valvola avviamento
Vite fiss. corpo disp. avviam. (per carb. sinistro)
Corpo dispositivo avviamento
Guarnizione corpo disp. avviam. (per carb. sinist.)
Portagetto pompa
Guarnizione portagetto pompa
Guarnizione getta pompa e getto avviamento
Valvola mandata
Guarnizione vite reg. membrana pompa
Vite regolazione vite reg. membrana pompa
Dado bloccaggio vite regolazione membrana
Vite fissaggio coperchio pompa
Coperchio pompa
Molla membrana pompa
Membrana pompa
Guarnizione membrana pompa
Valvola aspirazione
Guarnizione vaschetta
Filtro benzina
Pipetta raccordo tubo benzina
Vite fissaggio pipetta
Portagetto massimo
Guarnizione valvola a spillo
Perno galleggiante
Vaschetta
Guarnizione tappo fissaggio vaschetta
Tappo fissaggio vaschetta
Supporto cavo gas (per carb. destro)
Coperchio cam. miscela (per carb. destro)
Alberino com. gas (per carb. destro)
Vite fiss. corpo disp. avviam. (per carb. destro)
Guarnizione distanziale (per carb. destro)
Vite regolazione miscela minimo
Busta guarnizioni

○ Sostituisce la precedente serie VHB ... CS/CD che prevedeva il montaggio dello spillo chiusura benzina 4539 - 05 anziché l'attuale valvola a spillo 9436 x 33.

T3 enz.

Tipo carburatore
VHBT ... CS - VHBT ... CD

Diametro diffusori
29 - 30

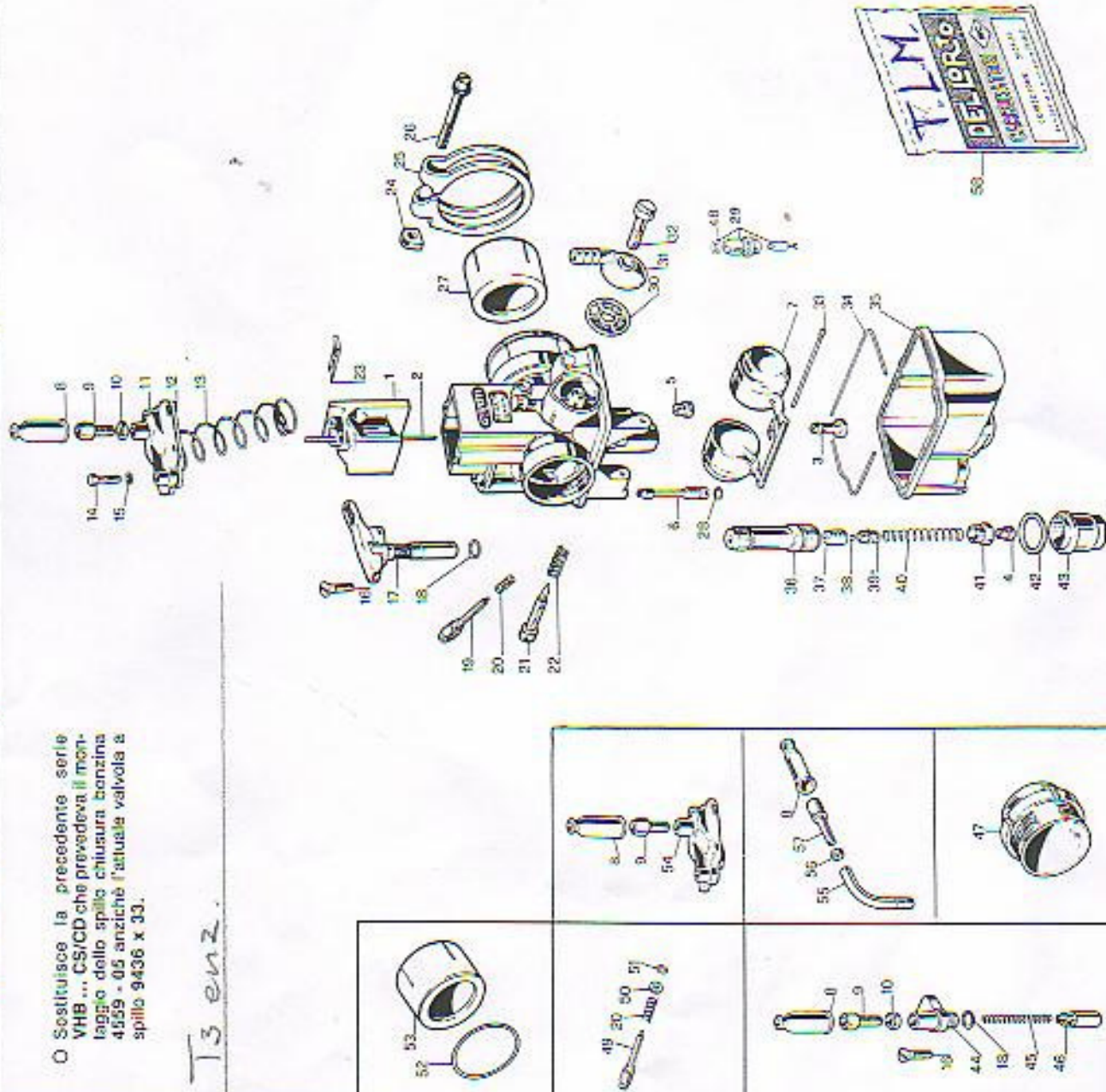
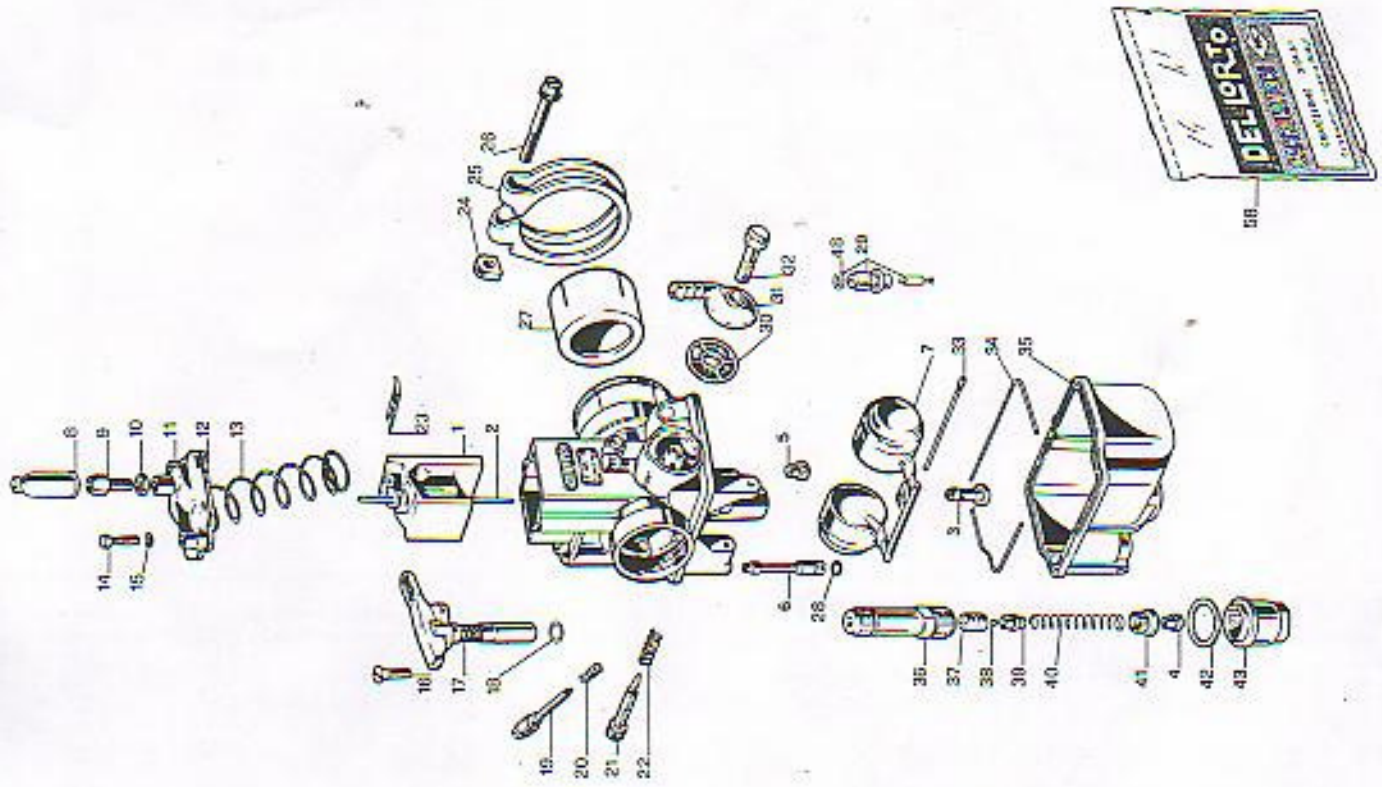


Fig.	Numero	Descrizione
PARTICOLARI DI TARATURA		
1	7454 x 64	Valvola gas
2	9912 x 64	Valvola gas (per spillo in appoggio)
3	7455 x 00	Spillo conico V
4	7078 x 28	Polverizzatore
5	1486 x 02	Getto massimo
6	1486 x 02	Getto minimo
7	7746 x 02	Getto avviamento
	7450 x 80	Galleggiante
PARTICOLARI SENZA TARATURA		
8	1476 - 06	Cappuccio cavo gas
9	1104 - 37	Vite landillio
10	1691 - 27	Dado blocc. vite landillio
11	7338 - 53	Coperchio cam. miscela (zama)
12	1493-22-00	Guarnizione coperchio cam. miscela
13	7448 - 61	Molla rich. valvola gas
14	3978 - 36	Vite fiss. coperchio cam. miscela
15	5011 - 23	Rondella elastica
16	7745 - 36	Vite fiss. disp. avviamento
17	8293 - 64	Dispositivo avviamento
18	8297 - 30	Guarnizione disp. avviamento
19	7449 - 37	Vite reg. miscela minimo
20	7446 - 61	Molla vite reg. miscela minimo
21	7673 - 37	Vite reg. valvola gas
22	4670 - 61	Molla vite reg. valvola gas
23	1407 - 21	Fermaglio spillo conico
24	8128 - 27	Plastina vite serr. anello
25	8142 - 50	Anello serr. manico
26	8127 - 36	Vite serr. anello
27	7453 - 62	Riduzione isolante (da Ø 40 a Ø 36)
28	8434 - 62	Riduzione isolante (da Ø 40 a Ø 37)
29	6173-30 9436 x 33	Guarnizione getto avviamento Valvola a spillo
30	6109 - 29	Filtro benzina
31	9250 - 38	Pipetta racc. tubo benzina
32	4568 - 36	Vite fiss. pipetta
33	7346 - 22	Perno galleggiante
34	•	Guarnizione vaschetta
35	7001 - 96	Vaschetta
36	7079 - 32	Corpo pompa
	8430 - 32	Corpo pompa (n° 1 rigatura)
	9325 - 32	Corpo pompa (n° 2 rigature)
37	7831 - 64	Pistoncino pompa
38	7185 - 03	Valvola a sfera
39	7832 - 33	Sede valvola
40	7022 - 61	Molla pistoncino
41	7028 - 34	Tappo portafetto massimo
42	4057-30	Guarnizione tappo fiss. vaschetta
43	7880 - 34	Tappo fiss. vaschetta
44	8295 - 06	Coperchio disp. avviamento
45	4043 - 61	Molla valvola avviamento
46	3238 - 64	Valvola avviamento
47	1950 - 02	Raccordo presa aria
48	•	Guarnizione valvola a spillo
49	9908 - 37	Vite reg. miscela minimo
50	8260 - 23	Rondella piana
51	•	Guarnizione vite reg. miscela minimo
52	•	Guarnizione riduzione isolante
53	9910 - 62	Riduzione isolante (da Ø 40 a Ø 37)
54	10921 - 53	Coperchio cam. miscela (hostalorm)

Fig.	Numero	Denominazione
55	3600 - 35	Tubetto deviatore
56	1692 - 27	Dado blocc. vite lardifilo
57	1481 - 37	Vite lardifilo
58	52510 - 77	Busta guarnizioni



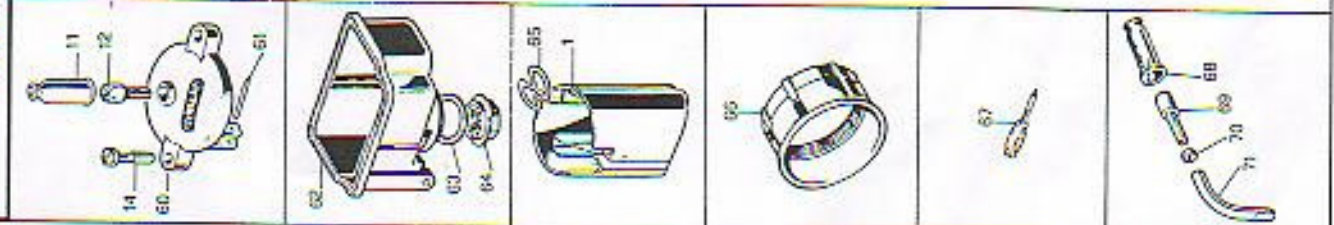
• Compresa nella busta guarnizioni

seguito 1.30.22.540

CATALOGO RICAMBI CARBURATORI
DELORTO
 MOTOVEICOLI

Tipo carburatore
PHF ... DD - PHF ... DS

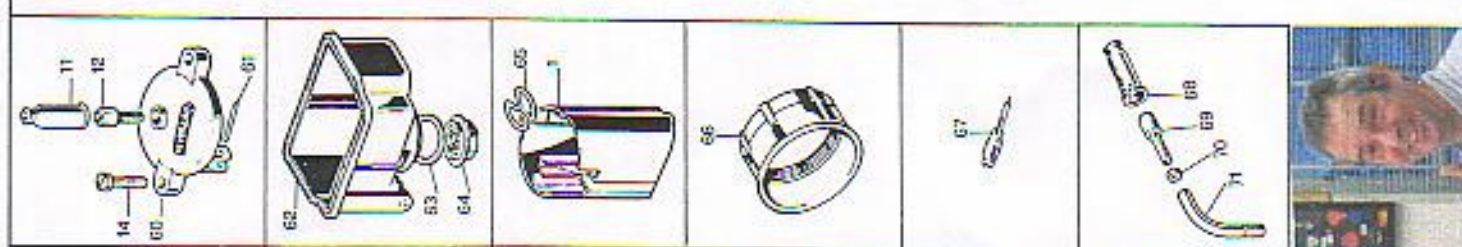
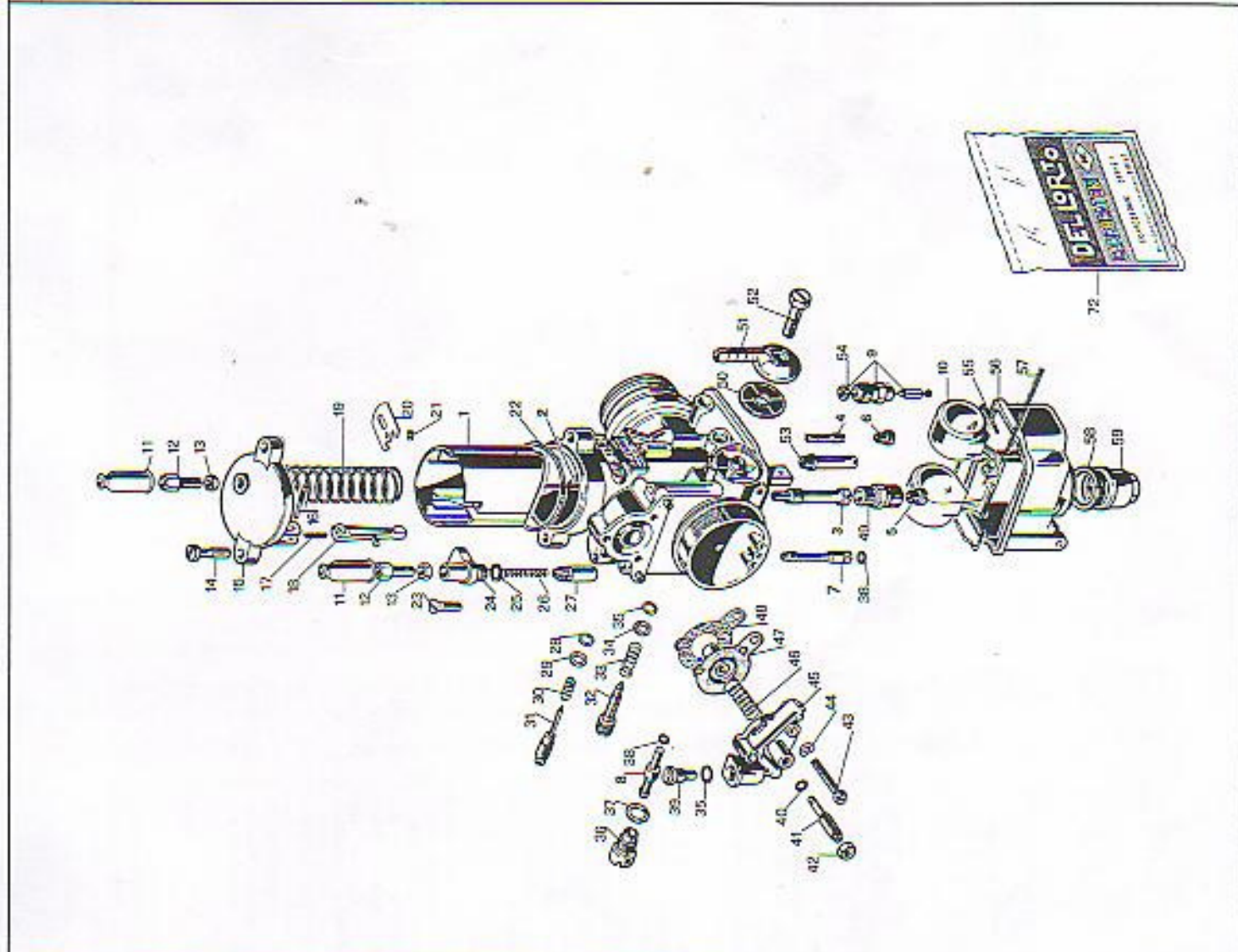
Diametro diffusori
30 - 32



T5 SP4 Cal 3

Fig.	Numero	Descrizione
PARTICOLARI DI TARATURA		
1	10352 x 64	Valvola gas
2	11462 x 64	Valvola gas (scarico posteriore 2 x 1,5)
3	8530 x 08	Spillo conico K
4	8540 x 28	Polverizzatore AB 1
5	9980 x 28	Emulsionatore minimo
6	6413 x 02	Getto massimo
7	1488 x 02	Getto minimo
8	7746 x 02	Getto avviamento
9	7651 x 02	Getto pompa
10	8649 x 33	Valvola a spillo
	7450 x 80	Galleggiante
PARTICOLARI SENZA TARATURA		
11	1476 - 06	Cappuccio cavo gas
12	1104 - 37	Vite tendiliffo
13	1691 - 27	Dado blocc. vite tendiliffo
14	8542 - 36	Vite fiss. coperchio cam. miscela
15	8519 - 53	Coperchio cam. miscela (alluminio)
16	8535 - 22	Perno leva cam. pompa (par coperchio 8519-53)
17	7415 - 61	Molla rich. leva pompa
18	0522 - 26	Leva cam. pompa
19	8550 - 61	Molla rich. valvola gas (kg. 0,7 a mm. 70)
20	8532 - 61	Molla rich. valvola gas (kg. 1,1 a mm. 70)
21	10348 - 21	Plastrina ril. lermaglio spillo conico
22	9596 - 21	Fermaglio spillo conico (par valvola 10352)
23	*	Guarnizione coperchio cam. miscela
24	7745 - 36	Coperchio disp. avviamento
25	8295 - 06	Guarnizione coperchio disp. avviamento
26	4043 - 61	Molla rich. valvola avviamento
27	3238 - 64	Valvola avviamento
28	*	Guarnizione vite reg. miscela minimo
29	8260 - 23	Rondella piana
30	7446 - 61	Molla vite reg. miscela minimo
31	9908 - 37	Vite reg. miscela minimo
32	7673 - 37	Vite reg. valvola gas
33	4670 - 61	Molla vite reg. valvola gas
34	4650 - 23	Rondella piana
35	*	Guarnizione vite reg. valv. gas e valv. mandata
36	10747 - 34	Portagetto pompa
37	*	Guarnizione portagetto pompa
38	*	Guarnizione getto pompa e getto disp. avv.
39	10800 - 33	Valvola mandata
40	*	Guarnizione vite reg. membrana pompa
41	8539 - 37	Vite reg. membrana pompa
42	8599 - 27	Dado blocc. vite reg. membrana pompa
43	8420 - 36	Vite fiss. coperchio pompa
44	5011 - 23	Rondella elastica
45	8556 - 67	Coperchio pompa
46	7626 - 61	Molla membrana pompa
47	8555 - 44	Membrana pompa
48	*	Guarnizione membrana pompa
49	8552 - 32	Portagetto massimo
50	8885 - 32	Portagetto massimo (per mont. lappo 10236-34)
51	6109 - 29	Filtro benzina
52	9258 - 38	Pipetta racc. tubo benzina
53	4568 - 36	Vite fiss. pipetta
54	8557 - 33	Valvola aspirazione
55	*	Guarnizione valvola a spillo
	*	Guarnizione vaschetta

Fig.	Numero	Denominazione
56	7881 - 96	Vaschetta
57	7346 - 22	Perno galleggiante
58	4057 - 30	Guarnizione tappo fiss. vaschetta
59	8551 - 34	Tappo fiss. vaschetta
60	10922 - 53	Coperchio cam. miscela (floatarm)
61	10924 - 22	Perno leva com. pompa (per coperchio 10922-53)
62	10557 - 96	Vaschetta
63	.	Guarnizione tappo fiss. vaschetta
64	10238 - 34	Tappo fiss. vaschetta
65	8525 - 21	Fermaglio spilo conico (per valvola 11462)
66	11240 - 82	Raccordo presa aria
1	8553 x 64	Valvola gas
3	10999 x 64	Valvola gas (smusso mm 2,5 x 8°)
67	7449 - 37	Polverizzatore AB1
68	8222 - 06	Vite reg. miscela minimo
69	1481 - 37	Capuccio cavo gas
70	1692 - 27	Dado blocc. vite lenzillo
71	3698 - 35	Tubetto deviatore
72	52547 - 77	Busta guarnizioni
1	11570 x 64	Valvola gas
	12206 x 64	Valvola gas
	12209 x 64	Valvola gas



• Compresa nella busta guarnizioni

CATALOGO RICAMBI CARBURATORI
DELORIO
 MOTOVEICOLI

Sp II

Tipo carburatore
PHF ...BD - PHF ...DS

Diámetro diffusori
36

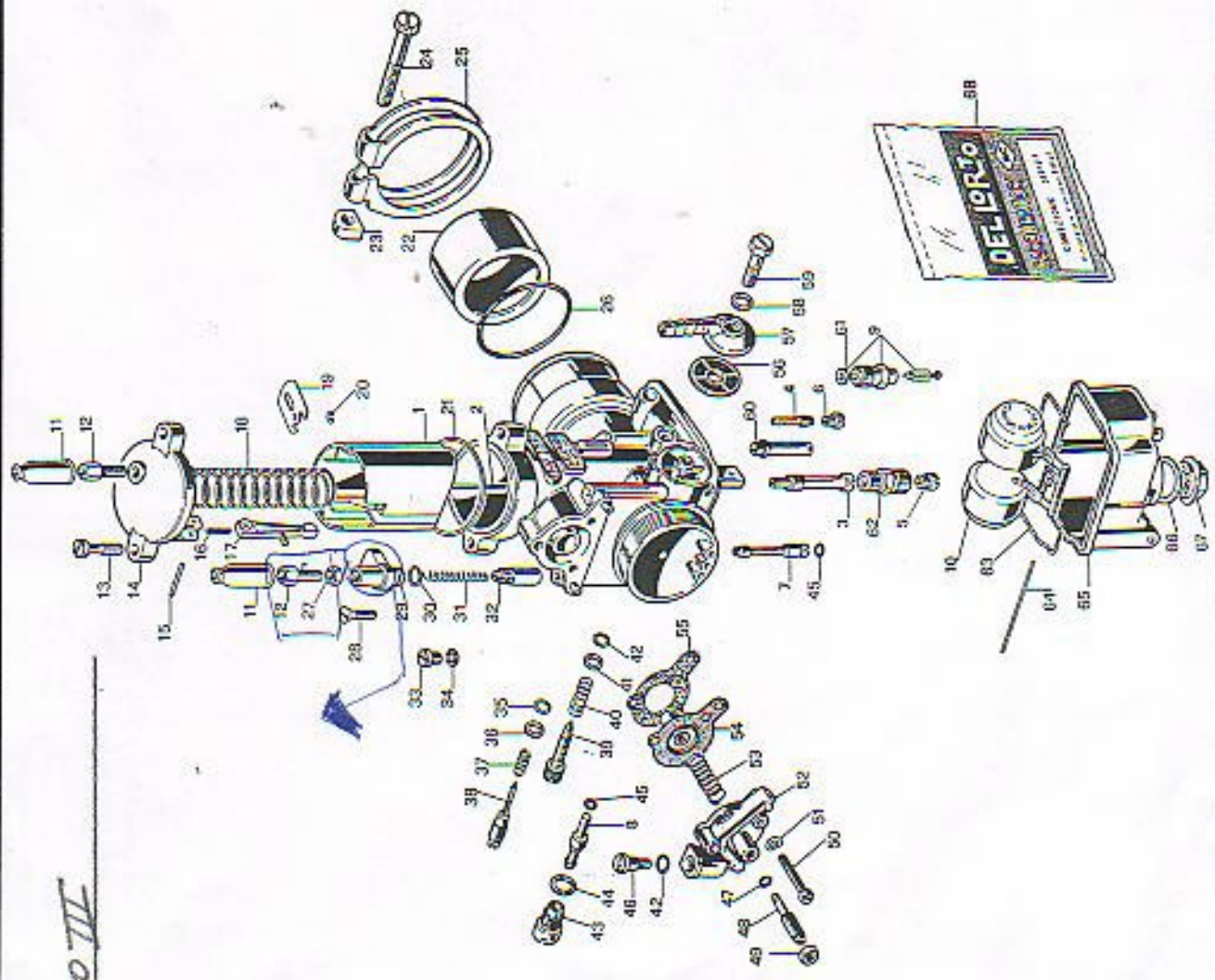
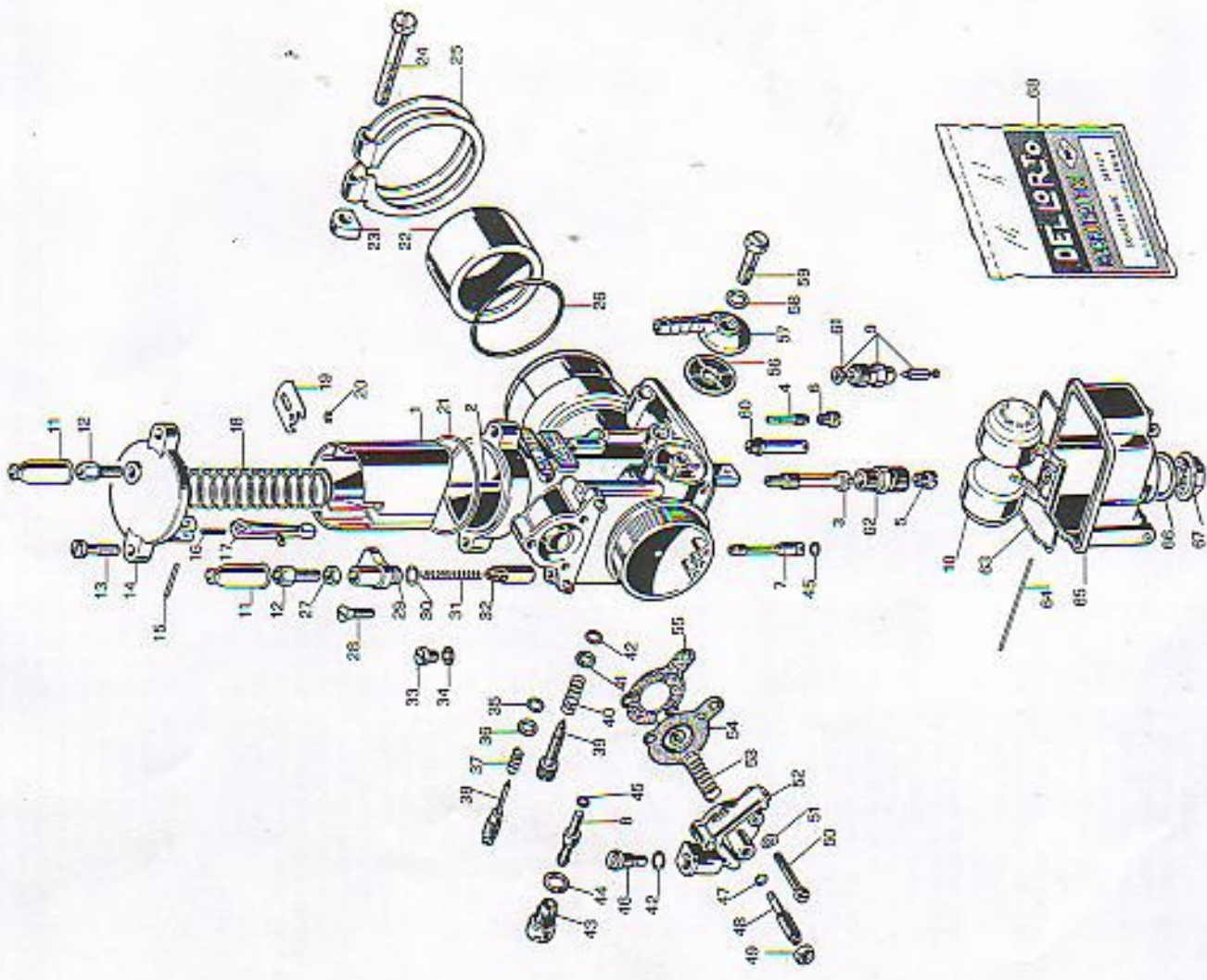


Fig.	Numero	Descrizione
PARTICOLARI DI TARATURA		
1	10352 x 64	Valvola gas
2	0530 x 08	Spillo conico K
3	8540 x 28	Polverizzatore AB 1
4	9980 x 28	Emulsionatore minimo
5	6413 x 02	Getto massimo
6	1486 x 02	Getto minimo
7	7746 x 02	Getto avviamento
8	7951 x 02	Getto pompa
9	0649 x 33	Valvola a spillo
10	7450 x 60	Galleggiante
PARTICOLARI SENZA TARATURA		
11	1476 - 06	Cappuccio
12	1104 - 37	Vite tendifllo
13	8542 - 36	Vite fiss. coperechio cam. miscela
14	10922 - 53	Coperechio cam. miscela
15	10924 - 22	Perno leva cam. pompa
16	7415 - 61	Molla rich. lava pompa
17	0426 - 26	Leva cam. pompa
18	8550 - 61	Molla rich. valvola gas
19	10340 - 21	Piastrina rit. fermaglio spillo conico
20	9596 - 21	Fermaglio spillo conico
21	*	Guarnizione coperechio cam. miscela
22	9985 - 62	Riduzione isolante
23	8128 - 27	Piastrina vite serr. anello
24	8127 - 36	Vite serr. anello
25	8527 - 50	Anello serr. manico
26	*	Guarnizione riduzione isolante
27	1691 - 27	Dado blocc. vite tendifllo
28	7745 - 36	Vite fiss. disp. avviamento
29	8295 - 06	Coperechio disp. avviamento
30	*	Guarnizione coperechio disp. avviamento
31	4043 - 61	Molla rich. valvola avviamento
32	3238 - 64	Valvola avviamento
33	8679 - 36	Tappo presa pressione
34	*	Guarnizione teppo presa pressione
35	*	Guarnizione vite reg. miscela minimo
36	8260 - 23	Rondella piana
37	7446 - 61	Molla vite reg. miscela minimo
38	7449 - 37	Vite reg. miscela minimo
39	7673 - 37	Vite reg. valvola gas
40	4670 - 61	Molla vite reg. valvola gas
41	4650 - 23	Rondella piana
42	*	Guarnizione vite reg. valv. gas e valv. mandata
43	10747 - 34	Portagetto pompa
44	*	Guarnizione portagetto pompa
45	*	Guarnizione getto pompa e getto avviamento
46	10800 - 33	Valvola mandata
47	*	Guarnizione vite reg. membrana pompa
48	8539 - 37	Vite reg. membrana pompa
49	8599 - 27	Dado blocc. vite reg. membrana pompa
50	8428 - 36	Vite fiss. coperechio pompa
51	5011 - 23	Rondella elastica
52	8556 - 67	Coperechio pompa
53	7626 - 61	Molla membrana pompa
54	8555 - 44	Membrana pompa
55	*	Guarnizione membrana pompa
56	8109 - 29	Filtro borzina
57	6273 - 38	Pipetta racc. lubo benzina
58	*	Guarnizione vite fiss. pipetta

Fig.	Numero	Descrizione
59	4568 - 36	Vite fiss. pipetta
60	8557 - 33	Valvola aspirazione
61	*	Guarnizione valvola a spillo
62	8885 - 32	Portagetto massimo
63	*	Guarnizione vaschetta
64	7346 - 22	Perno galleggiante
65	10557 - 96	Vaschetta
66	*	Guarnizione lappo fiss. vaschetta
67	10238 - 34	Tappo fiss. vaschetta
68	52547 - 77	Busta guarnizioni



• Compresa nella busta guarnizioni

CATALOGO RICAMBI CARBURATORI
DEL'ORTO
 MOTOCICCOLI

Tipo carburatore
PHBH ... BS - PHBH ... BD

Diametro diffusori
26 - 27 - 28 - 29 - 30

Denominazione
PARTICOLARI DI TARATURA

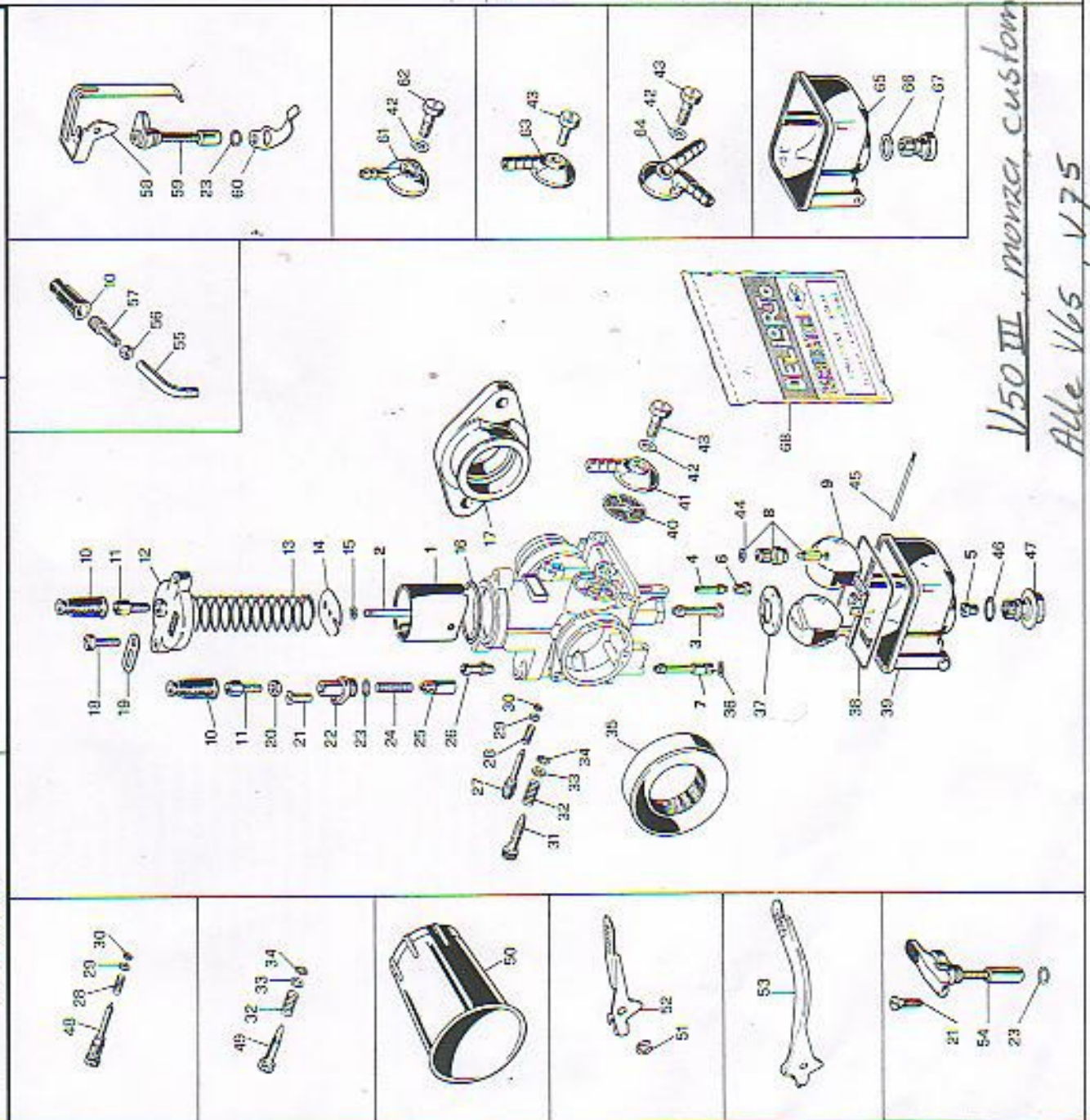


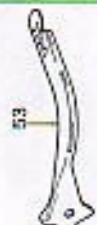
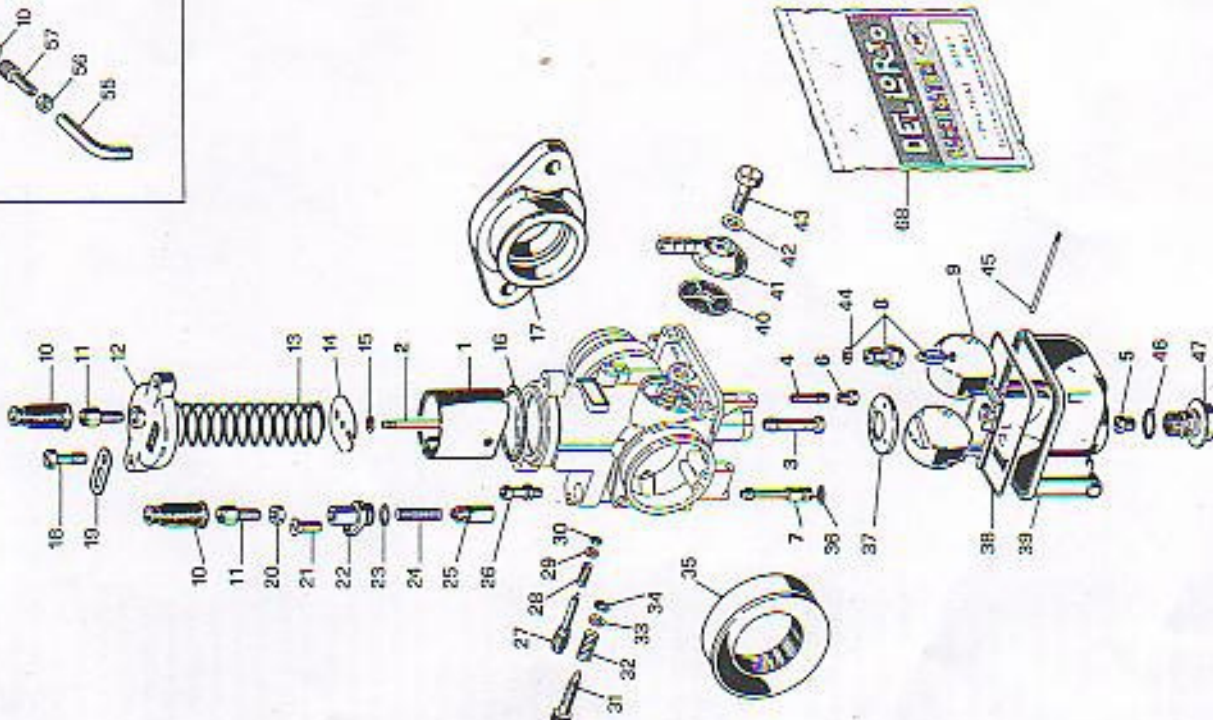
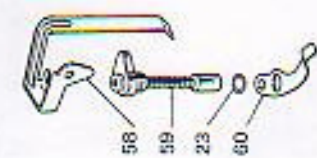
Fig.	Numero	Denominazione
1	9374 x 64 10152 x 04 10680 x 04 11386 x 04 11658 x 04 12224 x 64 9477 x 08 7456 x 28 7790 x 28 7972 x 20 9423 x 28 9695 x 28 9879 x 28 10174 x 28 10575 x 28 10654 x 28 11878 x 28 12182 x 28 9980 x 28 6413 x 02 1486 x 02 7746 x 02 8094 x 02 8649 x 33 9436 x 33 9010 x 80	Valvola gas Valvola gas (con scarico posteriore) Valvola gas (per carb. anti-inquinamento) Valvola gas Valvola gas Valvola gas Spillo conico X Polverizzatore M (per motori 2 L) Polverizzatore P Polverizzatore T Polverizzatore AS (per motori 2 L) Polverizzatore AV (per motori 2 L) Polverizzatore BC (per motori 2 L) Polverizzatore BN (per motori 2 L) Polverizzatore CE (per motori 2 L) Polverizzatore CF (per motori 2 L) Polverizzatore CV (per motori 2 L) Polverizzatore DF (per motori 2 L) Emulsionatore minimo Getto massimo Getto minimo Getto avviamento Getto avviamento Valvola a spillo Valvola a spillo (molleggiato) Galleggiante
2		
3		
4		
5		
6		
7		
8		
9		

PARTICOLARI SENZA TARATURA

10	1476 - 06	Cappuccio cavo gas e avviamento
11	1104 - 37	Vite tendifilto
12	9372 - 53	Coperchio camera miscela
13	8532 - 61	Molla richiamo valvola gas (Kg. 1,7 a mm. 35)
	8550 - 61	Molla richiamo valvola gas (Kg. 1,15 a mm. 36)
	9425 - 61	Molla richiamo valvola gas (Kg. 1,2 a mm. 25)
	9806 - 61	Molla richiamo valvola gas (Kg. 0,7 a mm. 35)
14	9375 - 21	Piastrina di ferraggio spillo conico
15	9596 - 21	Ferraggio spillo conico
16		Guarnizione coperchio cam. miscela
17	10577 - 82	Raccordo a flangia in gomma (inter. mm. 60)
18	8542 - 36	Vite fissaggio coperchio camera miscela
19	9829 - 21	Piastrina di ferraggio aria vaschetta
20	1691 - 27	Dado bloccaggio vite tendifilto
21	7745 - 36	Vite fissaggio dispositivo avviamento
22	8295 - 06	Coperchio dispositivo avviamento
23		Guarnizione dispositivo avviamento
24	3133 - 61	Molla valvola avviamento (Kg. 1,8 a mm. 10)
25	12387 - 61	Molla valvola avviamento (Kg. 0,600 a mm. 14)
26	3238 - 64	Valvola avviamento
27	9679 - 38	Raccordo presa pressione
28	7449 - 37	Vite regolazione miscela minimo
29	7446 - 61	Molla vite regolazione miscela minimo
30	8260 - 23	Rondella piana
31		Guarnizione vite reg. miscela minimo
32	7673 - 37	Vite reg. valvola gas
33	4670 - 61	Molla vite reg. valvola gas
34	4650 - 23	Rondella piana
35		Guarnizione vite reg. valvola gas
36	10001 - 82	Raccordo presa aria
37	9996 - 52	Guarnizione getto avviamento Fondello

V50 III, monza custom
Alle V65, V75

Fig.	Numero	Denominazione
		Guarnizione vaschetta
	11770 - 06	Vaschetta
	6109 - 29	Filtro benzina
	6273 - 38	Pipetta racc. tubo benzina ø 8,5 (zama)
	•	Guarnizione vite fiss. pipetta
	4568 - 36	Vite fiss. pipetta (mm. 21)
	•	Guarnizione valvola a spillo
	7346 - 22	Perno galleggiante
	•	Guarnizione tappo fiss. vaschetta
	11771 - 34	Tappo fiss. vaschetta
	9844 - 37	Vite regolazione miscela minimo
	9122 - 37	Vite regolazione valvola gas
	9543 - 55	Cornetto presa aria
	5495 - 21	Fermaglio leva com. dispositivo avviamento
	9327 - 26	Leva comando dispositivo avviamento
	11885 - 26	Leva comando dispositivo avviamento
	8294 - 64	Dispositivo avviamento
	3600 - 35	Tubetto deviatore (70°)
	3698 - 35	Tubetto deviatore (30°)
	9330 - 35	Tubetto deviatore (40°)
	1682 - 27	Dado bloccaggio vite tendilfillo
	1481 - 37	Vite tendilfillo
	9896 - 26	Leva comando dispositivo avviamento
	8730 - 64	Dispositivo avviamento
	9704 - 61	Molla leva comando dispositivo avviamento
	8752 - 38	Pipetta racc. tubo benzina ø 6 (zama)
	4053 - 36	Vite fiss. pipetta (mm. 18)
	9250 - 38	Pipetta racc. tubo benzina ø 8,5 (fosforati)
	7890 - 38	Pipetta racc. tubo benzina ø 8,5
	9426 - 06	Vaschetta
	•	Guarnizione tappo fiss. vaschetta
	6267 - 34	Tappo fiss. vaschetta
	52523 - 77	Busta guarnizioni



• Compresa nella busta guarnizione

CATALOGO RICAMBI CARBURATORI
DELORTO
 MOTOVEICOLI

 Tipo carburatore
VHBZ ... FD - VHBZ ... FS

 Diametro diffusori
20 - 22 - 24 - 26


○ Sostituire la precedente serie VHB ... FS/FD che prevedeva il montaggio dello spillo chiusura benzina 4559 - 05 anziché l'attuale valvola a spillo 9436 - 33.

150 ml



Fig.	Numero	Descrizione
PARTICOLARI DI TARATURA		
1	7447 x 64	Valvola gas
2	2343 x 08	Spillo conico E
3	7444 x 28	Polverizzatore R
	7884 x 28	Polverizzatore S
	8203 x 28	Polverizzatore U
	8448 x 28	Polverizzatore Q
	8566 x 20	Polverizzatore D
	9143 x 20	Polverizzatore AG
	9149 x 20	Polverizzatore AH
4	6413 x 02	Getto massimo
5	1486 x 02	Getto minimo
6	7746 x 02	Getto avviamento
7	9436 x 33	Valvola a spillo
8	7450 x 80	Galligliante

PARTICOLARI SENZA TARATURA		
9	1476 - 06	Cappuccio cavo gas
10	1104 - 37	Vite tendifilo
11	1691 - 27	Dado bloccaggio vite tendifilo
12	3978 - 36	Vite fissaggio coperchio camera miscela
13	5011 - 23	Rondella elastica
14	7336 - 53	Coperchio camera miscela (zama)
15		Guarnizione coperchio camera miscela
16	7448 - 61	Molla rich. valv. gas (Kg. 2 a 35 mm.)
	7941 - 61	Molla rich. valv. gas (Kg. 1,1 a 35 mm.)
	8750 - 61	Molla rich. valv. gas (Kg. 0,8 a 35 mm.)
	1407 - 21	Fermaglio spillo conico
17	7745 - 36	Vite fissaggio dispositivo avviamento
18	8294 - 64	Dispositivo avviamento
19		Guarnizione dispositivo avviamento
20		Vite regolazione miscela minimo
21	7449 - 37	Molla vite regolazione miscela minimo
22	7446 - 61	Vite regolazione valvola gas
23	7673 - 37	Molla vite regolazione valvola gas
24	4670 - 61	Guarnizione gatto avviamento
25		Filtro benzina
26	6109 - 29	Pipetta raccordo tubo benzina
27	9250 - 38	Vite fissaggio pipetta
28	4568 - 36	Guarnizione valvola a spillo
29		Perno galleggiante
30	7346 - 22	Vaschetta
31		Guarnizione lappo fissaggio vaschetta
32	7335 - 96	Tappo fissaggio vaschetta
33		Vite tendifilo
34	6267 - 34	Dado bloccaggio vite tendifilo
35	1481 - 37	Tubetto divalvatore
36	1692 - 27	Coperchio valvola avviamento
37	3698 - 35	Valvola avviamento
38	8295 - 06	Pipetta raccordo tubo benzina
39	3133 - 61	Pipetta raccordo tubo benzina
40	3238 - 64	Guarnizione vite fissaggio pipetta
41	7880 - 38	Raccordo presa aria
42	8752 - 30	Cornetto presa aria
43		Pipetta raccordo tubo benzina
44	4224 - 82	Vite fissaggio pipetta
45	1439 - 55	Guarnizione coperchio camera miscela
46	8796 - 38	Coperchio camera miscela (hostalorm)
47	8797 - 36	Busta guarnizioni
48		
49	10920 - 53	
50	52512 - 77	



Atene della DelOrto S.p.A. • Via S. Rocco N. 5 • 20039 Seregno (Milano) • Telefono (0362) 224001
 Filiale e Stazione di Servizio: Via Melchiorre Gioia N. 61 • 20124 Milano • Telefono (02) 683103

DELORTO CARBURATORI

CATALOGO RICAMBI CARBURATORI
DELORTO
 MOTOVEICOLI

Tipo carburatore
PHM ... NS - PHM ... ND

Diametro diffusori
40

LM45 1000S

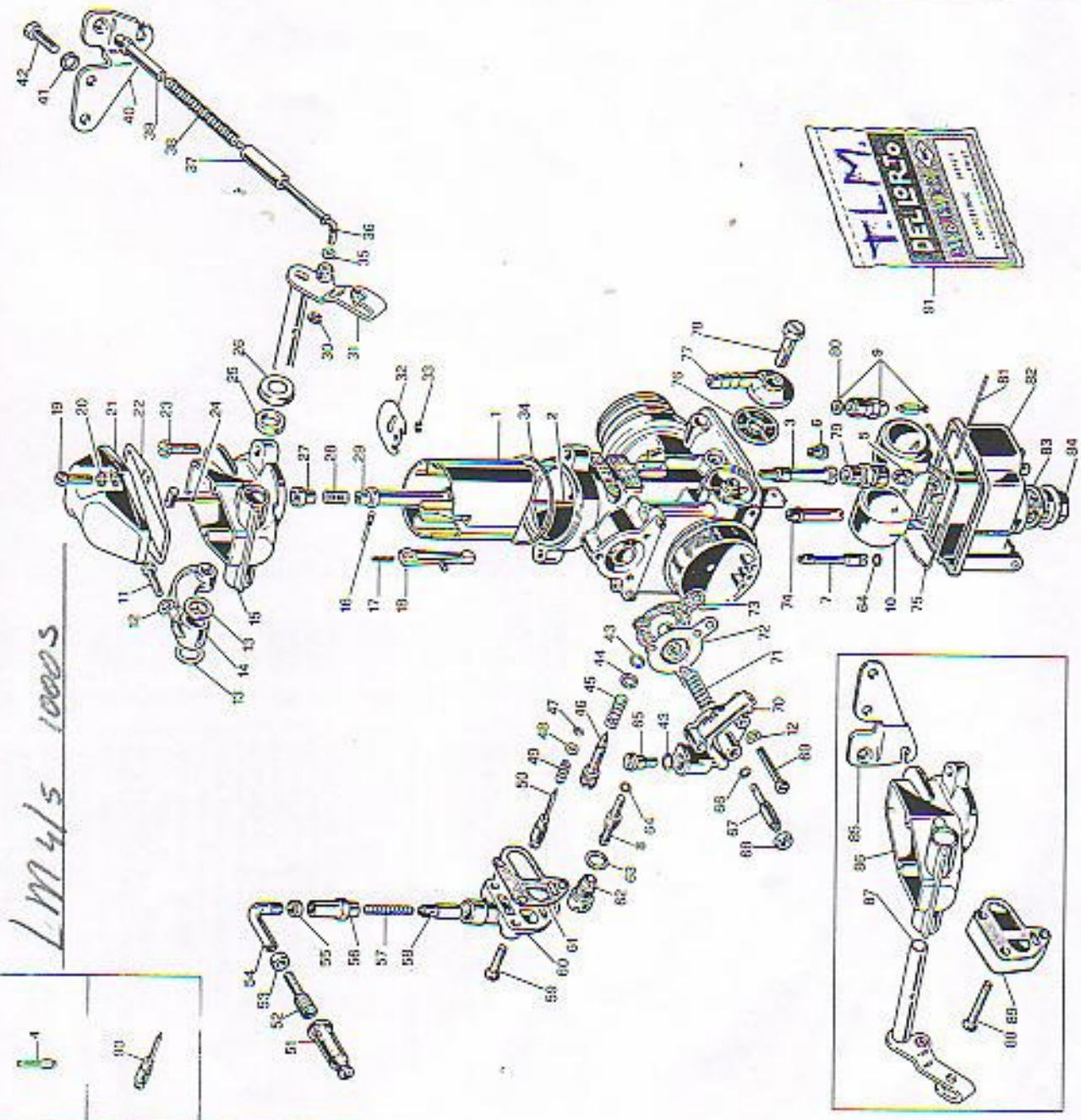
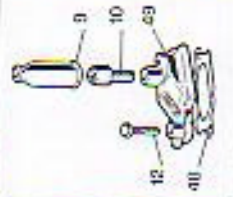


Fig.	Numero	Denominazione
PARTICOLARI DI TARATURA		
1	11790 x 64	Valvola gas
2	11804 x 64	Valvola gas
3	8530 x 08	Spillo conico K
4	8540 x 28	Polverizzatore AB 1
5	9980 x 28	Polverizzatore AB 1
6	6413 x 02	Emulsionatore minimo
7	1486 x 02	Getto massimo
8	7746 x 02	Getto minimo
9	7851 x 02	Getto avviamento
10	8049 x 33	Valvole a spillo 300
	7450 x 00	Galleggiante
PARTICOLARI SENZA TARATURA		
11	9042 - 36	Vite fissaggio leva comando gas
12	5011 - 23	Rondella
13		Guarnizione leva comando gas
14	8830 - 26	Leva comando gas
15	11798 - 53	Coperchio cam. miscela (per carb. sinistro)
16	8535 - 22	Perno leva comando pompa
17	7415 - 61	Molla richiamo leva pompa
18	0426 - 26	Leva comando pompa
19	6429 - 36	Vite fissaggio coperchietto
20	1581 - 23	Rondella elastica
21	8825 - 06	Coperchietto leva comando gas
22		Guarnizione coperchietto
23	8542 - 36	Vite fissaggio coperchio camera miscela
24	11779 - 24	Tirante valvola gas
25		Guarnizione alberino comando gas
26	8727 - 06	Coperchietto guarnizione alberino
27	10069 - 20	Bussola leva gas
28	9383 - 61	Molla bussola leva gas
29	11777 - 20	Bussola guida molla tirante valvola gas
30	10451 - 21	Anello dentato asta leva comando gas
31	11782 - 30	Alberino comando gas (per carb. sinistro)
32	11773 - 21	Piastrina ril. fermaglio spillo conico
33	9596 - 21	Fermaglio spillo conico
34		Guarnizione coperchio camera miscela
35	3718 - 23	Rondella piana
36	11776 - 51	Asta leva comando gas
37	11774 - 20	Bussola guida molla
38	11786 - 61	Molla richiamo leva comando gas
39	11775 - 20	Bussola guida molla
40	11787 - 63	Supporto cavo gas (per carb. sinistro)
41	4957 - 23	Rondella elastica
42	8435 - 36	Vite fissaggio supporto
43		Guarnizione vite reg. valv. gas e valv. mandata
44	4650 - 23	Rondella piana
45	4670 - 61	Molla vite regolazione valvola gas
46	7673 - 37	Vite regolazione valvola gas
47		Guarnizione vite regolazione miscela minimo
48	8260 - 23	Rondella piana
49	7446 - 61	Molla vite regolazione miscela minimo
50	7449 - 37	Vite regolazione miscela minimo
51	11377 - 06	Cappuccio cavo avviamento
52	1481 - 37	Vite tendifilo
53	1682 - 27	Dado bloccaggio vite tendifilo
54	3098 - 35	Tubetto deviatore
55	1691 - 27	Dado bloccaggio tubetto deviatore
56	3128 - 34	Coperchio dispositivo avviamento



Sostituire la precedente serie VHB ... FS/FD
 che prevedeva il montaggio dello spillo chiusu-
 ra benzina 4559 - 05 anziché l'attuale valvola
 a spillo 9436 - 33.

150 ml

Tipo carburatore

VHBZ ... FD - VHBZ ... FS

Diametro diffusori

20 - 22 - 24 - 26

Fig. Numero

PARTICOLARI DI TARATURA

1	7447 x 64	Valvola gas
2	2343 x 08	Spillo conico E
3	7444 x 28	Polverizzatore R
	7884 x 28	Polverizzatore S
	8203 x 28	Polverizzatore U
	8448 x 28	Polverizzatore Q
	8566 x 20	Polverizzatore D
	9143 x 20	Polverizzatore AG
	9149 x 20	Polverizzatore AH
4	6413 x 02	Getto massimo
5	1486 x 02	Getto minimo
6	7746 x 02	Getto avviamento
7	9436 x 33	Valvola a spillo
8	7450 x 80	Galliggiante

PARTICOLARI SENZA TARATURA

9	1476 - 06	Cappuccio cavo gas
10	1104 - 37	Vite tendifilo
11	1691 - 27	Dado bloccaggio vite tendifilo
12	3978 - 36	Vite fissaggio coperchio camera miscela
13	5011 - 23	Rondella elastica
14	7336 - 53	Coperchio camera miscela (zama)
15		Guarnizione coperchio camera miscela
16	7448 - 61	Molla rich. valv. gas (Kg. 2 a 35 mm.)
	7941 - 61	Molla rich. valv. gas (Kg. 1,1 a 35 mm.)
	8750 - 61	Molla rich. valv. gas (Kg. 0,8 a 35 mm.)
	1407 - 21	Fermaglio spillo conico
17	7745 - 36	Vite fissaggio dispositivo avviamento
18	8294 - 64	Dispositivo avviamento
19		Guarnizione dispositivo avviamento
20		Vite regolazione miscela minimo
21	7449 - 37	Molla vite regolazione miscela minimo
22	7446 - 61	Vite regolazione miscela minimo
23	7673 - 37	Vite regolazione valvola gas
24	4670 - 61	Molla vite regolazione valvola gas
25		Guarnizione gatto avviamento
26	6109 - 29	Filtro benzina
27	9250 - 38	Pipetta raccordo tubo benzina
28	4568 - 36	Vite fissaggio pipetta
29		Guarnizione valvola a spillo
30	7346 - 22	Perno galleggiante
31		Guarnizione vaschetta
32	7335 - 96	Vaschetta
33		Guarnizione lappo fissaggio vaschetta
34	6267 - 34	Tappo fissaggio vaschetta
35	1481 - 37	Vite tendifilo
36	1692 - 27	Dado bloccaggio vite tendifilo
37	3698 - 35	Tubetto divisorio
38	8295 - 06	Coperchio valvola avviamento
39	3133 - 61	Molla valvola avviamento
40	3238 - 64	Valvola avviamento
41	7880 - 38	Pipetta raccordo tubo benzina
42	8752 - 30	Vite fissaggio pipetta
43		Guarnizione vite fissaggio pipetta
44	4224 - 82	Raccordo presa aria
45	1439 - 55	Cornetto presa aria
46	8796 - 38	Pipetta raccordo tubo benzina
47	8797 - 36	Vite fissaggio pipetta
48		Guarnizione coperchio camera miscela
49	10920 - 53	Coperchio camera miscela (nostalform)
50	52512 - 77	Busta guarnizioni



MOTOVEICOLO				CARBURATORE				PRESA ARIA			TARATURE																
TIPO	CILINDRATA	TEMPI	N° CILINDRI	TIPO	N° REGOLAZIONE	N° TAVOLA CATALOGICO	TIPO	INFER.	TUBETTI	DIFFUSORE	VALVOLA ARIA	VALVOLA GAS	SPILLO CONDO	TACCA	POLVERIZZATORE	EMULS. POTENZA	PAUS. MANTO	GETTO MASSIMO	GETTO POTENZA	GETTO MINIMO	GETTO KM/H	GETTO POUKA	CALIBRATORE	ASTINA A CONO	VALV. A SPILLO	CAUSIGIANTE	PORTATA POTENZA
Motociclo 650 LM III - USA 1991	650	4	2	PHF 30 OSDD	4000/1	1.33. 4.623	-	-	-	262 AB1	500	K 27	2	2	262 AB1	-	2	120	-	55	75	33	-	330	1-g. 10	8	
Motociclo V65 1902	650	4	2	PHBH 30 BSDD	3320/10	1.30. 2.464	-	-	-	248 T	40	X 6	2	2	248 T	-	-	105	-	40	60	-	-	200	1-g. 11	-	
Motociclo 650 LM III 1992	650	4	2	PHM 40 OSDD	4460/10	1.34. 4.458	3573/55	-	-	-	40	K 4	2	2	265 AB	-	-	170	-	60	-	-	300	1-g. 10	-		
Motociclo V65 1960	650	4	2	PHBT 30 CSDD	3742/43	1.30.22.540	-	-	-	265	30	V 9	2	2	265	-	-	130	-	50	60	-	-	200	1-g. 10	-	
Motociclo Guzzi V65 USA 1963	643	4	2	PHBH 30 ES	3042	1.39. 7.738	-	-	-	264	50	X 22	2	2	264	-	DF2	105	-	45	60	-	-	250	1-g. 11	-	
Motociclo Guzzi V65 USA 1960	643	4	2	PHBH 30 ED	3300	1.39. 7.738	-	-	-	263	50	X 22	2	2	263	-	DF2	105	-	45	60	-	-	200	1-g. 11	-	
Motociclo 1000 California II USA 1963	949	4	2	PHF 30 OS	4814	1.33. 4.547	-	-	-	261 AB1	500	K 27	2	2	261 AB1	-	DF2	135	-	40	75	30	-	250	1-g. 10	8	
Motociclo 1000 California I USA 1963	949	4	2	PHF 30 OD	4815	1.33. 4.547	-	-	-	261 AB1	500	K 27	2	2	261 AB1	-	DF2	135	-	40	75	30	-	250	1-g. 10	8	
Motociclo 1000 SP II 1964	949	4	2	PHBT 30 OS	3747	1.30.22.540	-	-	-	265	30	V 9	2	2	265	-	-	125	-	50	60	-	-	250	1-g. 10	-	
Motociclo 1000 SP II 1964	940	4	2	PHBT 30 OD	3746	1.30.22.540	-	-	-	265	30	V 9	2	2	265	-	-	125	-	50	60	-	-	250	1-g. 10	-	
Motociclo 15 1994	850	4	2	PHF 30 OS	4821	1.33. 4.547	-	-	-	264 AB	500	K 23	3	3	264 AB	-	-	130	-	50	75	30	-	250	1-g. 10	2	
Motociclo 15 1994	850	4	2	PHF 30 OD	4822	1.33. 4.547	-	-	-	264 AB	500	K 23	3	3	264 AB	-	-	130	-	50	75	30	-	250	1-g. 10	2	
Motociclo 1000 LM IV 1964	950	4	2	PHM 40 NS	4879	1.34.10.734	-	-	-	303 AB	40	K 19	3	3	303 AB	-	-	145	-	57	60	35	-	300	1-g. 10	5	
Motociclo 1000 LM IV 1964	950	4	2	PHM 40 ND	4880	1.34.10.734	-	-	-	303 AB	40	K 19	3	3	303 AB	-	-	145	-	57	60	35	-	300	1-g. 10	5	
Guzzi V65 Loro USA (H velocità) 1965	643	4	2	PHBH 30 ES	3422	1.39. 7.738	-	-	-	265	50	X 22	1	1	265	-	DF2	115	-	40	60	-	-	200	1-g. 11	-	
Guzzi V65 Loro USA (H velocità) 1965	643	4	2	PHBH 30 ED	3423	1.39. 7.738	-	-	-	265	50	X 22	1	1	265	-	DF2	115	-	40	60	-	-	200	1-g. 11	-	
Motociclo Guzzi V75 1965	750	4	2	PHBH 30 OS	3404	1.31. 2.464	-	-	-	265 T	30	X 6	2	2	265 T	-	-	105	-	30	50	-	-	200	1-g. 11	-	
Motociclo Guzzi V75 1965	750	4	2	PHBH 30 ED	3425	1.31. 2.464	-	-	-	265 T	30	X 6	2	2	265 T	-	-	105	-	30	60	-	-	200	1-g. 11	-	
Guzzi V65 TT (Suzuki) 1965	650	4	2	PHBH 30 ES	3420	1.30. 7.738	-	-	-	264	50	X 22	2	2	264	-	DF2	85	-	45	60	-	-	200	1-g. 11	-	
Guzzi V65 TT (Suzuki) 1965	650	4	2	PHBH 30 ED	3429	1.39. 7.738	-	-	-	264	50	X 22	2	2	264	-	DF2	85	-	45	60	-	-	200	1-g. 11	-	
Motociclo Guzzi V65 III 1965	650	4	2	VHBE 25 FS	3751	1.30.13.466	-	-	-	260 AH	40	E 27	2	2	260 AH	-	-	100	-	40	60	-	-	200	2-g. 14	-	
Motociclo Guzzi V65 III 1965	650	4	2	VHBE 26 FD	3752	1.30.13.466	-	-	-	260 AH	40	E 27	2	2	260 AH	-	-	108	-	40	50	-	-	200	2-g. 14	-	
Motociclo 1000 LM IV USA 1965	950	4	2	PHM 40 NS	4886	1.34.10.734	-	-	-	260 AB1	500	K 33	3	3	260 AB1	-	DF2	150	-	62	60	38	-	300	1-g. 10	12	
Motociclo 1000 LM IV USA 1965	950	4	2	PHM 40 ND	4887	1.34.10.734	-	-	-	260 AB1	500	K 33	3	3	260 AB1	-	DF2	150	-	62	60	38	-	300	1-g. 10	12	

MOTO GUZZI

TIPO	CILINDRATA		TIPO	N° REGOLAZIONE		N° TAVOLA CATALOGO	TIPO	NUMERO	N° TAVOLA CATALOGO	TARATURE													
	TSR	N° CILINDRI		N° INFIANTO	N° INFIANTO					DIFFUSORE	VALVOLA ARIA	VALVOLA GAS	SPILLO CONICO	TACCA	POLVERIZZATORE	VALV. POTENZA	FRUI. INFIANTO	GETTO POTENZA	GETTO MARIANO	GETTO ARIA	GETTO ARIA	GETTO POMPA	CALEFATTORE
Motociclo Nuovo Stornello SM - Scambler 1970	120	4	1	VHB 22 BS *	3531	1.30.11.470	-	-	-	265 O	-	92	55	70	-	-	-	-	-	-	-	-	2 - gr. 14
				VHB 22 BS	3531	1.30.11.470	-	-	-	265 O	-	92	55	70	-	-	-	-	-	-	-	-	2 - gr. 14
Motociclo Stornello 10A/72 1970	160	4	1	VHB 22 BS *	3531	1.30.11.470	-	-	-	265 O	-	92	55	70	-	-	-	-	-	-	-	-	2 - gr. 14
				VHB 22 BS	3531	1.30.11.470	-	-	-	265 O	-	92	55	70	-	-	-	-	-	-	-	-	2 - gr. 14
Motociclo Ercole 1970	500	4	1	VHB 26 BS *	3537	1.30.11.470	F 2008	10.129	2. 1. 5.151	260 K	-	125	50	70	-	-	-	-	-	-	-	-	1 - gr. 10
				VHB 26 BS	3537	1.30.11.470	F 2008	10.129	2. 1. 5.151	260 K	-	125	50	70	-	-	-	-	-	-	-	-	1 - gr. 10
Motociclo Stornello 1970	160	4	1	VHB 22 BS *	3538	1.30.11.470	-	-	-	265 O	-	96	55	70	-	-	-	-	-	-	-	-	2 - gr. 14
				VHB 22 BS	3538	1.30.11.470	-	-	-	265 O	-	96	55	70	-	-	-	-	-	-	-	-	2 - gr. 14
Motociclo V7 Sport - V750 Sport S - V750 S3 1970	743	4	2	VHB 30 CS/CSD *	3520/51	1.30.22.540	-	-	-	265	-	142	50	80	-	-	-	-	-	-	-	-	1 - gr. 10
				VHB 30 CS/CSD	3520/51	1.30.22.540	-	-	-	265	-	142	50	80	-	-	-	-	-	-	-	-	1 - gr. 10
Motociclo V850 X "I" - V850 T 1970	850	4	2	VHB 30 CS/CSD *	3520/51	1.30.22.540	-	-	-	265	-	142	50	80	-	-	-	-	-	-	-	-	1 - gr. 10
				VHB 30 CS/CSD	3520/51	1.30.22.540	-	-	-	265	-	142	50	80	-	-	-	-	-	-	-	-	1 - gr. 10
Motociclo Alcega N. 1970	250	4	1	URF 22 BS	4410	1.11. 7.504	cometto	1439.00.55	1.11. 7.504	280 B	-	105	40	-	-	-	-	-	-	-	-	0	2 - gr. 7,5
				VHB 29 CD *	3544	1.30.22.540	F 2017	10.130	2. 1. 5.151	265	-	122	55	80	-	-	-	-	-	-	-	-	2 - gr. 14
Motociclo Nuovo Falcone 1971	500	4	1	VHB 29 CD	3544	1.30.22.540	F 2017	10.130	2. 1. 5.151	265	-	122	55	80	-	-	-	-	-	-	-	-	2 - gr. 14
				VHB 26 BS *	3552	1.30.11.470	cometto	1439.00.55	1.30.11.470	260 R	-	125	55	70	-	-	-	-	-	-	-	-	1 - gr. 10
Motociclo Falcone Pavia 1971	500	4	1	VHB 26 BS	3552	1.30.11.470	cometto	1439.00.55	1.30.11.470	260 R	-	125	55	70	-	-	-	-	-	-	-	-	1 - gr. 10
Motociclo 350 G.T.S. 1972	350	4	4	VHB 20 D *	19.402	1.30. 4.416	-	-	-	262 AE	-	80	45	50	-	-	-	-	-	-	-	-	2 - gr. 14
				SMB 14.9	1723	1.24. 1.501	94HEZ	10.274	1.24. 1.501	-	-	45	-	-	-	-	-	-	-	-	-	-	1 - gr. 3,5
Calendario Dirigo MM - 3V 1973	40	2	1	VHB 25 ES/SD *	3002A/9	1.30.11.470	raccomando	4221.00.82	1.30.11.470	260 S	-	98	45	70	-	-	-	-	-	-	-	-	1 - gr. 10
				VHB 25 ES/SD	3002A/9	1.30.11.470	raccomando	4221.00.82	1.30.11.470	260 S	-	98	45	70	-	-	-	-	-	-	-	-	1 - gr. 10
Motociclo TS 1ª serie 1973	250	2	2	VHB 25 BS/BD	3002A/9	1.30.11.470	-	-	-	262 AE	-	80	45	50	-	-	-	-	-	-	-	-	2 - gr. 14
				VHB 20 D *	19.405	1.30. 4.416	-	-	-	262 AE	-	80	45	50	-	-	-	-	-	-	-	-	2 - gr. 14
Motociclo 400 G.T.S. 400 1974	400	4	4	VHB 30 CS/CSD *	3516/47	1.30.22.540	-	-	-	265	-	120	50	80	-	-	-	-	-	-	-	-	1 - gr. 10
				VHB 30 CS/CSD	3516/47	1.30.22.540	-	-	-	265	-	120	50	80	-	-	-	-	-	-	-	-	1 - gr. 10
Motociclo 800 T3 1974	850	4	2	VHB 30 CS/CSD	3516/47	1.30.22.540	-	-	-	265	-	120	50	80	-	-	-	-	-	-	-	-	1 - gr. 10

MOTOVEICULO			CARBURATORE				PRESA ARIA			TARATURE																		
TIPO	CILINDRATA	TERMI	TIPO	N. REGOLAZIONE	N. TAVOLA CATALOGO	TIPO	NUMERO	N. TAVOLA CATALOGO	VALVOLA GAS	VALVOLA ARIA	DIFFUSORE	VALVOLA ARIA	VALVOLA GAS	SPILLO DOMICO	TACCA	EMULSIONATORE	EMULS. POTENZA	EMULS. MARZO	GETTO POTENZA	GETTO MARZO	GETTO ARIA	GETTO ARIA	GETTO POTENZA	ASTRA A CONO	VALV. A SPILLO	GALLONANTE	PORTATA POTENZA	
Motorciclo TS 2° serie 1974	250	2 2	VHB 25 BS/BD *	364/350	1.30.11.470	racorda	4224.00.82	1.30.11.470	50	E 30	2	260 S	50	E 30	2	260 S	89	70	45	70	70	70	70	70	200	1-gr. 10	1-gr. 10	1-gr. 10
Motorciclo Trial 1974	125	2 1	VHB 25 BS/BD	364/350	1.30.11.470	racorda	4224.00.82	1.30.11.470	50	E 30	2	260 S	50	E 30	2	260 S	89	70	45	70	70	70	70	70	200	1-gr. 10	1-gr. 10	1-gr. 10
Motorciclo 1020 Convent 1975	1000	4 2	VHB 22 BS *	365/352	1.30.12.540	---	---	---	40	V 9	2	265	40	V 9	2	265	125	80	48	70	70	70	70	200	1-gr. 10	1-gr. 10	1-gr. 10	1-gr. 10
Motorciclo 125 Turismo 1975	125	2 1	VHB 22 BS	365/352	1.30.12.540	---	---	---	40	V 9	2	265	40	V 9	2	265	125	80	48	70	70	70	70	200	1-gr. 10	1-gr. 10	1-gr. 10	1-gr. 10
Motorciclo 350 G.T.S. - HS 1975	350	4 4	VHB 20 D *	19.407	1.30.12.475	---	---	---	40	E 34	2	262 AE	40	E 34	2	262 AE	82	50	45	50	50	50	50	200	2-gr. 14	2-gr. 14	2-gr. 14	2-gr. 14
Motorciclo 400 G.T.S. 1975	400	4 4	VHB 20 D	19.406	1.30.12.477	---	---	---	40	E 35	2	262 AE	40	E 35	2	262 AE	88	50	45	50	50	50	50	200	2-gr. 14	2-gr. 14	2-gr. 14	2-gr. 14
Motorciclo Le Mans 1975	850	4 2	PHF 36 BS/BD	402/293	1.33. 2.427	conello	0070.00.55	1.33. 2.427	503	K 5	2	255 AB	503	K 5	2	255 AB	140	70	00	70	38	38	38	300	1-gr. 10	1-gr. 10	1-gr. 10	1-gr. 10
Motorciclo 254 1976	250	4 4	PHBG 16 B	19.409	1.38. 2.437	---	---	---	30	W 1	1	254 BC	30	W 1	1	254 BC	80	50	38	50	50	50	50	200	2-gr. 5	2-gr. 5	2-gr. 5	2-gr. 5
Motorciclo V35 1976	350	4 2	VHB 20 FS/FD *	367/475	1.30.13.466	---	---	---	40	E 35	2	260 AH	40	E 35	2	260 AH	98	60	40	60	60	60	60	200	2-gr. 14	2-gr. 14	2-gr. 14	2-gr. 14
Motorciclo V50 1976	500	4 2	VHB 20 FS/FD	367/475	1.30.13.466	---	---	---	40	E 35	2	260 AH	40	E 35	2	260 AH	98	60	40	60	60	60	60	200	2-gr. 14	2-gr. 14	2-gr. 14	2-gr. 14
Motorciclo 650 LMK 1976	650	4 2	VHB 24 FS/FD	369/277	1.30.13.466	---	---	---	40	E 2	2	260 AH	40	E 2	2	260 AH	105	60	40	60	60	60	60	200	2-gr. 14	2-gr. 14	2-gr. 14	2-gr. 14
Motorciclo V 35 Paliza 1977	350	4 2	VHB 24 FS/FD	371/611	1.30.13.466	---	---	---	40	E 2	2	260 AH	40	E 2	2	260 AH	102	60	40	60	60	60	60	200	2-gr. 14	2-gr. 14	2-gr. 14	2-gr. 14
Motorciclo 1500 Convent GS - USA 1978	1000	4 2	VHB 30 CS/CD *	371/475	1.30.22.540	---	---	---	60	V 9	2	265	60	V 9	2	265	125	80	50	80	80	80	80	200	1-gr. 10	1-gr. 10	1-gr. 10	1-gr. 10
Motorciclo 354 Sport Turismo 1978	350	4 4	VHB 20 D	19.414	1.30.12.525	---	---	---	40	E 35	2	260 AE	40	E 35	2	260 AE	88	50	45	50	50	50	50	200	2-gr. 14	2-gr. 14	2-gr. 14	2-gr. 14
Motorciclo 125 2r. 4T 1979	125	4 2	PHGG 20 B	19.417	1.38. 2.554	---	---	---	30	W 2	2	258 EP	30	W 2	2	258 EP	92	35	35	50	50	50	50	200	2-gr. 5	2-gr. 5	2-gr. 5	2-gr. 5
Motorciclo V35 Sport - Italia - II 1979	350	4 2	VHB 26 FS/FD	372/229	1.30.13.466	---	---	---	40	E 27	2	260 AH	40	E 27	2	260 AH	108	60	40	60	60	60	60	200	2-gr. 14	2-gr. 14	2-gr. 14	2-gr. 14
Motorciclo V50 II - V50 Mecca 1980	500	4 2	PHBH 26 BS/BD	303/490	1.33. 2.464	---	---	---	50	X 6	3	268 T	50	X 6	3	268 T	116	60	50	60	60	60	60	200	1-gr. 11	1-gr. 11	1-gr. 11	1-gr. 11

MOTOVEICOLO			CARBURATORE				PRESA ARIA			TARATURE																
TIPO	CILINDRATA	TEMPI	TIPO	N° REGOLAZIONE	N° TAVOLA CATALOGO	TIPO	NUMERO	N° TAVOLA CATALOGO	TARATURE																	
									VALVOLA ARIA	VALVOLA GAS	SPILLO CONICO	TACCA	POLVERIZZATORE	EMILIA POTENZA	EMILIA MINIO	GETTO MASSIMO	GETTO POTENZA	GETTO MINIO	GETTO AVANZA	GETTO POMA	CAUSATORE ARIA MASSIMO	AERMA A CONO ARIA A SPILLO	VALLEQUANTE	PORTATA POMA CC. 1.05 X 20 PORE		
Motociclo V1000 Carnet - Le Mans 1990	950	4	PHF 30 DS/00	456067	1.33. 4.547	-	-	-	-	30	1	503	K 27	2	252 AB1	-	2	112	-	50	75	30	-	250	1-9° 10	8
Motociclo V50 III - V50 Monza USA 1981	500	4	PHBH 28 BS/00	335/052	1.39. 2.464	-	-	-	-	30	1	50	X 23	3	252 T1	-	2	110	-	45	60	1	-	200	1-9° 11	-
Motociclo 650 LM II 1981	650	4	PHF 36 BS/00	456066	1.33. 2.427	-	-	-	-	36	1	603	K 18	3	268 AB	-	-	115	-	50	70	30	-	300	1-9° 10	8
Motociclo 650 LM II - USA 1981	650	4	PHF 36 DS/00	456061	1.33. 4.620	-	-	-	-	36	1	503	K 27	2	252 AB1	-	2	120	-	50	75	30	-	300	1-9° 10	8
Motociclo V65 1982	650	4	PHBH 30 BS/00	315900	1.39. 2.464	-	-	-	-	30	1	40	X 8	2	268 T	-	-	105	-	40	60	1	-	200	1-9° 11	-
Motociclo 650 LM II 1982	650	4	PHM 40 DS/00	465970	1.34. 4.456	comple	86730555	1.34. 4.453	-	40	-	601	K 4	2	265 AB	-	-	170	-	60	-	-	-	300	1-9° 10	-
Motociclo V650 TS 1983	650	4	VHBT 30 CS/00	374243	1.30.22.540	-	-	-	-	30	1	40	V 9	2	265	-	-	130	-	50	80	1	-	200	1-9° 10	-



CATALOGO RICAMBI CARBURATORI
DELORTO
MOTOVEICOLI

Tipo carburatore
PHF ... BS - PHF ... BD

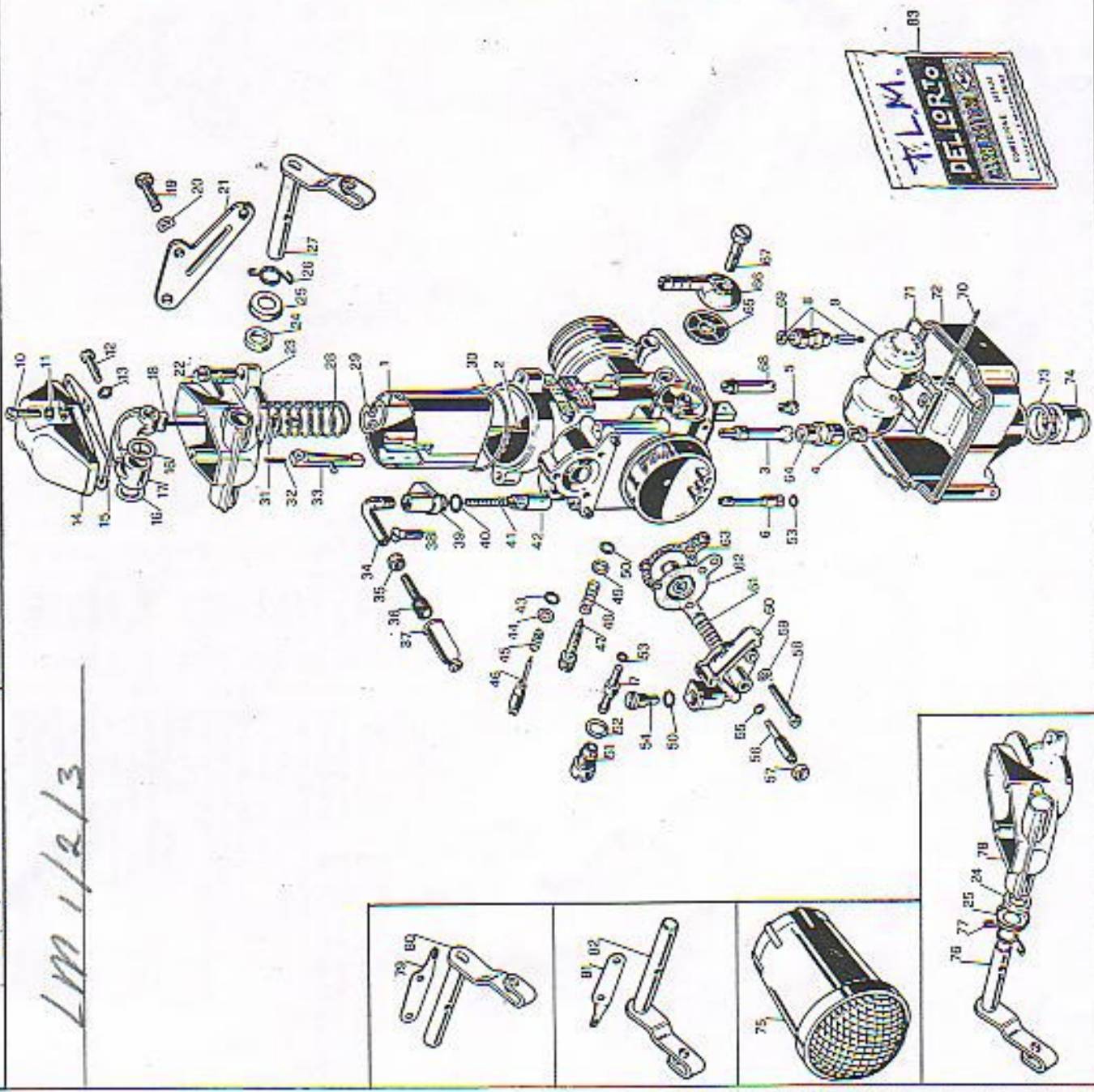
Diámetro difusori
36

Numero
PARTICOLARI DI TARATURA

Fig. Danonima 2.079

Azienda della DelOrto S.p.A. • Via S. Rocco N. 5 • 20038 Segrate (Milano) • Telefono (0362) 224001
Filiale e Stazione di Servizio: Via Melchiorre Gioia N. 61 • 20124 Milano • Telefono (02) 663103

LM 1/2/3



PARTICOLARI SENZA TARATURA

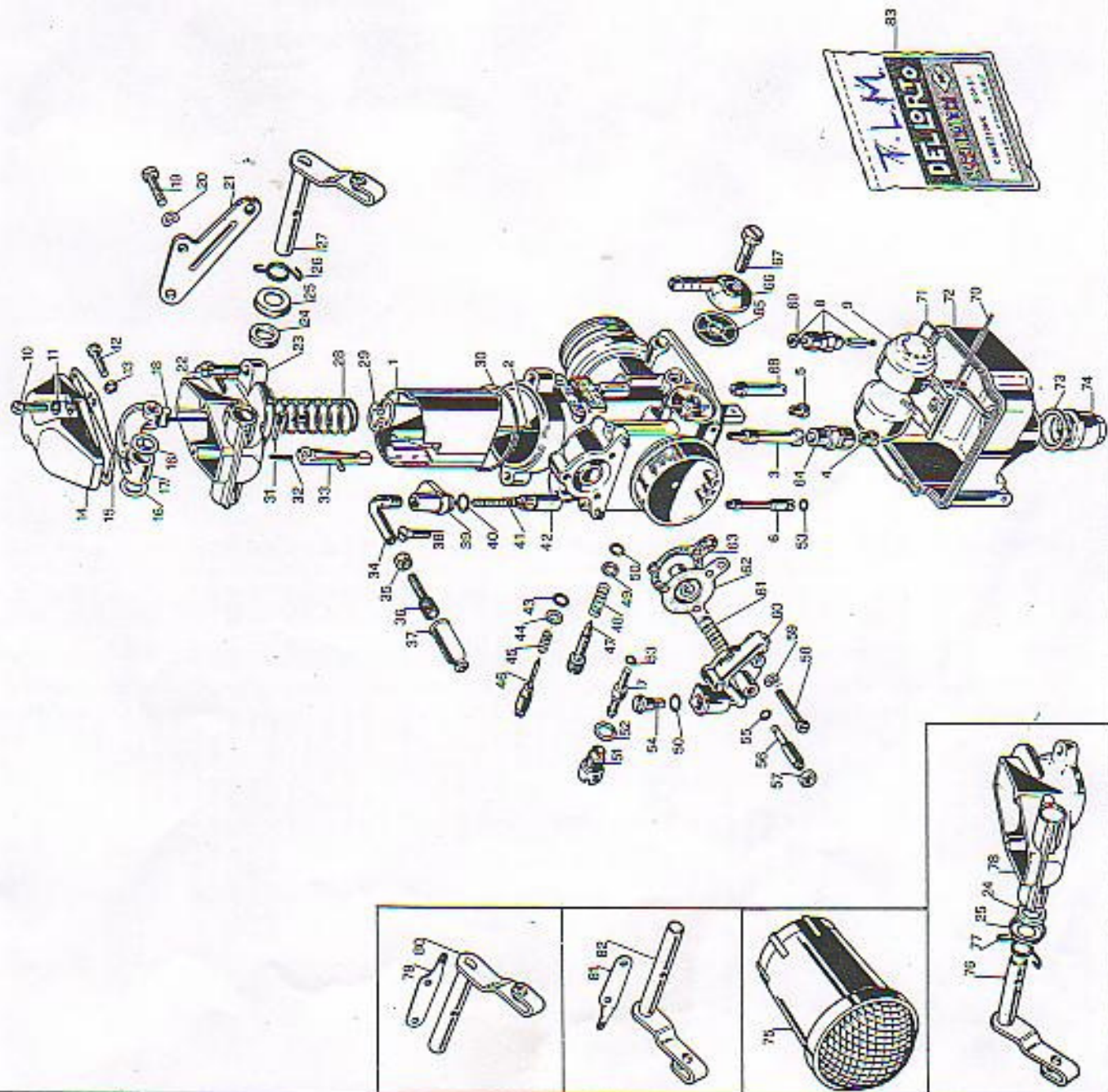
Numero
PARTICOLARI DI TARATURA

Fig. Danonima 2.079

1	8553 x 04	Valvola gas
2	8530 x 08	Spillo conico K
3	8540 x 20	Polverizzatore AB
4	6413 x 02	Getto massimo
5	1486 x 02	Getto minimo
6	7746 x 02	Getto avviamento
7	7851 x 02	Getto pompa
8	8649 x 33	Valvola a spillo
9	7450 x 80	Galleggiante

10	6429 - 36	Vite fiss. coporchietto
11	1581 - 23	Rondella elastica
12	6429 - 36	Vite fiss. leva com. gas
13	5011 - 23	Rondella elastica
14	8825 - 06	Coporchietto leva com. gas
15	*	Guarnizione coporchietto
16	*	Guarnizione leva com. gas
17	8830 - 26	Leva com. gas
18	8951 - 95	Tirante valvola gas
19	6435 - 36	Vite fiss. supporto
20	4957 - 23	Rondella elastica
21	8950 - 63	Supporto cavo com. gas
22	8542 - 36	Vite fiss. coporchio cam. miscela
23	8945 - 53	Coporchio cam. miscela
24	*	Guarnizione alberino com. gas
25	8727 - 08	Coporchietto guarnizione alberino
26	8948 - 61	Molla rich. alberino com. gas
27	8941 - 39	Alberino com. gas
28	9389 - 61	Molla rich. valvola gas
29	8525 - 21	Fermaglio spillo conico
30	*	Guarnizione coporchio cam. miscela
31	8535 - 22	Perno leva com. pompa
32	7415 - 61	Molla rich. leva pompa
33	8426 - 26	Leva com. pompa
34	8026 - 35	Tubetto deviatore
35	1692 - 27	Dado blocc. vite tendifilo
36	1481 - 37	Vite tendifilo
37	1476 - 06	Cappuccio cavo disp. avviam.
38	7745 - 36	Vite fiss. coporchio disp. avviam.
39	8295 - 08	Coporchio disp. avviam.
40	*	Guarnizione coporchio disp. avviam.
41	4043 - 61	Molla rich. valvola avviam.
42	3238 - 64	Valvola avviamento
43	*	Guarnizione vite reg. miscela minimo
44	8260 - 23	Rondella piana
45	7446 - 01	Molla vite reg. miscela minimo
46	7449 - 37	Vite reg. miscela minimo
47	7673 - 37	Vite reg. valvola gas
48	4670 - 61	Molla vite reg. valvola gas
49	4650 - 23	Rondella piana
50	*	Guarnizione vite reg. valv. gas e valv. mand.
51	7852 - 34	Portagetto pompa
52	*	Guarnizione portagetto pompa
53	*	Guarnizione getto pompa e getto disp. avv.
54	8558 - 33	Valvola manciata
55	*	Guarnizione vite reg. membrana pompa
56	8539 - 37	Vite reg. membrana pompa
57	8599 - 27	Dado blocc. vite reg. membrana
58	8428 - 38	Vite fiss. coporchio pompa

TLM



Denominazione

Numero

Fig.

Rondella elastica
 Copercchio pompa
 Molla membrana pompa
 Membrana pompa
 Guarnizione membrana pompa
 Portafiltro massimo
 Filtro benzina
 Pipetta racc. tubo benzina
 Vite fiss. pipetta
 Valvola aspirazione
 Guarnizione valvola a spillo
 Perno galleggianti
 Guarnizione vaschetta
 Vaschetta
 Guarnizione tappo fiss. vaschetta
 Tappo fiss. vaschetta
 Cornetto presa aria
 Alberino com. gas
 Molla rich. alberino com. gas
 Copercchio cam. miscela
 Supporto cavo com. gas (per carb. destro)
 Alberino com. gas (per carb. destro)
 Supporto cavo com. gas (per carb. sinistro)
 Alberino com. gas (per carb. sinistro)
 Busta guarnizioni
 Valvola gas

59 5011 - 23
 60 8556 - 67
 61 7626 - 61
 62 8555 - 44
 63
 64 8552 - 32
 65 6109 - 29
 66 9250 - 38
 67 4568 - 36
 68 8557 - 33
 69
 70 7346 - 22
 71
 72 7881 - 96
 73 4057 - 30
 74 8551 - 34
 75 8670 - 55
 76 8943 - 39
 77 8949 - 61
 78 8947 - 53
 79 10675 - 63
 80 10672 - 39
 81 10676 - 63
 82 10674 - 39
 83 52547 - 77
 1 11570 x 64



Agenda della Del'Orto S.p.A. • Via S. Rocco N. 5 • 20039 Seregno (Milano) • Telefono (0362) 224001
 Filiale e Stazione di Servizio: Via Melchiorre Gioia N. 61 • 20124 Milano • Telefono (02) 683103

DEL'ORTO CARBURATORI

CATALOGO RICAMBI CARBURATORI
DEL'ORTO
 MOTOVEICOLI

Tipo carburatore
PHM ... NS - PHM ... ND

Diametro diffusori
40

LM 45 1000 S

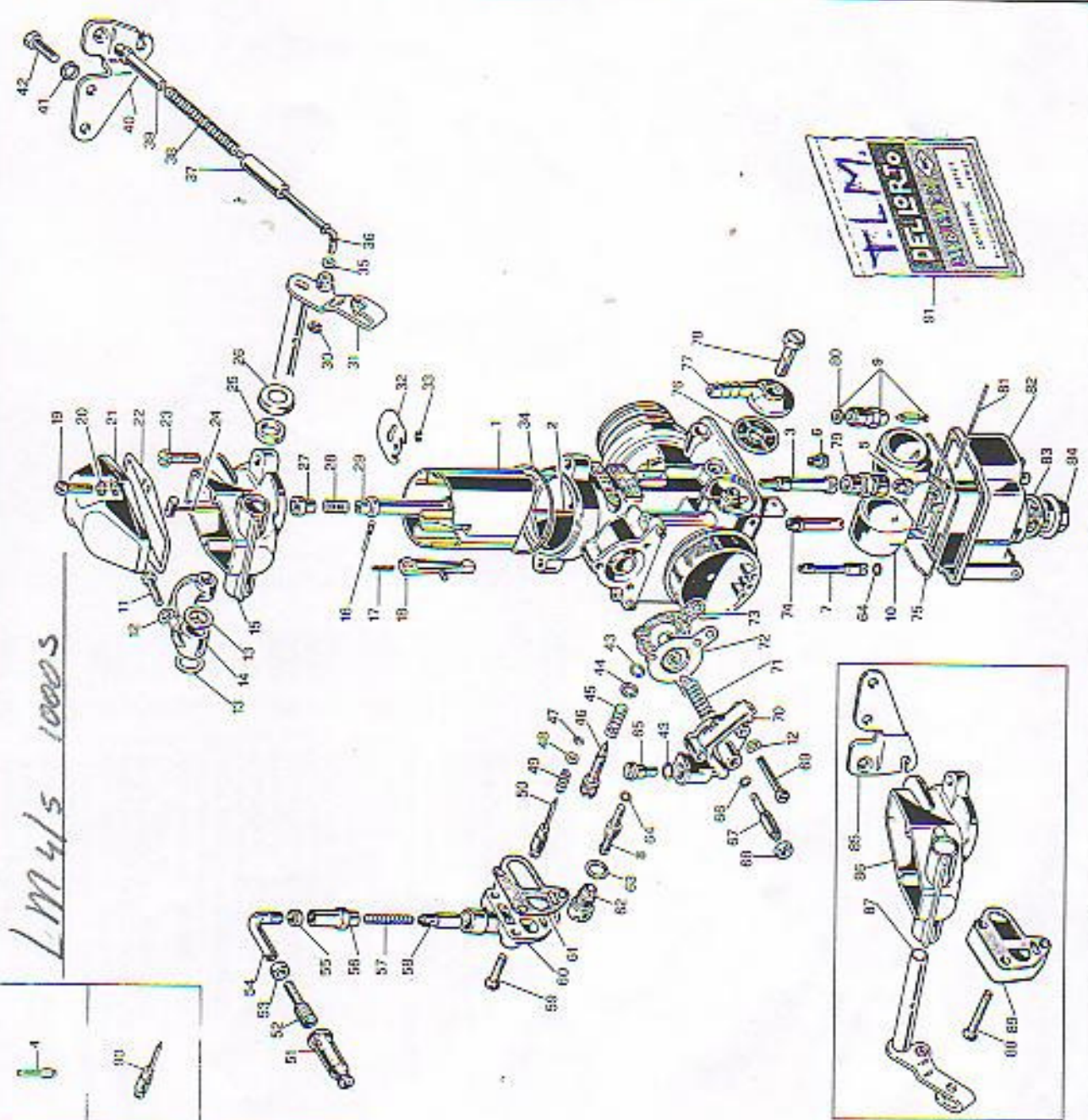


Fig.	Numero	Descrizione
PARTICOLARI DI TARATURA		
1	11790 x 64	Valvola gas
2	11804 x 64	Valvola gas
3	8530 x 08	Spillo conico K
4	8540 x 28	Polverizzatore AB 1
5	9980 x 28	Emulsificatore AB 1
6	6413 x 02	Getto massimo
7	1486 x 02	Getto minimo
8	7746 x 02	Getto avviamento
9	7851 x 02	Getto pompa
10	8049 x 33	Valvole a spillo 300
	7450 x 00	Galleggiante
PARTICOLARI SENZA TARATURA		
11	9042 - 36	Vite fissaggio leva comando gas
12	5011 - 23	Rondella
13		Guarnizione leva comando gas
14	8830 - 26	Leva comando gas
15	11798 - 53	Coperchio cam. miscela (per carb. sinistro)
16	8535 - 22	Perno leva comando pompa
17	7415 - 61	Molla richiamo leva pompa
18	0426 - 26	Leva comando pompa
19	6429 - 36	Vite fissaggio coperchietto
20	1581 - 23	Rondella elastica
21	8825 - 06	Coperchietto leva comando gas
22		Guarnizione coperchietto
23	8542 - 36	Vite fissaggio coperchio camera miscela
24	11779 - 24	Tirante valvola gas
25		Guarnizione alberino comando gas
26	8727 - 06	Coperchietto guarnizione alberino
27	10069 - 20	Bussola leva gas
28	9383 - 61	Molla bussola leva gas
29	11777 - 20	Bussola guida molla tirante valvola gas
30	10451 - 21	Anello dentato asta leva comando gas
31	11782 - 30	Alberino comando gas (per carb. sinistro)
32	11773 - 21	Piastrina ril. fermaglio spillo conico
33	9596 - 21	Fermaglio spillo conico
34		Guarnizione coperchio camera miscela
35	3718 - 23	Rondella piana
36	11776 - 51	Asta leva comando gas
37	11774 - 20	Bussola guida molla
38	11786 - 61	Molla richiamo leva comando gas
39	11775 - 20	Bussola guida molla
40	11787 - 63	Supporto cavo gas (per carb. sinistro)
41	4957 - 23	Rondella elastica
42	8435 - 36	Vite fissaggio supporto
43		Guarnizione vite reg. valv. gas e valv. mandata
44	4650 - 23	Rondella piana
45	4670 - 61	Molla vite regolazione valvola gas
46	7673 - 37	Vite regolazione valvola gas
47		Guarnizione vite regolazione miscela minimo
48	8260 - 23	Rondella piana
49	7446 - 61	Molla vite regolazione miscela minimo
50	7449 - 37	Vite regolazione miscela minimo
51	11377 - 06	Cappuccio cavo avviamento
52	1481 - 37	Vite tendifilo
53	1682 - 27	Dado bloccaggio vite tendifilo
54	3098 - 35	Tubetto deviatore
55	1691 - 27	Dado bloccaggio tubetto deviatore
56	3128 - 34	Coperchietto dispositivo avviamento

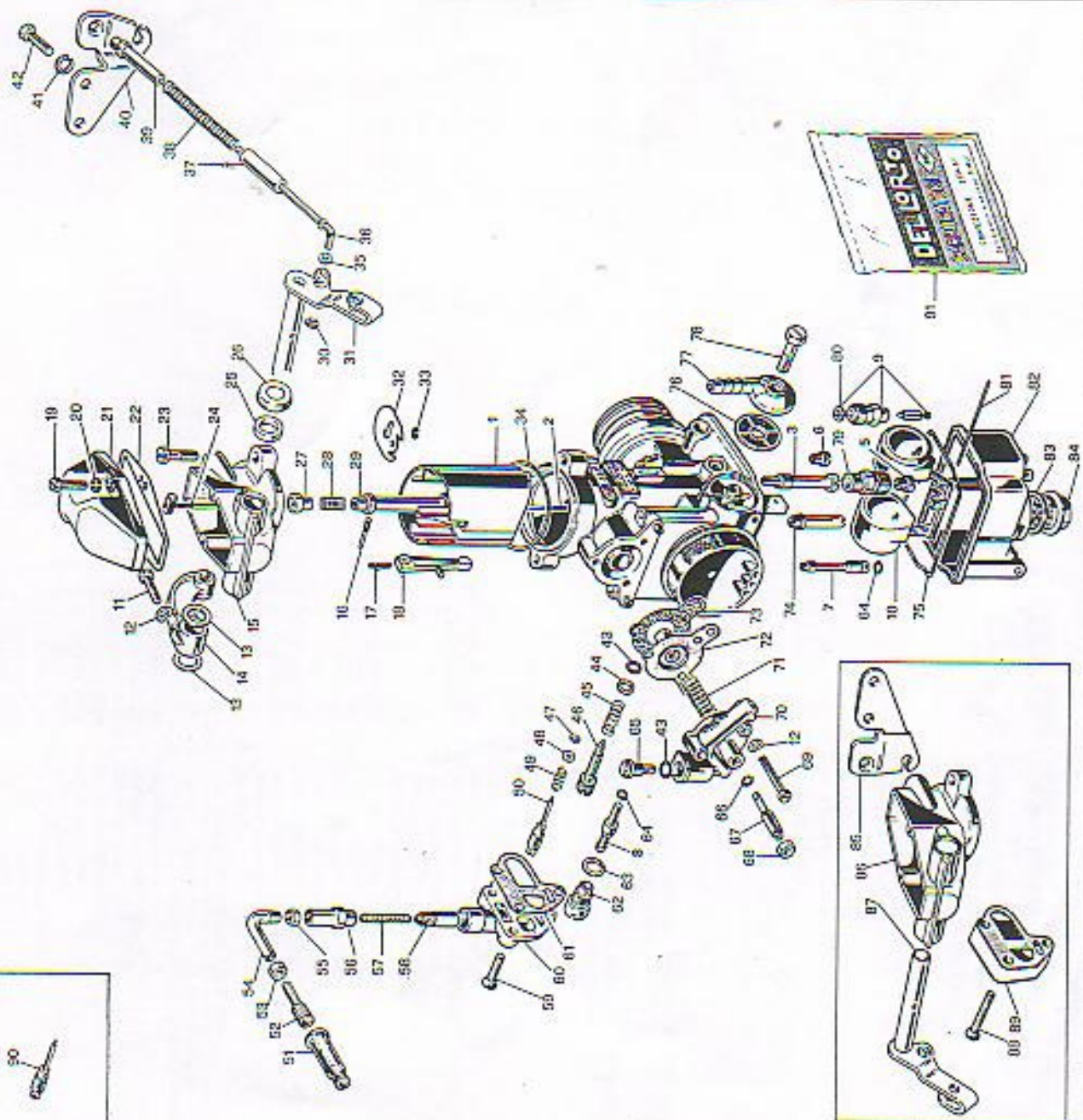


Fig.	Numero
57	3133 - 61
58	3238 - 64
59	8711 - 36
60	8887 - 56
61	•
62	10747 - 34
63	•
64	•
65	10900 - 33
66	•
67	8539 - 37
68	8599 - 27
69	8428 - 36
70	8556 - 67
71	7826 - 61
72	8555 - 44
73	•
74	8557 - 33
75	•
76	6109 - 29
77	9250 - 38
78	4568 - 36
79	8885 - 32
80	•
81	7346 - 22
82	10557 - 96
83	•
84	10238 - 34
85	11788 - 63
86	11799 - 53
87	11785 - 39
88	11650 - 36
89	11651 - 58
90	9908 - 37
91	52560 - 77

Descrizione
Molla richiamo valvola avviamento
Valvola avviamento
Vite fiss. corpo disp. avviam. (per carb. sinistro)
Corpo dispositivo avviamento
Guarnizione corpo disp. avviam. (per carb. sinist.)
Portagetto pompa
Guarnizione portagetto pompa
Guarnizione getta pompa e getto avviamento
Valvola mandata
Guarnizione vite reg. membrana pompa
Vite regolazione membrana pompa
Dado bloccaggio vite regolazione membrana
Vite fissaggio coperchio pompa
Coperchio pompa
Molla membrana pompa
Membrana pompa
Guarnizione membrana pompa
Valvola aspirazione
Guarnizione vaschetta
Filtro benzina
Pipetta raccordo tubo benzina
Vite fissaggio pipetta
Portagetto massimo
Guarnizione valvola a spillo
Perno galleggiante
Vaschetta
Guarnizione tappo fissaggio vaschetta
Tappo fissaggio vaschetta
Supporto cavo gas (per carb. destro)
Coperchio cam. miscela (per carb. destro)
Alberino cam. gas (per carb. destro)
Vite fiss. corpo disp. avviam. (per carb. destro)
Guarnizione distanziale (per carb. destro)
Vite regolazione miscela minimo
Busta guarnizioni

○ Sostituisce la precedente serie VHBT ... CS/CD che prevedeva il montaggio dello spillo chiusura benzina 4539 - 05 anziché l'attuale valvola a spillo 9436 x 33.

T3 enz.

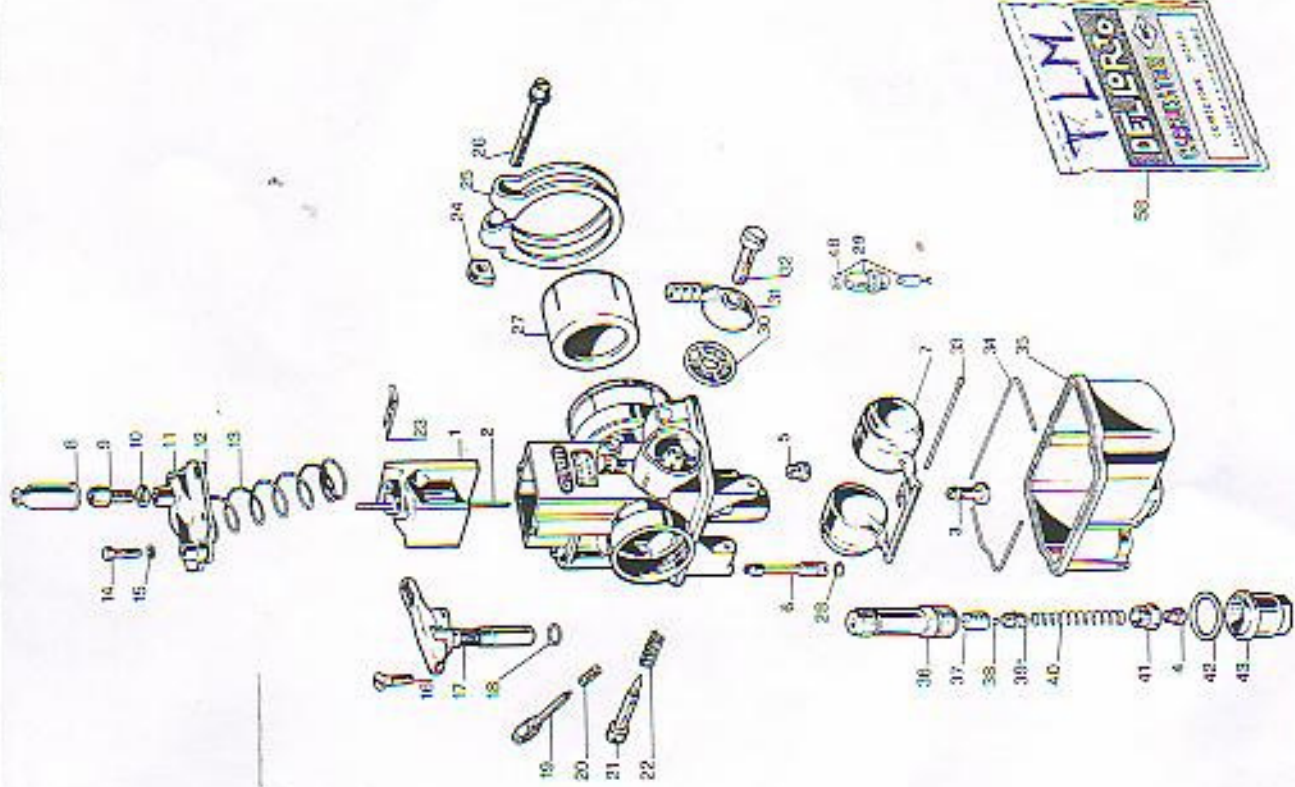
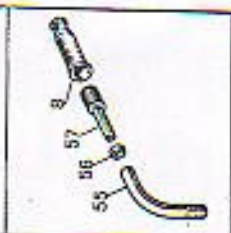
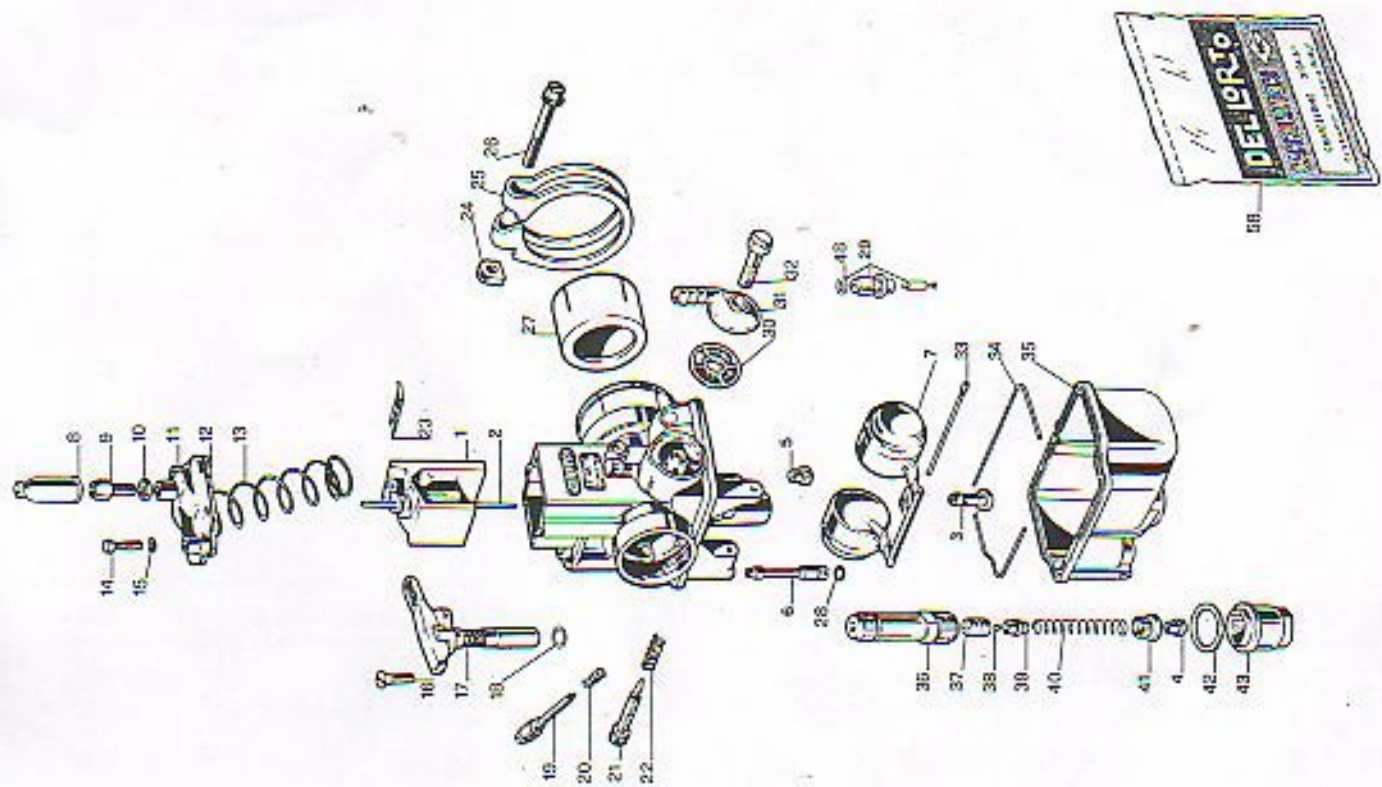


Fig.	Numero	Denominazione
PARTICOLARI DI TARATURA		
1	7454 x 64	Valvola gas
2	9912 x 64	Valvola gas (per spillo in appoggio)
3	7455 x 00	Spillo conico V
4	7078 x 28	Polverizzatore
5	1486 x 02	Getto massimo
6	1486 x 02	Getto minimo
7	7746 x 02	Getto avviamento
	7450 x 80	Galleggiante
PARTICOLARI SENZA TARATURA		
8	1476 - 06	Cappuccio cavo gas
9	1104 - 37	Vite landillo
10	1691 - 27	Dado blocc. vite landillo
11	7338 - 53	Coperchio cam. miscela (zama)
12	1493-22-00	Guarnizione coperchio cam. miscela
13	7448 - 61	Molla rich. valvola gas
14	3978 - 36	Vite fiss. coperchio cam. miscela
15	5011 - 23	Rondella elastica
16	7745 - 36	Vite fiss. disp. avviamento
17	8293 - 64	Dispositivo avviamento
18	8297 - 30	Guarnizione disp. avviamento
19	7449 - 37	Vite reg. miscela minimo
20	7446 - 61	Molla vite reg. miscela minimo
21	7673 - 37	Vite reg. valvola gas
22	4670 - 61	Molla vite reg. valvola gas
23	1407 - 21	Fermaglio spillo conico
24	8128 - 27	Plastrina vite serr. anello
25	8142 - 50	Anello serr. manico
26	8127 - 36	Vite serr. anello
27	7453 - 62	Riduzione isolante (da Ø 40 a Ø 36)
28	8434 - 62	Riduzione isolante (da Ø 40 a Ø 37)
29	6173-30	Guarnizione getto avviamento
30	9436 x 33	Valvola a spillo
31	6109 - 29	Filtro benzina
32	9250 - 38	Pipetta racc. tubo benzina
33	4568 - 36	Vite fiss. pipetta
34	7346 - 22	Perno galleggiante
35	7001 - 96	Guarnizione vaschetta
36	7079 - 32	Vaschetta
	8430 - 32	Corpo pompa
	9325 - 32	Corpo pompa (n° 1 rigatura)
	7831 - 64	Corpo pompa (n° 2 rigature)
37	7185 - 03	Pistoncino pompa
38	7832 - 33	Valvola a sfera
39	7832 - 33	Sede valvola
40	7028 - 61	Molla pistoncino
41	7028 - 34	Tappo portafetto massimo
42	4057-30	Guarnizione tappo fiss. vaschetta
43	7880 - 34	Tappo fiss. vaschetta
44	8295 - 06	Coperchio disp. avviamento
45	4043 - 61	Molla valvola avviamento
46	3238 - 64	Valvola avviamento
47	1950 - 02	Raccordo presa aria
48		Guarnizione valvola a spillo
49	9908 - 37	Vite reg. miscela minimo
50	8260 - 23	Rondella piana
51		Guarnizione vite reg. miscela minimo
52		Guarnizione riduzione isolante
53	9910 - 62	Riduzione isolante (da Ø 40 a Ø 37)
54	10921 - 53	Coperchio cam. miscela (hostalorm)

Fig.	Numero	Denominazione
55	3600 - 35	Tubetto deviatore
56	1692 - 27	Dado blocc. vite lardifilo
57	1481 - 37	Vite lardifilo
58	52510 - 77	Busta guarnizioni



• Compresa nella busta guarnizioni

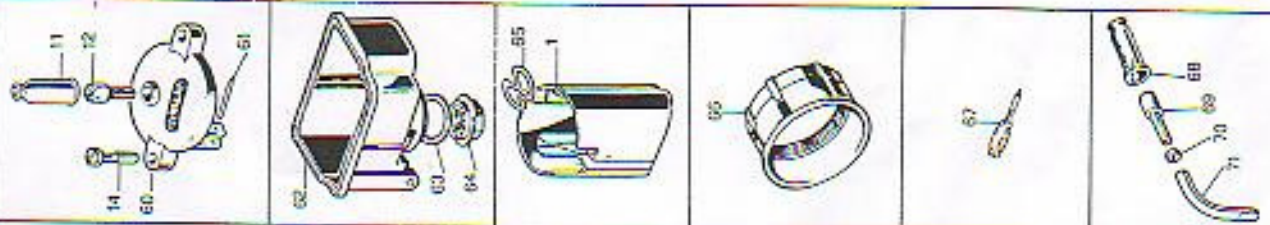
seguito 1.30.22.540

CATALOGO RICAMBI CARBURATORI
DELORTO
 MOTOVEICOLI

Tipo carburatore
PHF ... DD - PHF ... DS

Diametro diffusori
30 - 32

Fig. Numero Denominazione
PARTICOLARI DI TARATURA

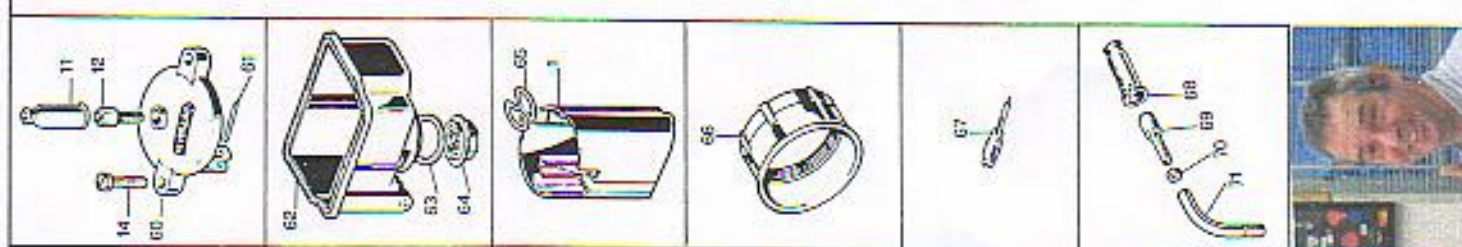
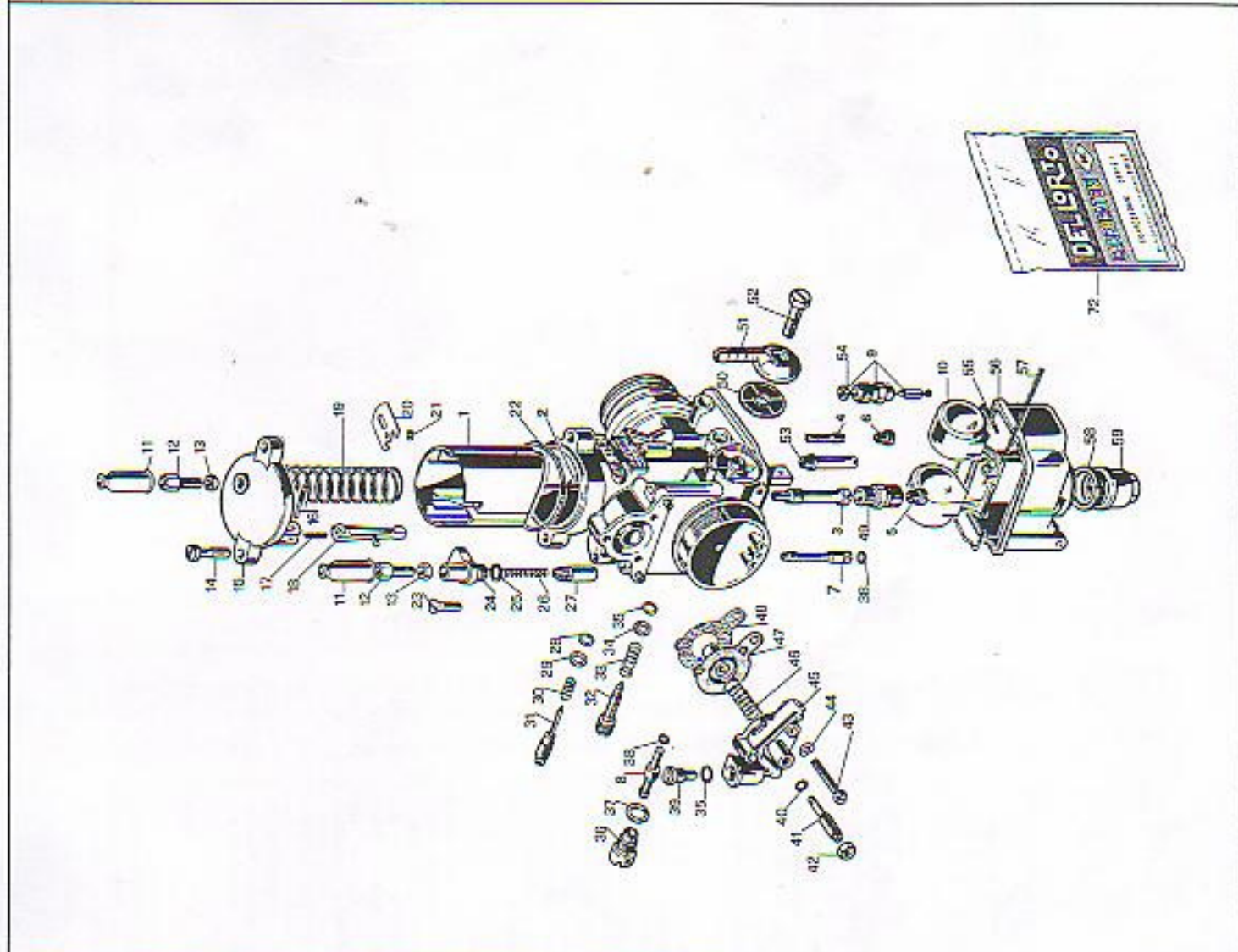


T5 SPR Cal 3



Fig.	Numero	Denominazione
PARTICOLARI DI TARATURA		
1	10352 x 64	Valvola gas
2	11462 x 64	Valvola gas (scarico posteriore 2 x 1,5)
3	8530 x 08	Spillo conico K
4	8540 x 28	Polverizzatore AB 1
5	9900 x 28	Emulsionatore minimo
6	6413 x 02	Getto massimo
7	1488 x 02	Getto minimo
8	7746 x 02	Getto avviamento
9	7651 x 02	Getto pompa
10	8649 x 33	Valvola a spillo
	7450 x 80	Galleggiante
PARTICOLARI SENZA TARATURA		
11	1476 - 06	Cappuccio cavo gas
12	1104 - 37	Vite tendilillo
13	1691 - 27	Dado blocc. vite tendilillo
14	8542 - 36	Vite fiss. coperchio cam. miscela
15	8519 - 53	Coperchio cam. miscela (alluminio)
16	8535 - 22	Perno leva com. pompa (par coperchio 8519-53)
17	7415 - 61	Molla rich. leva pompa
18	0522 - 26	Leva com. pompa
19	8550 - 61	Molla rich. valvola gas (kg. 0,7 a mm. 70)
20	8532 - 61	Molla rich. valvola gas (kg. 1,1 a mm. 70)
21	10348 - 21	Plastrina ril. lermaglio spillo conico
22	9596 - 21	Fermaglio spillo conico (par valvola 10352)
23	*	Guarnizione coperchio cam. miscela
24	7745 - 36	Coperchio disp. avviamento
25	8295 - 06	Guarnizione coperchio disp. avviamento
26	4043 - 61	Molla rich. valvola avviamento
27	3238 - 54	Valvola avviamento
28	*	Guarnizione vite reg. miscela minimo
29	8260 - 23	Rondella piana
30	7446 - 61	Molla vite reg. miscela minimo
31	9908 - 37	Vite reg. miscela minimo
32	7673 - 37	Vite reg. valvola gas
33	4670 - 61	Molla vite reg. valvola gas
34	4650 - 23	Rondella piana
35	*	Guarnizione vite reg. valv. gas e valv. mandata
36	10747 - 34	Portagetto pompa
37	*	Guarnizione portagetto pompa
38	*	Guarnizione getto pompa e getto disp. avv.
39	10800 - 33	Valvola mandata
40	*	Guarnizione vite reg. membrana pompa
41	8539 - 37	Vite reg. membrana pompa
42	8599 - 27	Dado blocc. vite reg. membrana pompa
43	8420 - 36	Vite fiss. coperchio pompa
44	5011 - 23	Rondella elastica
45	8556 - 67	Coperchio pompa
46	7626 - 61	Molla membrana pompa
47	8555 - 44	Membrana pompa
48	*	Guarnizione membrana pompa
49	8552 - 32	Portagetto massimo
50	8885 - 32	Portagetto massimo (per mont. lappo 10236-34)
51	6109 - 29	Filtro benzina
52	9258 - 38	Pipetta racc. tubo benzina
53	4568 - 36	Vite fiss. pipetta
54	8557 - 33	Valvola aspirazione
55	*	Guarnizione valvola a spillo
	*	Guarnizione vaschetta

Fig.	Numero	Denominazione
56	7881 - 96	Vaschetta
57	7346 - 22	Perno galleggiante
58	4057 - 30	Guarnizione tappo fiss. vaschetta
59	8551 - 34	Tappo fiss. vaschetta
60	10922 - 53	Coperchio cam. miscela (floatarm)
61	10924 - 22	Perno leva com. pompa (per coperchio 10922-53)
62	10557 - 96	Vaschetta
63		Guarnizione tappo fiss. vaschetta
64	10238 - 34	Tappo fiss. vaschetta
65	8525 - 21	Fermaglio spilo conico (per valvola 11462)
66	11240 - 82	Raccordo presa aria
1	8553 x 64	Valvola gas
	10999 x 64	Valvola gas (smusso mm 2,5 x 8°)
3	11860 x 20	Polverizzatore AB1
67	7449 - 37	Vite reg. miscela minimo
68	8222 - 06	Capuccio cavo gas
69	1481 - 37	Vite tendifilo
70	1692 - 27	Dado blocc. vite tendifilo
71	3698 - 35	Tubetto deviatore
72	52547 - 77	Busta guarnizioni
	11570 x 64	Valvola gas
	12206 x 64	Valvola gas
	12209 x 64	Valvola gas



• Compresa nella busta guarnizioni

CATALOGO RICAMBI CARBURATORI
DELORIO
 MOTOVEICOLI

Sp II

Tipo carburatore
PHF ...BD - PHF ...DS

Diámetro diffusori
36

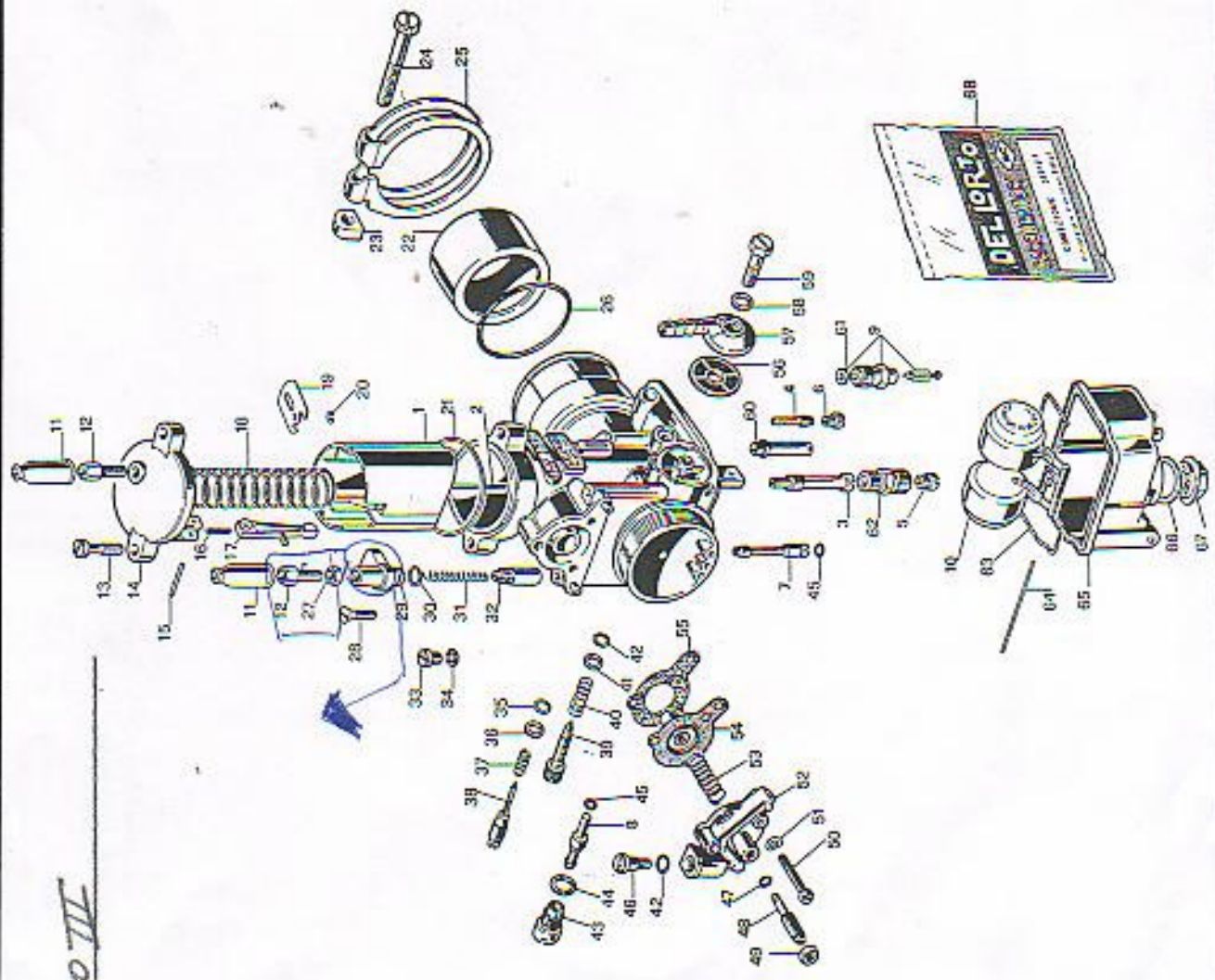
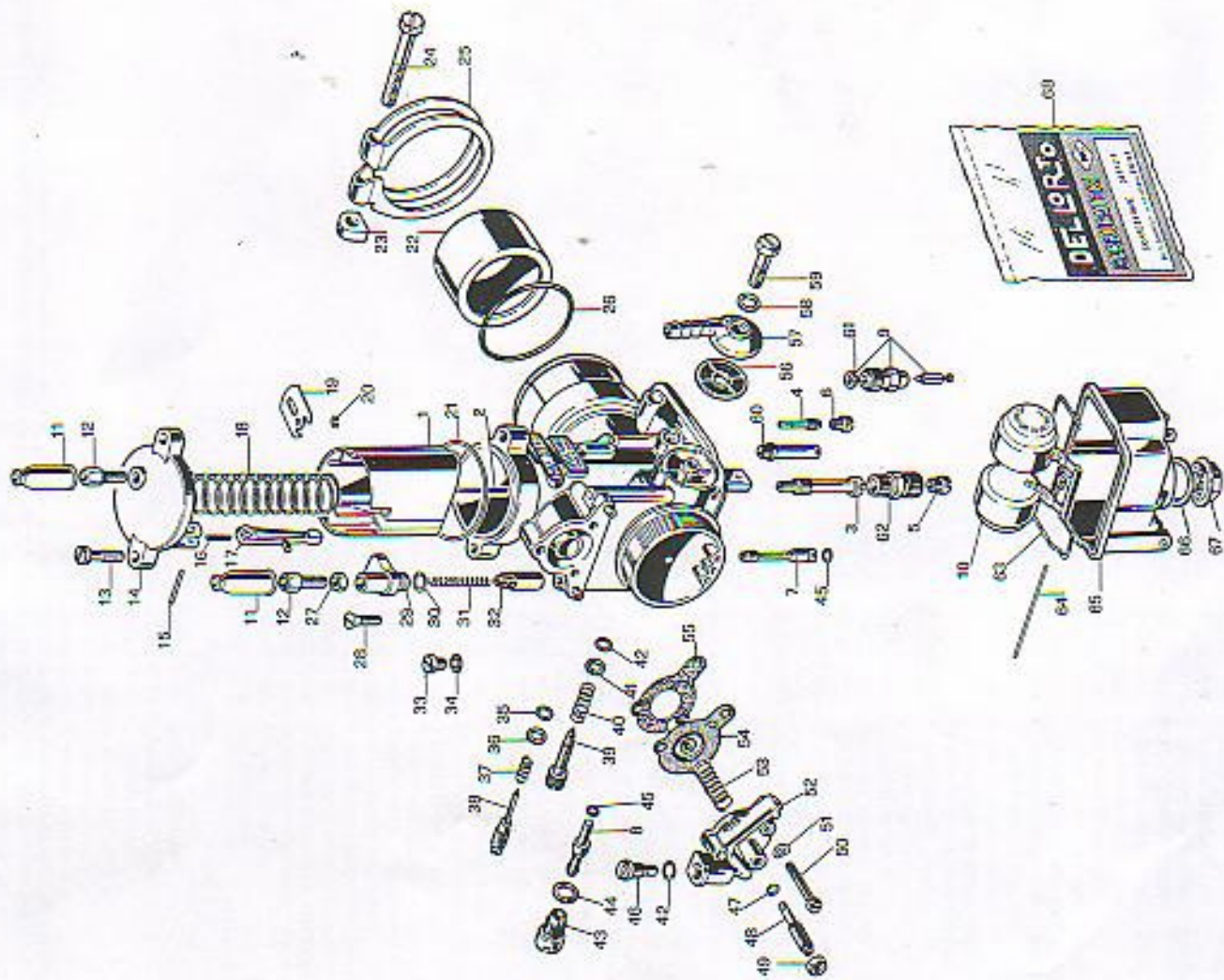


Fig.	Numero	Descrizione
PARTICOLARI DI TARATURA		
1	10352 x 64	Valvola gas
2	0530 x 08	Spillo conico K
3	8540 x 28	Polverizzatore AB 1
4	9980 x 28	Emulsionatore minimo
5	6413 x 02	Getto massimo
6	1486 x 02	Getto minimo
7	7746 x 02	Getto avviamento
8	7951 x 02	Getto pompa
9	0649 x 33	Valvola a spillo
10	7450 x 60	Galleggiante
PARTICOLARI SENZA TARATURA		
11	1476 - 06	Cappuccio
12	1104 - 37	Vite tendifllo
13	8542 - 36	Vite fiss. coperechio cam. miscela
14	10922 - 53	Coperechio cam. miscela
15	10924 - 22	Perno leva cam. pompa
16	7415 - 61	Molla rich. lava pompa
17	0426 - 26	Leva cam. pompa
18	8550 - 61	Molla rich. valvola gas
19	10340 - 21	Piastrina rit. fermaglio spillo conico
20	9596 - 21	Fermaglio spillo conico
21	*	Guarnizione coperechio cam. miscela
22	9985 - 62	Riduzione isolante
23	8128 - 27	Piastrina vite serr. anello
24	8127 - 36	Vite serr. anello
25	8527 - 50	Anello serr. manico
26	*	Guarnizione riduzione isolante
27	1691 - 27	Dado blocc. vite tendifllo
28	7745 - 36	Vite fiss. disp. avviamento
29	8295 - 06	Coperechio disp. avviamento
30	*	Guarnizione coperechio disp. avviamento
31	4043 - 61	Molla rich. valvola avviamento
32	3238 - 64	Valvola avviamento
33	8679 - 36	Tappo presa pressione
34	*	Guarnizione teppo presa pressione
35	*	Guarnizione vite reg. miscela minimo
36	8260 - 23	Rondella piana
37	7446 - 61	Molla vite reg. miscela minimo
38	7449 - 37	Vite reg. miscela minimo
39	7673 - 37	Vite reg. valvola gas
40	4670 - 61	Molla vite reg. valvola gas
41	4650 - 23	Rondella piana
42	*	Guarnizione vite reg. valv. gas e valv. mandata
43	10747 - 34	Portagetto pompa
44	*	Guarnizione portagetto pompa
45	*	Guarnizione getto pompa e getto avviamento
46	10800 - 33	Valvola manciata
47	*	Guarnizione vite reg. membrana pompa
48	8539 - 37	Vite reg. membrana pompa
49	8599 - 27	Dado blocc. vite reg. membrana pompa
50	8428 - 36	Vite fiss. coperechio pompa
51	5011 - 23	Rondella elastica
52	8556 - 67	Coperechio pompa
53	7626 - 61	Molla membrana pompa
54	8555 - 44	Membrana pompa
55	*	Guarnizione membrana pompa
56	8109 - 29	Filtro borzina
57	6273 - 38	Pipetta racc. lubo benzina
58	*	Guarnizione vite fiss. pipetta

Fig.	Numero	Descrizione
59	4568 - 36	Vite fiss. pipetta
60	8557 - 33	Valvola aspirazione
61	*	Guarnizione valvola a spillo
62	8885 - 32	Portagetto massimo
63	*	Guarnizione vaschetta
64	7346 - 22	Perno galleggiante
65	10557 - 96	Vaschetta
66	*	Guarnizione lappo fiss. vaschetta
67	10238 - 34	Tappo fiss. vaschetta
68	52547 - 77	Busta guarnizioni



• Compresa nella busta guarnizioni

CATALOGO RICAMBI CARBURATORI
DEL'ORTO
 MOTOCICCOLI

Tipo carburatore
PHBH ... BS - PHBH ... BD

Diametro diffusori
26 - 27 - 28 - 29 - 30

Denominazione
PARTICOLARI DI TARATURA

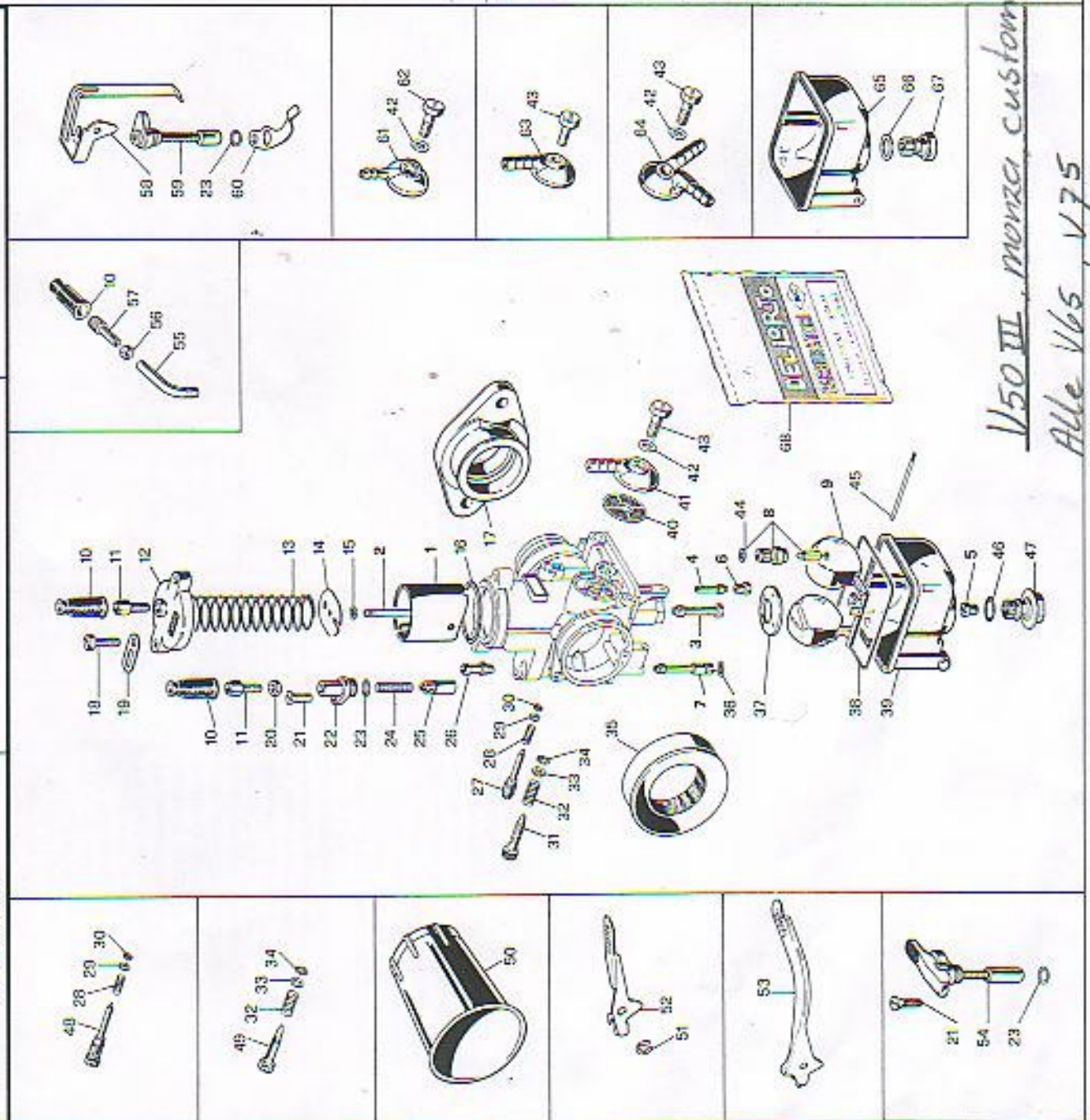


Fig.	Numero	Denominazione
PARTICOLARI DI TARATURA		
1	9374 x 64	Valvola gas
	10152 x 04	Valvola gas (con scarico posteriore)
	10680 x 04	Valvola gas (per carb. anti-inquinamento)
	11386 x 04	Valvola gas
	11658 x 04	Valvola gas
	12224 x 64	Valvola gas
2	9477 x 08	Spillo conico X
3	7456 x 28	Polverizzatore M (per motori 2 l.)
	7790 x 28	Polverizzatore P
	7972 x 20	Polverizzatore T
	9423 x 28	Polverizzatore AS (per motori 2 l.)
	9695 x 28	Polverizzatore AV (per motori 2 l.)
	9879 x 28	Polverizzatore BC (per motori 2 l.)
	10174 x 28	Polverizzatore BN (per motori 2 l.)
	10575 x 28	Polverizzatore CE (per motori 2 l.)
	10654 x 28	Polverizzatore CF (per motori 2 l.)
	11878 x 28	Polverizzatore CV (per motori 2 l.)
	12182 x 28	Polverizzatore DF (per motori 2 l.)
4	9980 x 28	Emulsionatore minimo
5	6413 x 02	Getto massimo
6	1486 x 02	Getto minimo
7	7746 x 02	Getto avviamento
	8094 x 02	Getto avviamento
8	8649 x 33	Valvola a spillo
	9436 x 33	Valvola a spillo (molleggiato)
9	9010 x 80	Galleggiante
PARTICOLARI SENZA TARATURA		
10	1476 - 06	Cappuccio cavo gas e avviamento
11	1104 - 37	Vite tendifilto
12	9372 - 53	Coperchio camera miscela
13	8532 - 61	Molla richiamo valvola gas (Kg. 1,7 a mm. 35)
	8550 - 61	Molla richiamo valvola gas (Kg. 1,15 a mm. 36)
	9425 - 61	Molla richiamo valvola gas (Kg. 1,2 a mm. 25)
	9806 - 61	Molla richiamo valvola gas (Kg. 0,7 a mm. 35)
14	9375 - 21	Piastrina al termaglio spillo conico
15	9596 - 21	Fermaglio spillo conico
16	*	Guarnizione coperchio cam. miscela
17	10577 - 82	Raccordo a flangia in gomma (inter. mm. 60)
18	8542 - 36	Vite fissaggio coperchio camera miscela
19	9829 - 21	Piastrina rt. tubetto aria vaschetta
20	1691 - 27	Dado bloccaggio vite tendifilto
21	7745 - 36	Vite fissaggio dispositivo avviamento
22	8295 - 06	Coperchio dispositivo avviamento
23	*	Guarnizione dispositivo avviamento
24	3133 - 61	Molla valvola avviamento (Kg. 1,8 a mm. 10)
25	12387 - 61	Molla valvola avviamento (Kg. 0,600 a mm. 14)
26	3238 - 64	Valvola avviamento
27	9679 - 38	Raccordo presa pressione
28	7449 - 37	Vite regolazione miscela minimo
29	7446 - 61	Molla vite regolazione miscela minimo
30	8260 - 23	Rondella piana
31	*	Guarnizione vite reg. miscela minimo
32	7673 - 37	Vite reg. valvola gas
33	4670 - 61	Molla vite reg. valvola gas
34	4650 - 23	Rondella piana
35	*	Guarnizione vite reg. valvola gas
36	10001 - 82	Raccordo presa aria
37	9996 - 52	Guarnizione getto avviamento Fondello

V50 III, monza custom
Alle V65, V75

Fig.	Numero	Denominazione
		Guarnizione vaschetta
	11770 - 96	Vaschetta
	6109 - 29	Filtro benzina
	6273 - 38	Pipetta racc. tubo benzina ø 8,5 (zama)
	•	Guarnizione vite fiss. pipetta
	4568 - 36	Vite fiss. pipetta (mm. 21)
	•	Guarnizione valvola a spillo
	7346 - 22	Perno galleggiante
	•	Guarnizione tappo fiss. vaschetta
	11771 - 34	Tappo fiss. vaschetta
	9844 - 37	Vite regolazione miscela minimo
	9122 - 37	Vite regolazione valvola gas
	9543 - 55	Cornetto presa aria
	5495 - 21	Fermaglio leva com. dispositivo avviamento
	9327 - 26	Leva comando dispositivo avviamento
	11885 - 26	Leva comando dispositivo avviamento
	8294 - 64	Dispositivo avviamento
	3600 - 35	Tubetto deviatore (70°)
	3698 - 35	Tubetto deviatore (30°)
	9330 - 35	Tubetto deviatore (40°)
	1682 - 27	Dado bloccaggio vite tendilillo
	1481 - 37	Vite tendilillo
	9896 - 26	Leva comando dispositivo avviamento
	8730 - 64	Dispositivo avviamento
	9704 - 61	Molla leva comando dispositivo avviamento
	8752 - 38	Pipetta racc. tubo benzina ø 6 (zama)
	4053 - 36	Vite fiss. pipetta (mm. 18)
	9250 - 38	Pipetta racc. tubo benzina ø 8,5 (hostalform)
	7890 - 38	Pipetta racc. tubo benzina ø 8,5
	9426 - 96	Vaschetta
	•	Guarnizione tappo fiss. vaschetta
	6267 - 34	Tappo fiss. vaschetta
	52523 - 77	Busta guarnizioni

